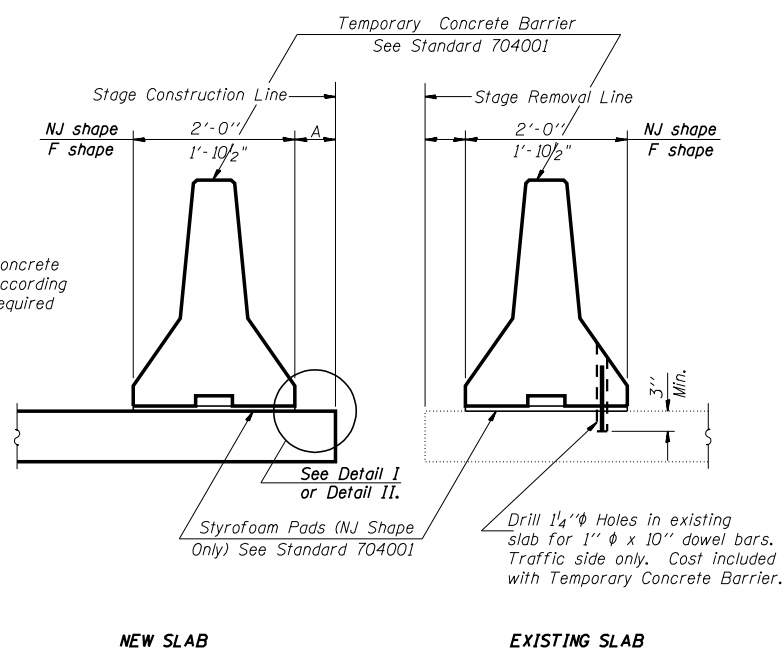
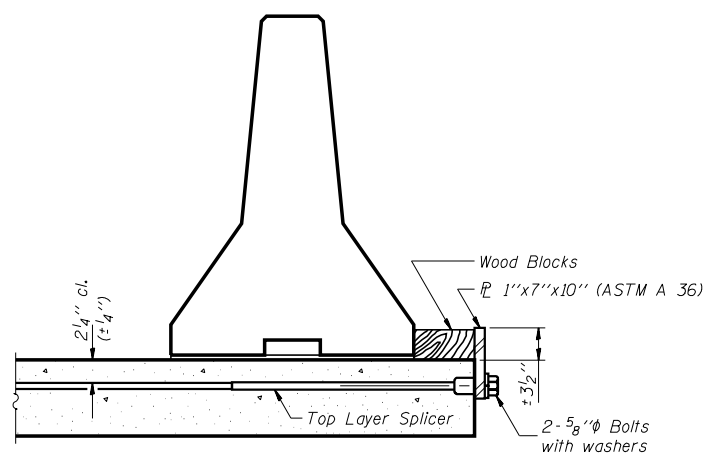


F.A.P. RTE.	SECTION	COUNTY	TOTAL SHEETS	SHEET NO.
709	105BR-5	CHAMPAIGN	31	19
STA.		TO STA.		
FED. ROAD DIST. NO.	ILLINOIS	FED. AID PROJECT		
CONTRACT 90933		SHEET 9 OF 11 SHEETS		

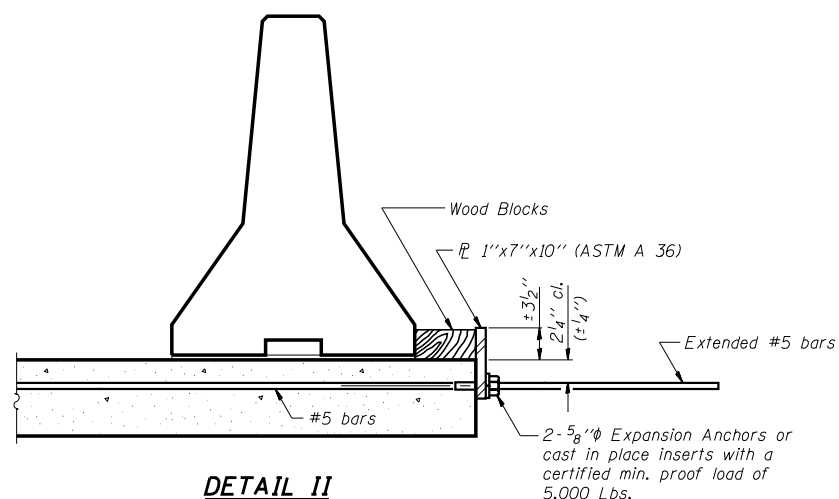
When "A" is 3'-6" or less, the temporary concrete barrier shall be anchored to the new slab according to Detail I or Detail II. No anchorage is required when "A" is greater than 3'-6".



**SECTIONS THRU SLAB**

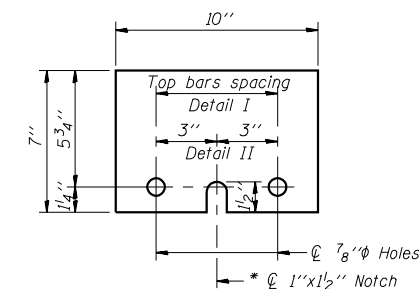


**DETAIL I**  
The 1"x7"x10" Plate shall not be removed until Stage II Construction forms and reinforcement bars are in place.



**DETAIL II**  
The 1"x7"x10" Plate shall not be removed until Stage II Construction forms and all reinforcement bars are in place and the concrete is ready to be placed.

**NOTES**  
Detail I - With Bar Splicer or Couplers:  
Connect one (1) 1"x7"x10" steel  $\bar{P}$  to the top layer of couplers with 2-5/8" bolts screwed to coupler at approximate  $\bar{C}$  of each barrier panel.  
Detail II - With Extended Reinforcement Bars:  
Connect one (1) 1"x7"x10" steel  $\bar{P}$  to the concrete slab with 2-5/8" Expansion Anchors or cast in place inserts spaced between the top layer of reinforcement at approximate  $\bar{C}$  of each barrier panel.  
Cost of anchorage is included with Temporary Concrete Barrier.



**P 1"x7"x10"**  
\* Required only with Detail II

REVISIONS	
NAME	DATE