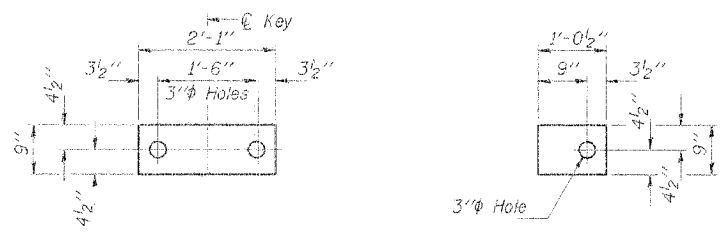


ROUTE NO.	SECTION	COUNTY	SHEETS	NO.
TR318A	*	Vermilion	12	7
FILED AND DATE		FILED BY	PROJECT	

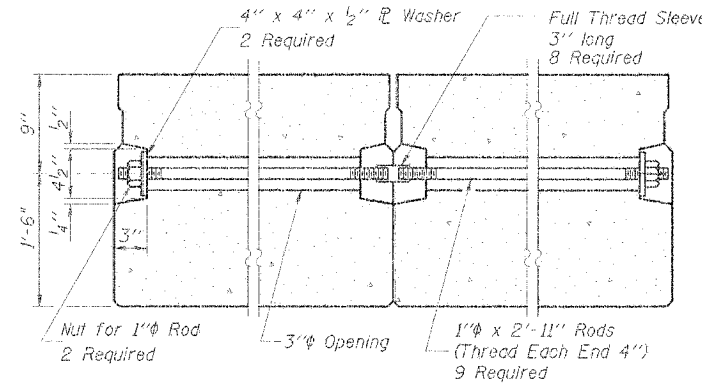
\*00-06121-00-BR



FABRIC BEARING PAD (Interior)

FABRIC BEARING PAD (Exterior)

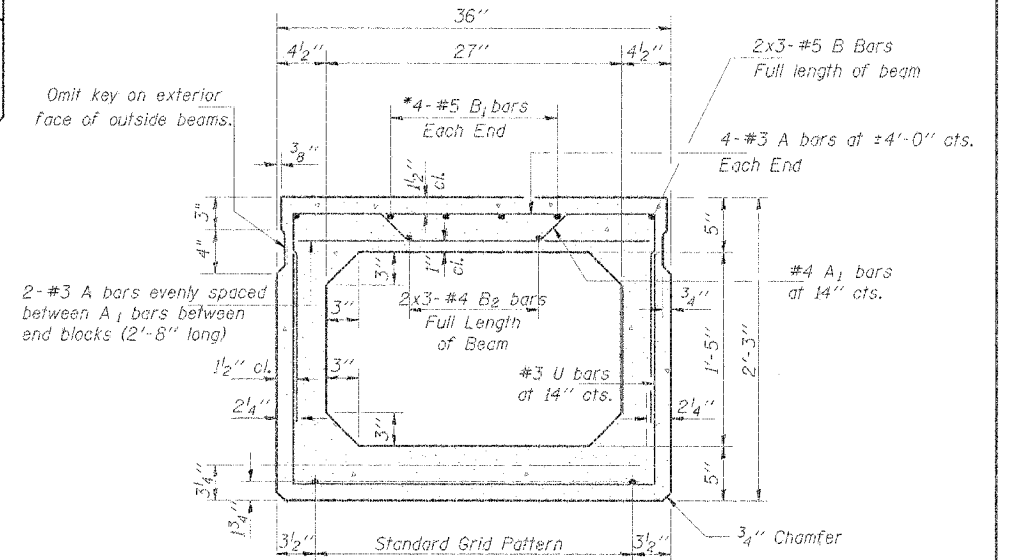
FIXED



TYPICAL TRANSVERSE TIE ASSEMBLY

\*\* Dowel rods to be grouted after beams are in place and prior to grouting the shear keys

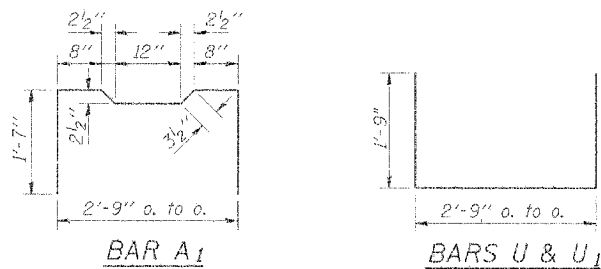
\*0.2 x Length of beam



TYPICAL SECTION

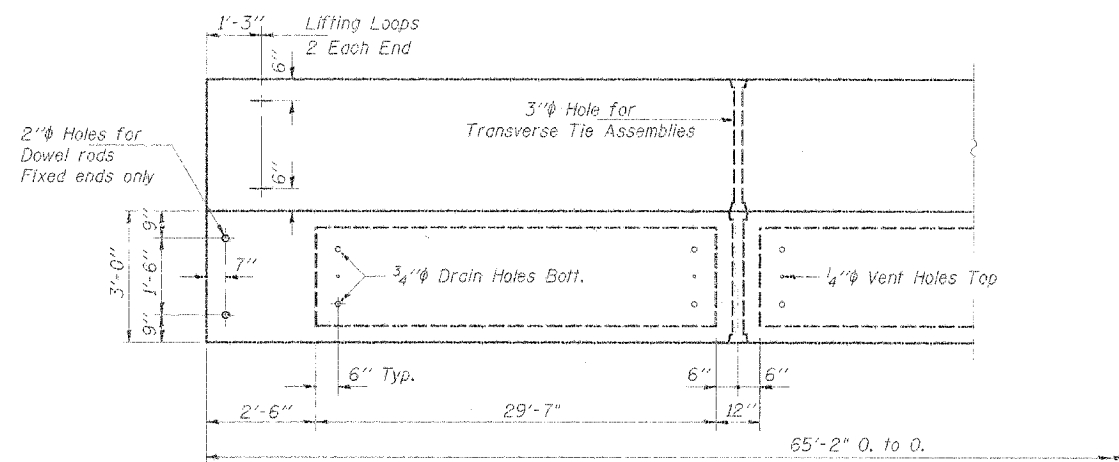
16-1/2" Strands Each Strand Stressed to 28,900 Lbs.  
8-Strands 1 3/4" up, 6-Strands 3/4" up,  
2-Strands 7/2" up

Note: Place strands symmetrically about center of beam.

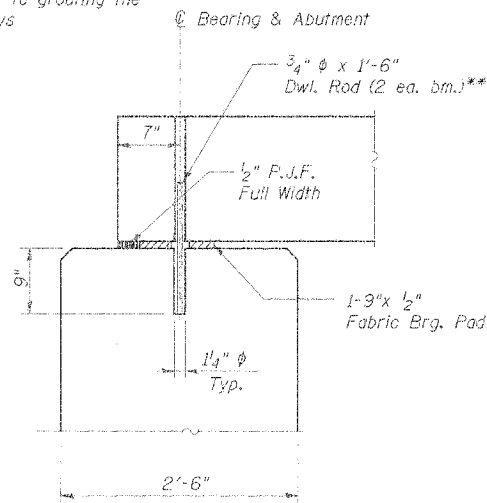


BAR A1

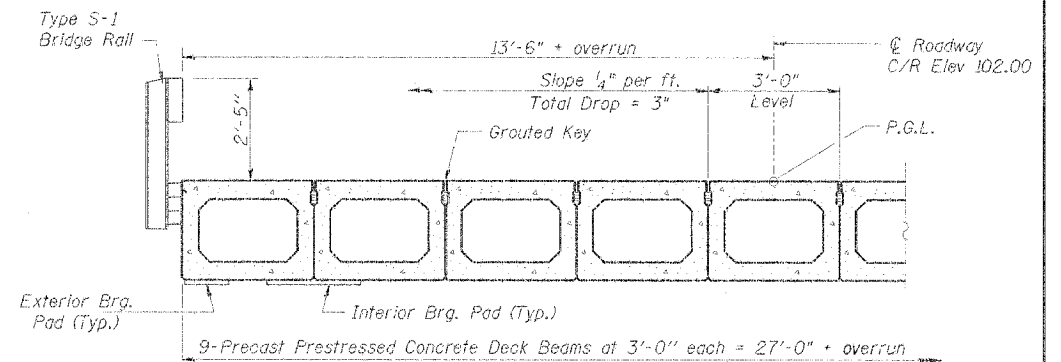
BARS U & U1



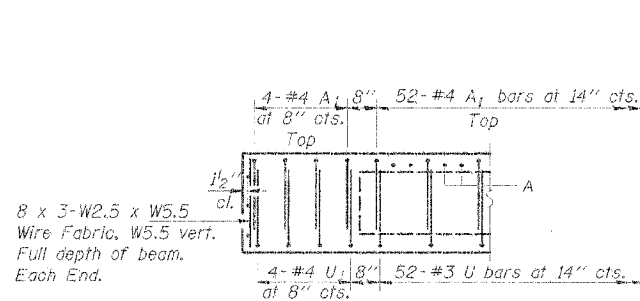
PLAN



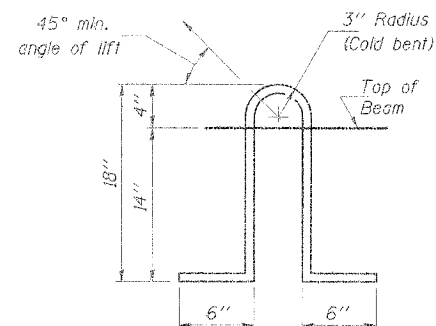
SECTION AT ABUTMENTS



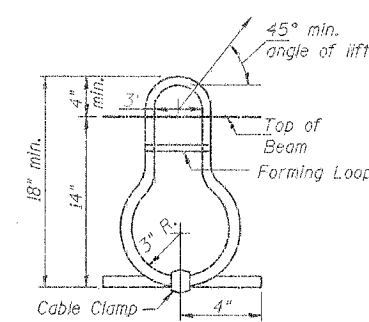
HALF CROSS SECTION



END ELEVATION



LIFTING LOOP DETAIL



LIFTING LOOP ALTERNATE

NOTES

Prestressing steel shall be uncoated high strength, low relaxation Y-wire strand, Grade 270. The nominal diameter shall be 1/2" and the nominal cross-sectional area shall be 0.153 sq. in. Lifting loops shall be 3/4" diameter, 5 x 25 cross wire rope with fiber core and shall have a minimum ultimate tensile strength of 46,000 lbs. or 3-1/2" phi-270 ksi strands, as shown. The 1" rods in the transverse tie assembly shall be tightened to a snug fit and the threads set. Packets that receive transverse tie bar on outside shall be filled with grout after transverse tie assembly is in place. Reinforcement bars shall conform to the requirements of AASHTO M-31, M-42 or M-53 Grade 60. The bearing seat surfaces shall be adjusted by shimming to ensure firm and even bearing. Two 1/2" fabric adjusting stims of the dimensions of the Exterior Bearing Pad shall be provided for each bearing. Keyway surfaces shall be cleaned to remove form oil or other bond breaking material prior to shipment of the beams. Cleaning shall be done by sandblasting the keyway areas between top of the beam and the bottom edge of the key. A Corrosion Inhibitor, as covered in the Special Provisions, shall be used in the concrete for precast prestressed concrete deck beams. Required Release Strength, f'ol, shall be 4000 p.s.i.

BILL OF MATERIAL (One Beam)

Bar	No.	Size	Length	Shape
A	110	#3	2'-8"	—
A1	60	#4	6'-1"	—
B	6	#5	23'-6"	—
B1	8	#5	13'-2"	—
B2	6	#4	23'-2"	—
U	52	#3	6'-3"	—
U1	8	#4	6'-3"	—
Precast Prestressed Conc. Deck Bms.		Sq. Ft.	1760*	

\*Total Quantity of Beams

DSGN	R.J. Wagner				
DR	L.A. Rolf				
CHK	K.E. Brandau				
APVD	K.E. Brandau	NO.	DATE	REVISION	BY

FRAUENHOFER

Frauenhofer and Associates, P.C. Consulting Engineers  
3002 Crossing Court Champaign, IL 61822 217-351-6268

SUPERSTRUCTURE

ELWOOD ROAD DISTRICT  
SECTION 00-06121-00-BR  
VERMILION COUNTY

SHEET 7

DWG NO. elwd-sup.dgn  
DATE JAN 2005  
PROJ NO. 20053