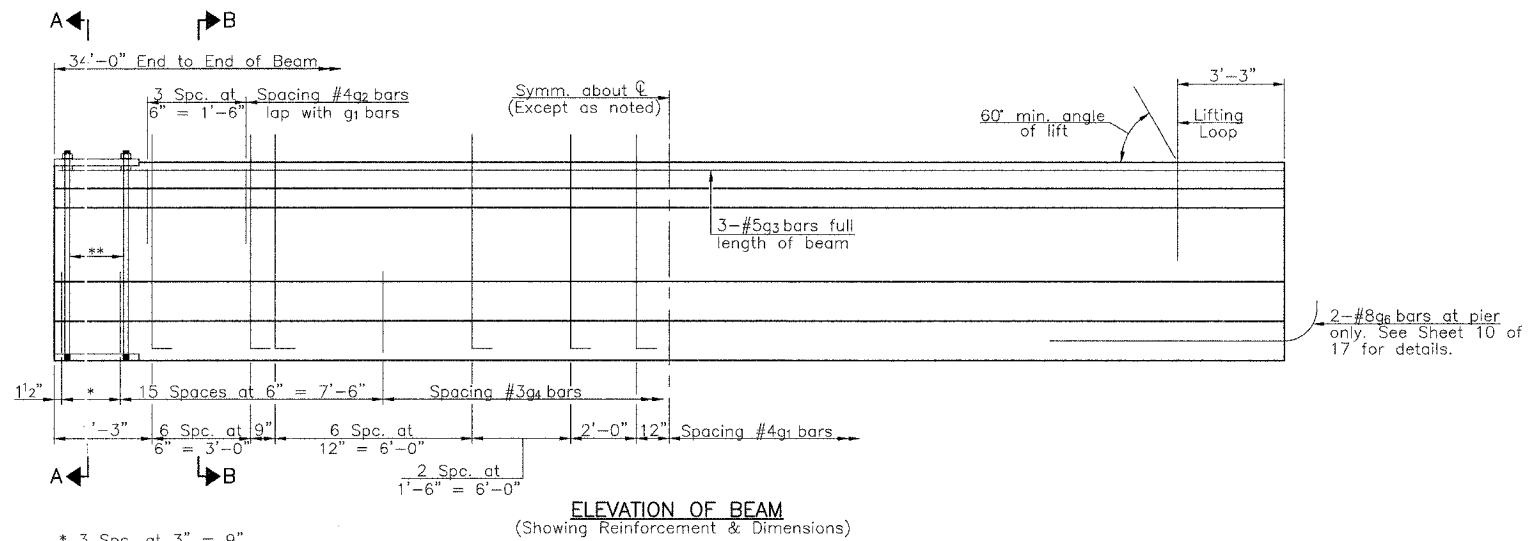


RTE.	SECTION	COUNTY	TOTAL SHEETS	SHEET NO.
C.H. 28	*	**	24	13

PROJECT BRS-1741(103)

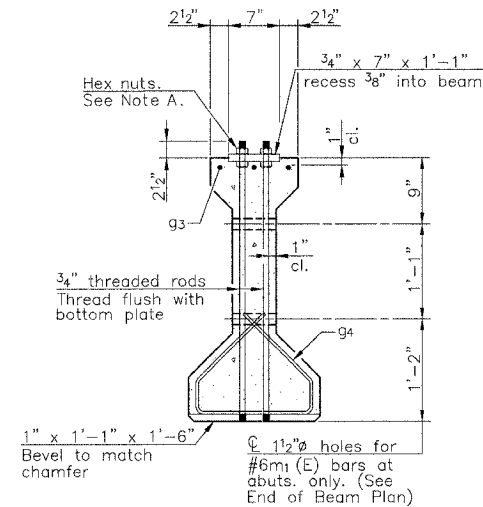
* 03-00085-00-BR & 03-00126-00-BR

** MACOUPIN COUNTY & MONTGOMERY COUNTY

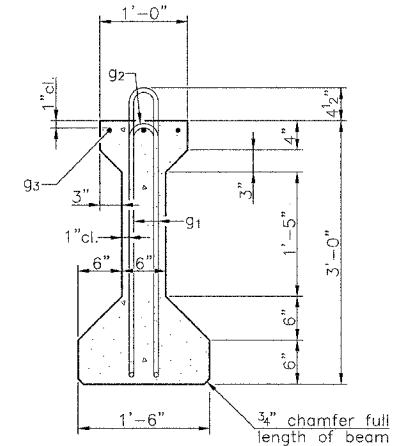


- * 3 Spc. at 3" = 9"
- ** 4-3/4" Threaded Dowel Rods at 3" cts. (Ea. Face)

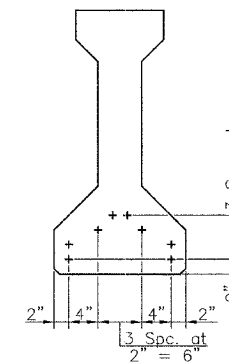
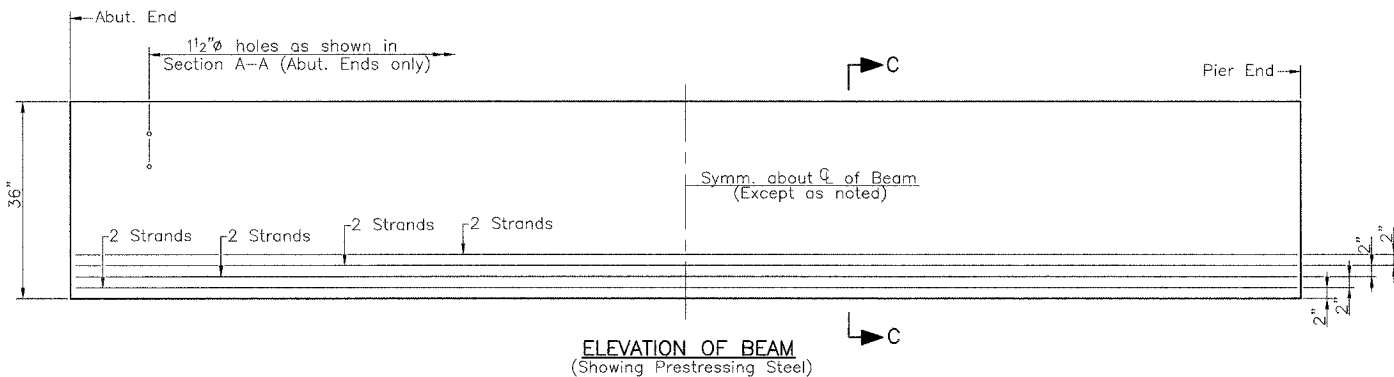
Note A:
Hex nuts (Top and Bottom) with lock washers top only. Tighten sufficiently to compress lock washers.



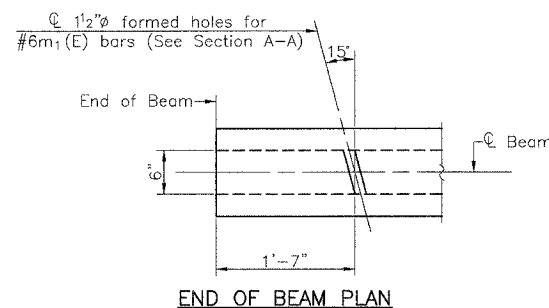
SECTION A-A



SECTION B-B



SECTION C-C



**BAR LIST
ONE BEAM ONLY**

BAR	NO.	SIZE	LENGTH	SHAPE
g1	34	#4	7'-5"	∩L
g2	8	#4	3'-10"	∩
g3	3	#5	33'-8"	—
g4	34	#3	4'-1"	∩
g6	2	#8	3'-9"	—

Notes:
See sheet 10 of 17 for additional details and Bill of Material.
Required release strength, f'ci, shall be 5000 psi.

BEAM DETAILS (SPANS 1 & 3)
C.H. 28 OVER MACOUPIN CREEK
SECTION 03-00085-00-BR
MACOUPIN COUNTY
SECTION 03-00126-00-BR
MONTGOMERY COUNTY