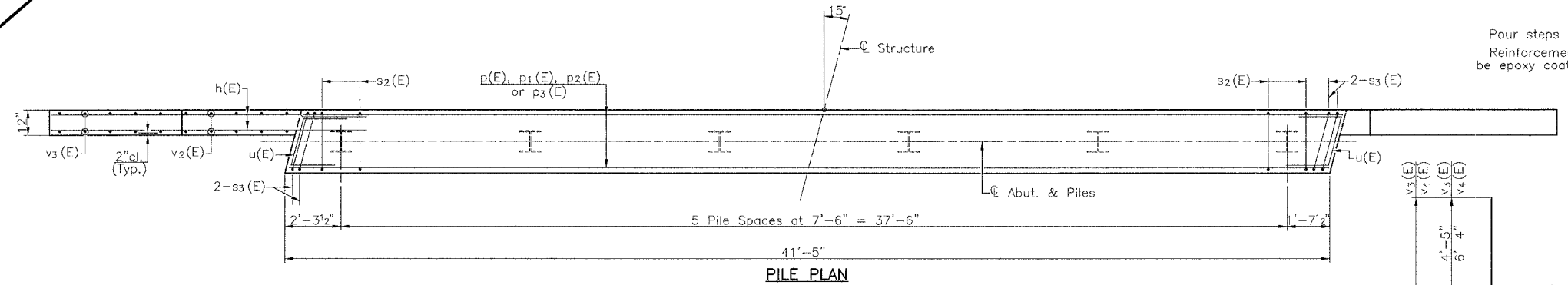
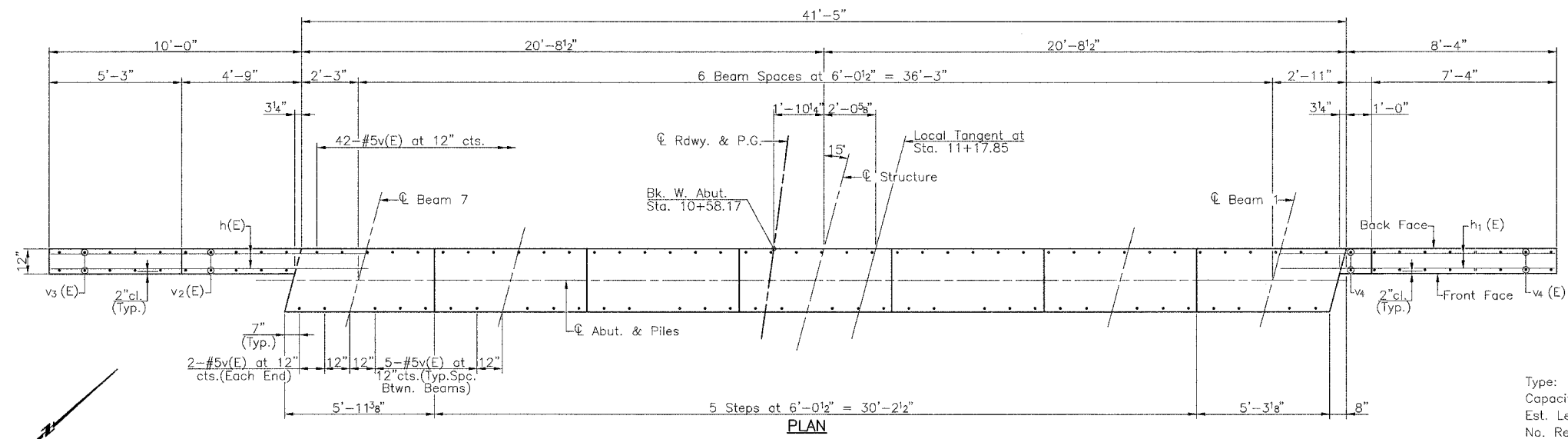
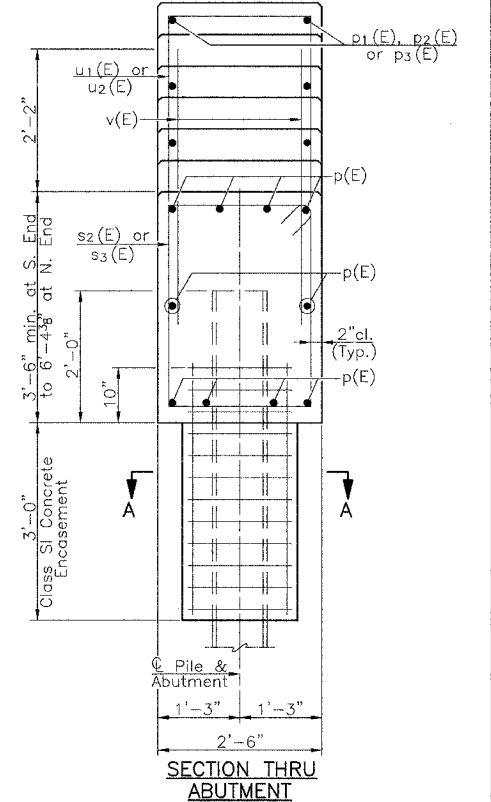
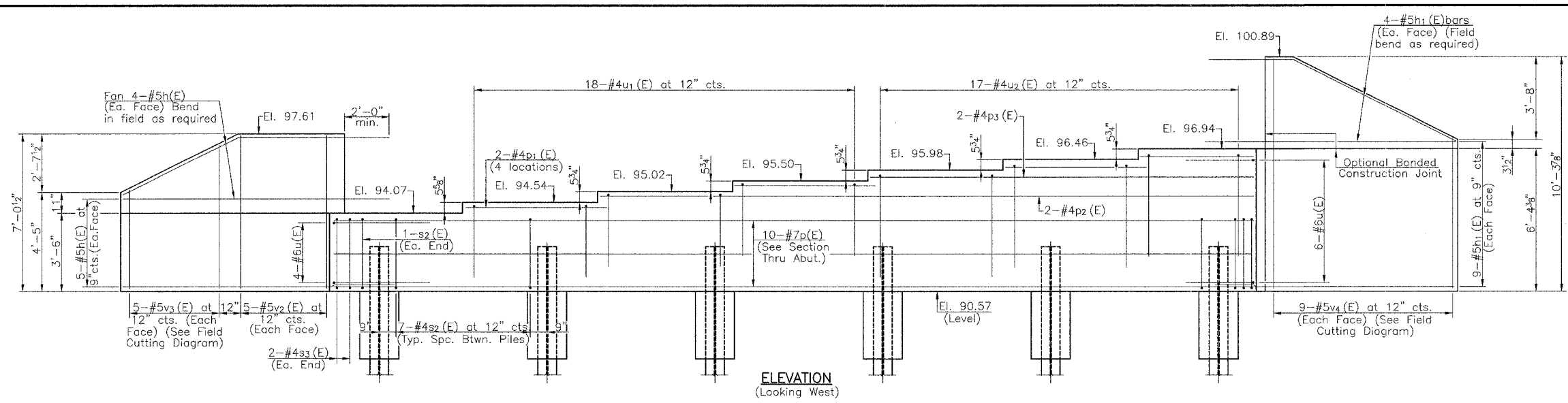


RTE.	SECTION	COUNTY	TOTAL SHEETS	SHEET NO.
C.H. 28	*	**	24	17

PROJECT BRS-1741(103)  
 \* 03-00085-00-BR & 03-00126-00-BR  
 \*\* MACOUPIN COUNTY & MONTGOMERY COUNTY  
 Sheet 13 of 17



**PILE DATA**

Type:	W. Abut.
Capacity:	Steel HP10x42
Est. Length:	Refusal
No. Req'd.:	27
	6

**NOTES**  
 Pour steps monolithically with caps.  
 Reinforcement bars designated (E) shall be epoxy coated.

**WEST ABUTMENT BILL OF MATERIAL**

Bar	No.	Size	Length	Shape
h(E)	18	#5	11'-10"	—
h1(E)	26	#5	10'-3"	—
p(E)	10	#7	41'-1"	—
p1(E)	8	#4	6'-0"	—
p2(E)	2	#4	29'-0"	—
p3(E)	2	#4	17'-0"	—
s2(E)	37	#4	11'-5"	□
s3(E)	4	#4	11'-7"	□
u(E)	10	#6	10'-2"	□
u1(E)	18	#4	8'-6"	□
u2(E)	17	#4	11'-2"	□
v(E)	76	#5	4'-8"	—
v2(E)	10	#5	6'-8"	—
v3(E)	5	#5	10'-10"	—
v4(E)	9	#5	16'-4"	—
Structure Excavation		Cu. Yd.	46	
Concrete Structures		Cu. Yd.	24.0	
Reinforcement Bars, Epoxy Coated		Pound	2780	
Furnishing Steel Piles HP 10 x 42		Foot	162	
Driving Steel Piles		Foot	162	

