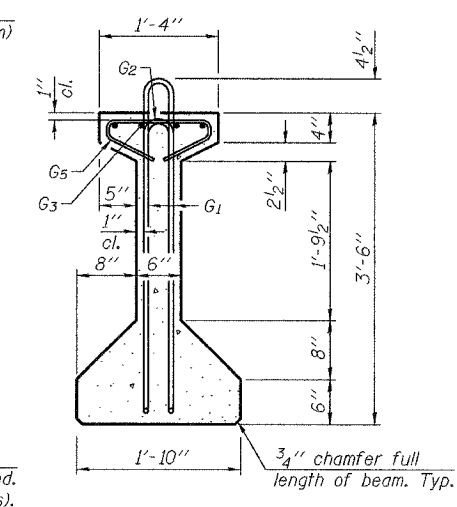
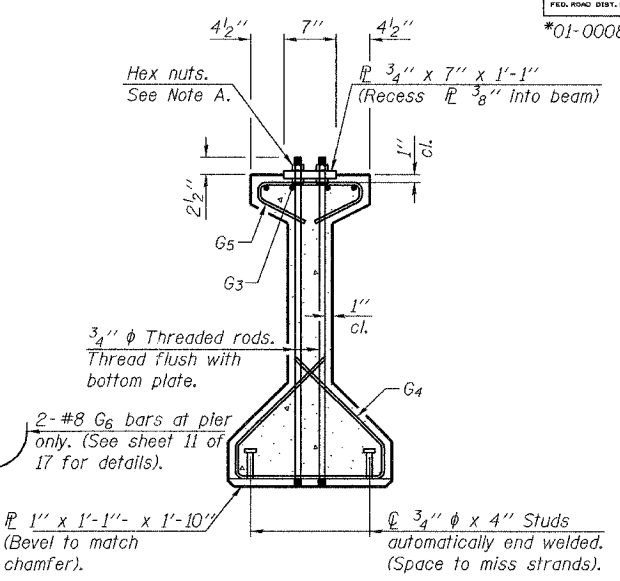
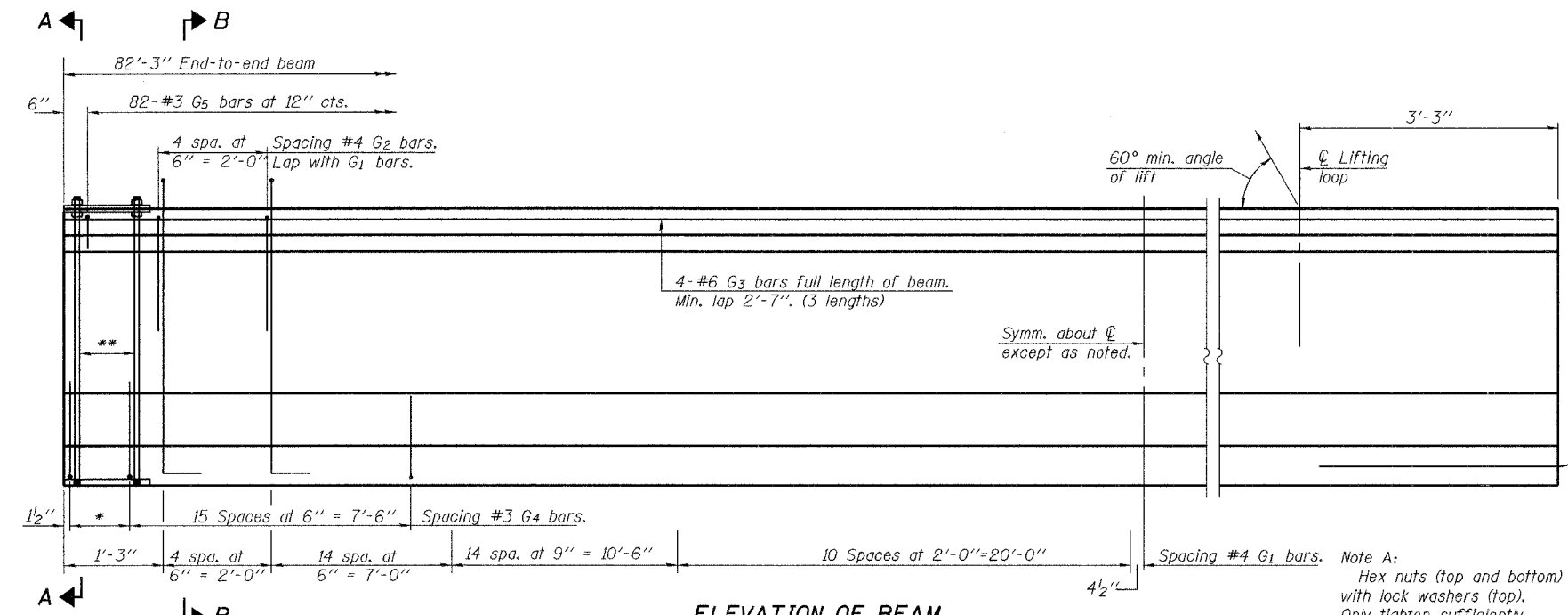


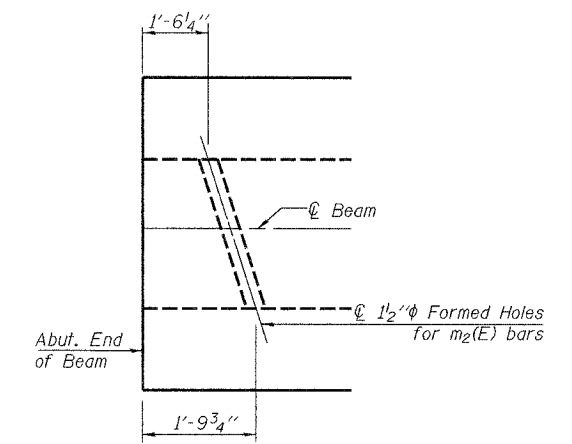
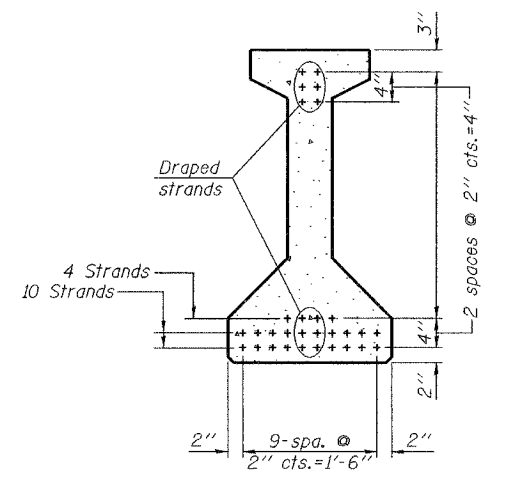
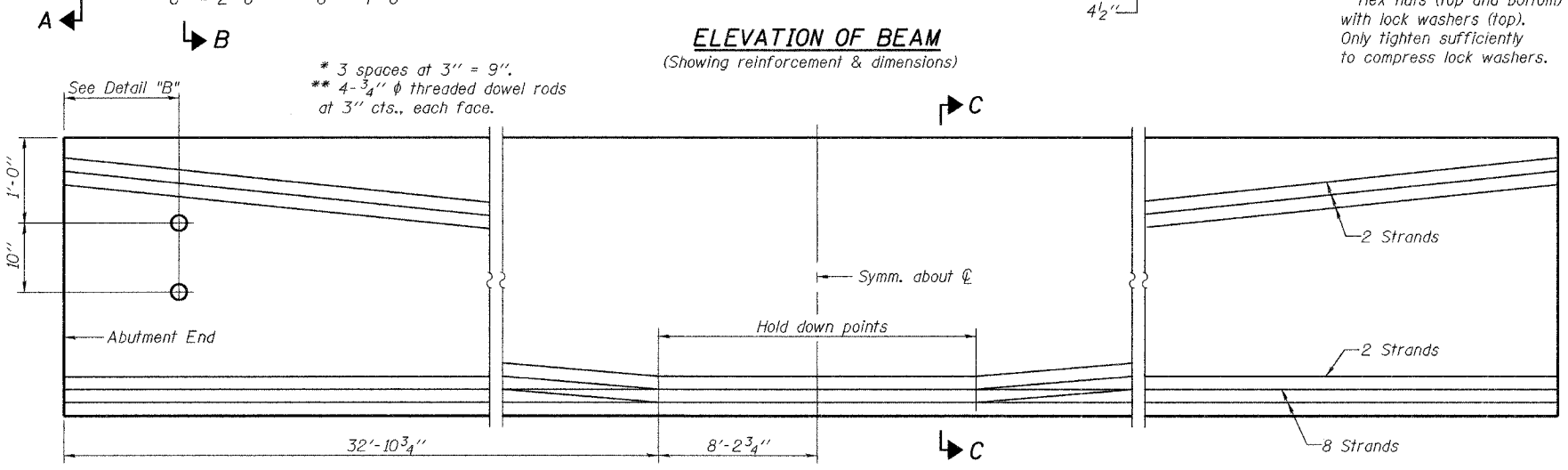
ROUTE NO.	SECTION	COUNTY	TOTAL SHEETS	SHEET NO.	SHEET NO.
FAS 1732	*	MACOUPIN	22	12	17 SHEETS
FED. ROAD DIST. NO. 7	ILLINOIS	FED. AID PROJECT			

*01-00081-00-BR



BAR LIST ONE BEAM ONLY

Bar	No.	Size	Length	Shape
G ₁	86	#4	8'-5"	∩L
G ₂	10	#4	4'-4"	∩
G ₃	12	#6	29'-2"	—
G ₄	38	#3	4'-11"	∩
G ₅	82	#3	2'-6"	∩
G ₆	2	#8	3'-9"	∩



Notes:
See sheet 11 of 17 for additional details and Bill of Material.
Required release strength, f'ci, shall be 5000 psi.

ILLINOIS DEPARTMENT OF TRANSPORTATION			
SHEET TITLE BEAM DETAILS-SPANS 1 & 5			
PROJECT FAS ROUTE 1732 (COUNTY ROUTE 11) SECTION 01-00081-00-BR MACOUPIN COUNTY STATION 167+61.06 STRUCTURE NUMBER 059-3331	PROJECT NO. 04081	SCALE 04081	DRAWING NO. 9
DATE 07/07/06 DRAWN BY TFG CHECKED BY ML/GB/MCB	COOMBE-BLOXDORF P.C. Engineers / Land Surveyors Springfield, Illinois Design Firm License No. 184-002703		
			OF 17 SHTS

PLOT DATE = 07/07/2006
PLOT SCALE = 1/8" = 1'-0"
PLOT USER = TFC