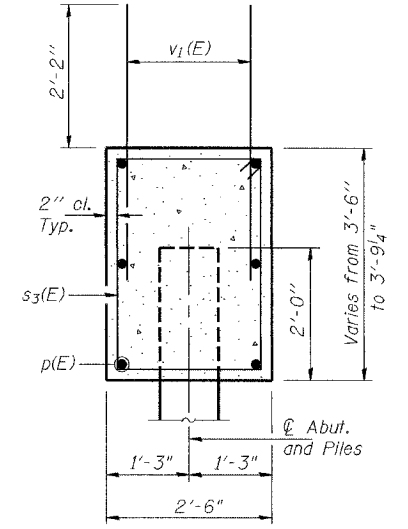
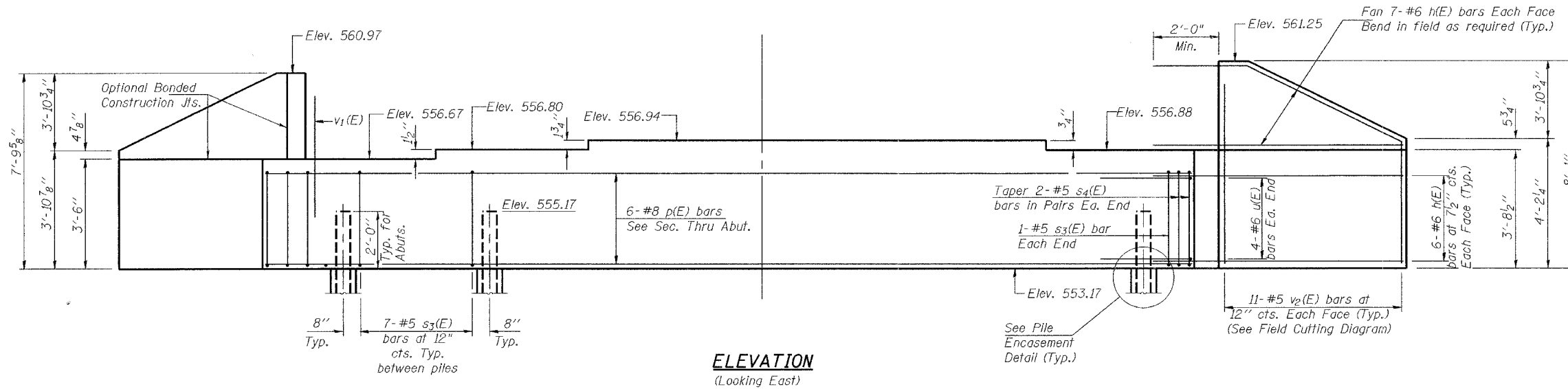


ROUTE NO.	SECTION	COUNTY	TOTAL SHEETS	SHEET NO.	SHEET NO. 13
FAS 1732	#	MACOUPIN	22	16	17 SHEETS
FED. ROAD DIST. NO. 7	ILLINOIS	FED. AID PROJECT-			

*01-00081-00-BR

Notes: Pour steps monolithically with cap.
Reinforcement bars designated (E)
shall be epoxy coated.

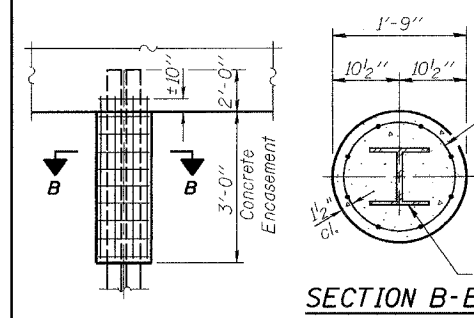
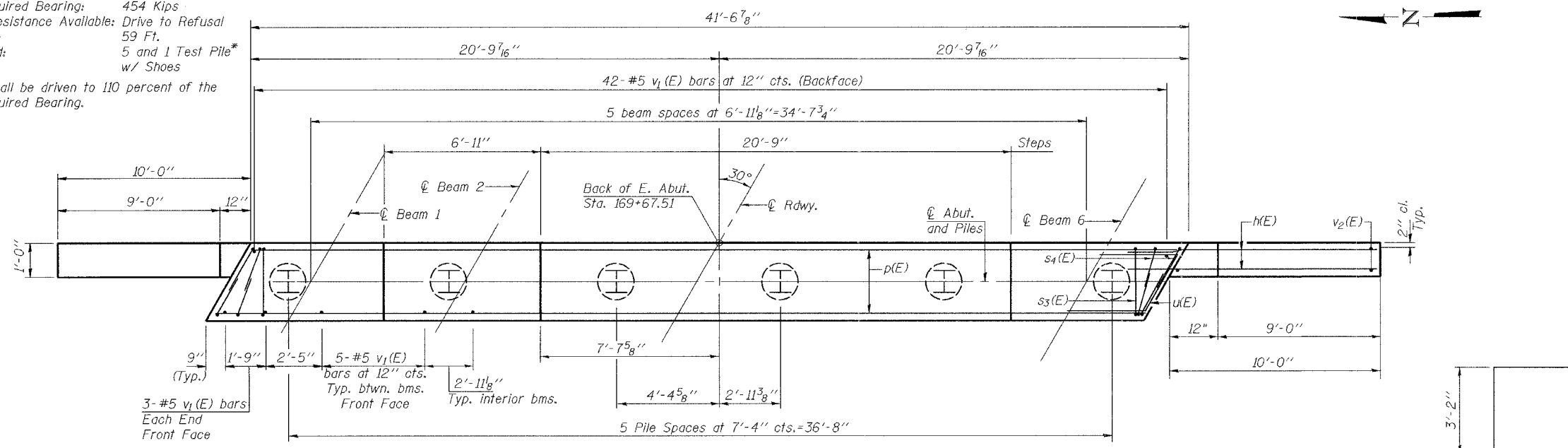


SEC. THRU ABUT.

PILE DATA

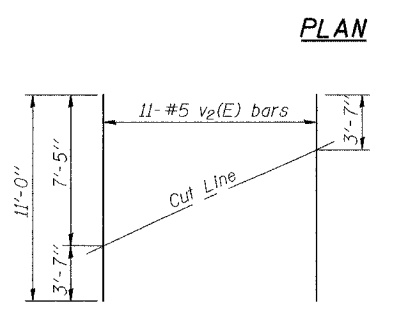
Type: HP 10x57
Nominal Required Bearing: 454 Kips
Allowable Resistance Available: Drive to Refusal
Est. Length: 59 Ft.
No. Required: 5 and 1 Test Pile*
w/ Shoes

*Test pile shall be driven to 110 percent of the Nominal Required Bearing.



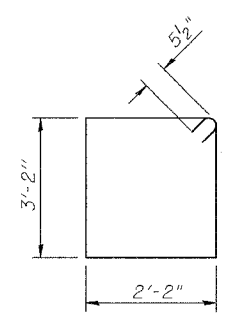
PILE ENCASEMENT DETAIL

Welded wire fabric
6 x 6-W4.0 x W4.0
weighing 58#/100 sq. ft.
The cost of Excavation &
Reinforcement is included
with Concrete Encasement
Forms for Encasement may
be omitted when soil
conditions permit.

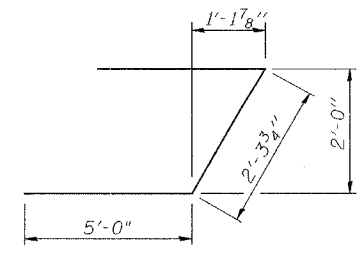


FIELD CUTTING DIAGRAM

MIN. BAR LAP
#5 bar=2'-2"



BARS s3(E)



BAR u(E)

BILL OF MATERIAL
E. ABUTMENT

Bar	No.	Size	Length	Shape
h(E)	52	#6	12'-0"	
p(E)	6	#8	41'-3"	
s3(E)	37	#5	11'-7"	□
s4(E)	8	#5	8'-0"	□
u(E)	8	#6	12'-4"	▤
v1(E)	73	#5	4'-4"	
v2(E)	22	#5	11'-0"	
Concrete Structures			Cu. Yd.	18.5
Reinforcement Bars			Pound	2850
Epoxy Coated				
Structure Excavation			Cu. Yd.	90
Furnishing Steel Piles, HP 10x57			Foot	295
Driving Piles			Foot	295
Test Pile Steel HP 10x57			Each	1
Pile Shoes			Each	6
Concrete Encasement			Cu. Yd.	1.6

ILLINOIS DEPARTMENT OF TRANSPORTATION	
SHEET TITLE	
EAST ABUTMENT	
PROJECT	FAS ROUTE 1732 (COUNTY ROUTE 11)
SECTION	01-00081-00-BR
COUNTY	MACOUPIN COUNTY
STATION	167+61.06
STRUCTURE NUMBER	059-3331
PROJECT NO.	04081
SCALE	
DATE	10/03/06
DRAWN BY	TFG
CHECKED BY	GB/ML/MCB
DRAWING NO.	
COOMBE-BLOXDORF P.C.	
Engineers / Land Surveyors	
Springfield, Illinois	
Design Firm License No.	184-002703
13	
OF 17 SHTS	

PLOT DATE = 10/03/2006
 PLOT SCALE = 0.010000 1" = 10'
 USER NAME = TFG