

ROUTE NO.	SECTION	COUNTY	TOTAL SHEETS	SHEET	SHEET NO.
FAS 1732	*	MACOUPIN	22	17	17 SHEETS
FED. ROAD DIST. NO. 7		ILLINOIS	FED. AID PROJECT-		

*01-00081-00-BR

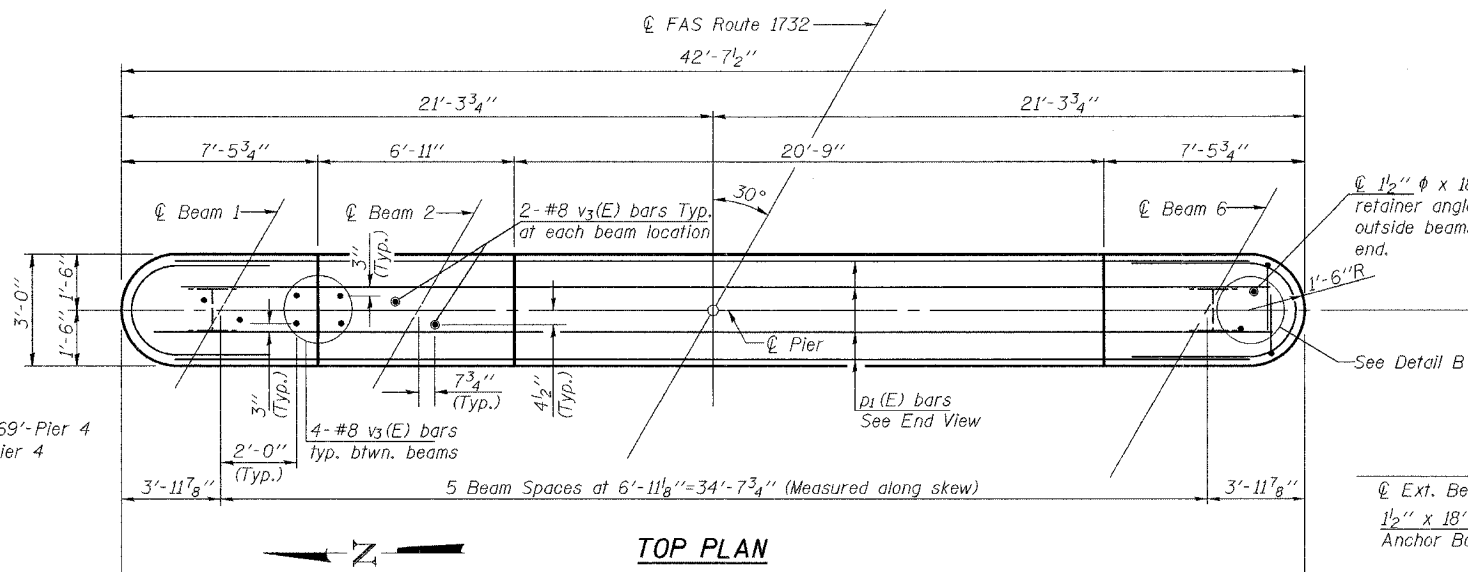
NOTES

Space reinforcement in cap to miss anchor bolts.
 Pour steps monolithically with cap.
 All edges shall have 3/4" chamfers except as noted.

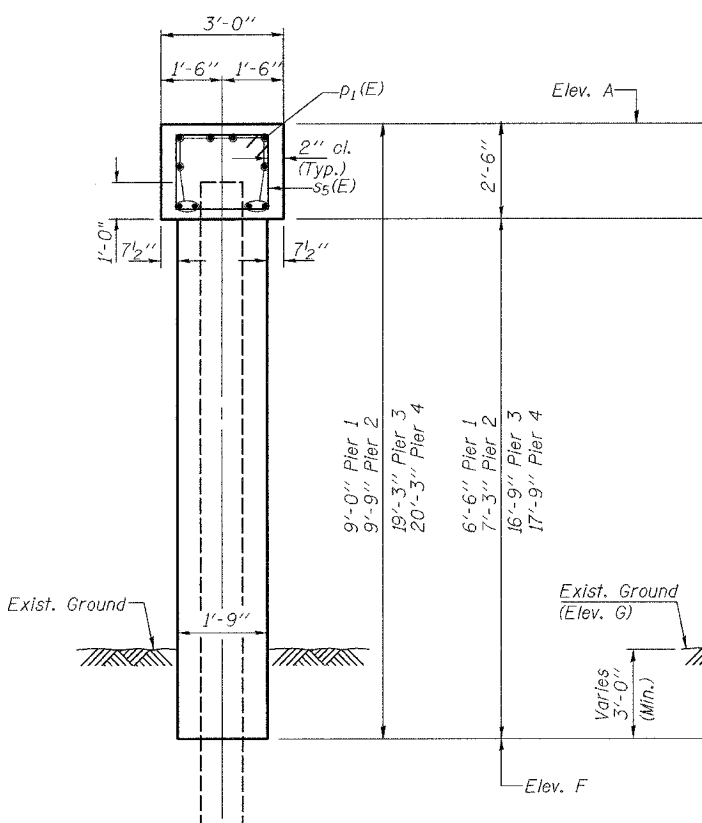
PILE DATA

Type: HP 10x57 w/ Shoes
 Nominal Required Bearing: 454 Kips
 Allowable Resistance Available: Drive to Refusal
 Est. Length: 81'-Pier 1, 85'-Pier 2, 85'-Pier 3, 69'-Pier 4
 No. Required: 10-Pier 1, *8-Pier 2, 8-Pier 3, 8-Pier 4

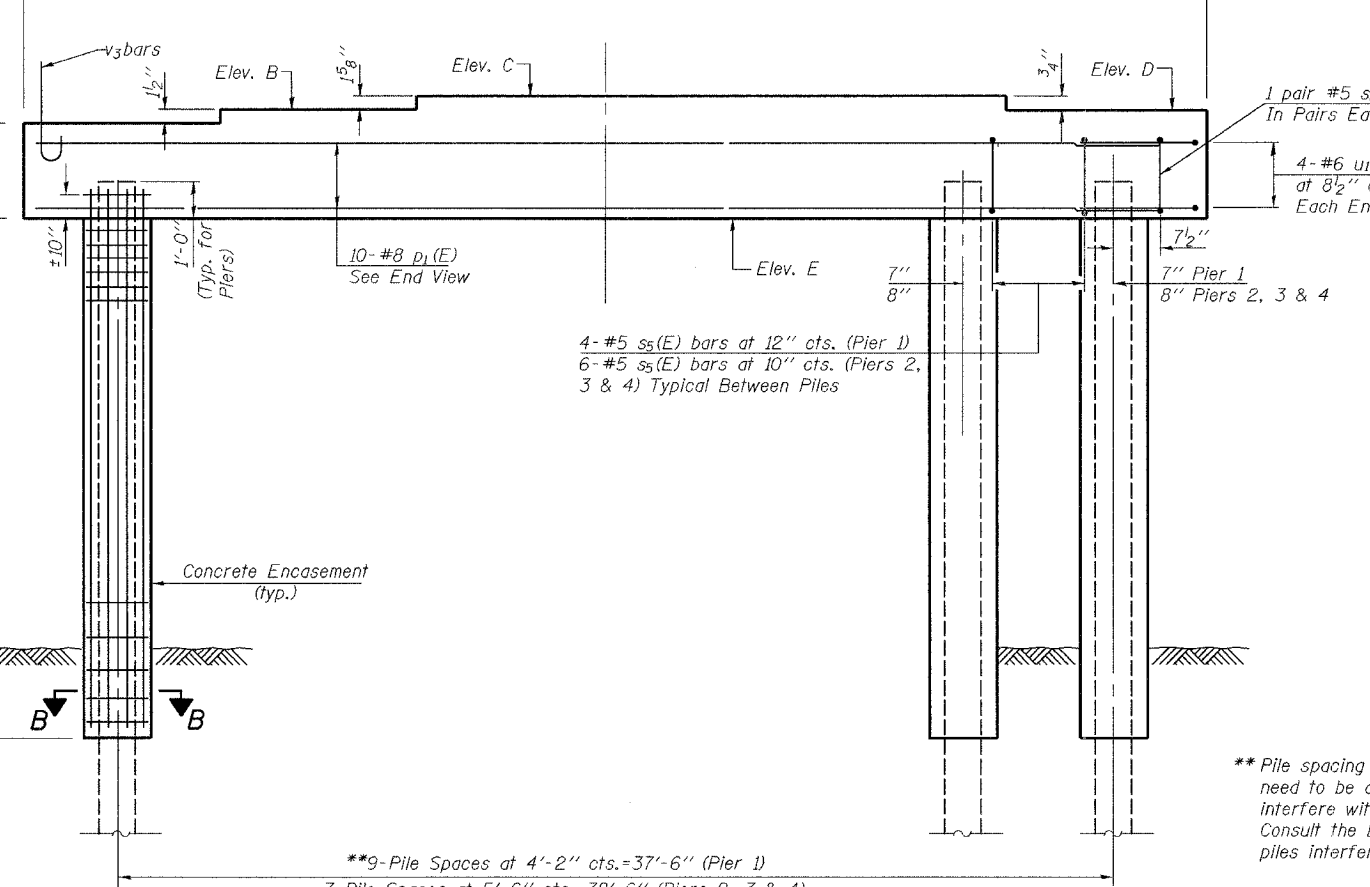
*Includes a test pile in pier 2. Test pile shall be driven to 110 percent of the Nominal Required Bearing.



TOP PLAN



NORTH END VIEW

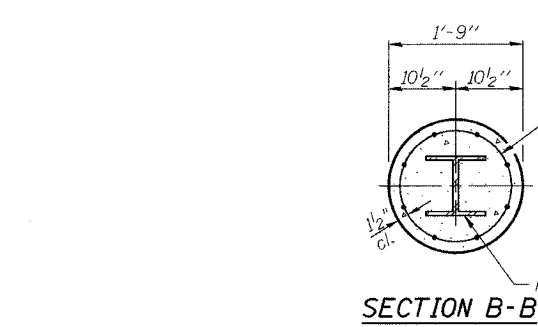


ELEVATION
(Looking East)

ELEV. TABLE

	PIER 1	PIER 2	PIER 3	PIER 4
A	552.40	553.47	554.54	555.60
B	552.53	553.60	554.67	555.73
C	552.67	553.74	554.81	555.87
D	552.61	553.68	554.75	555.81
E	549.90	550.97	552.04	553.10
F	+543.4	+543.7	+535.3	+535.3
G	+546.4	+546.8	+545.0	+547.1

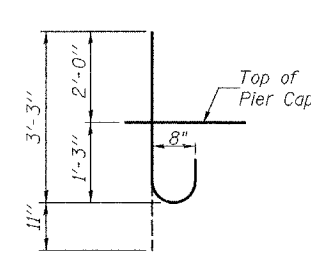
**Pile spacing at pier 1 may need to be altered if piles interfere with existing piles. Consult the Engineer if piles interfere.



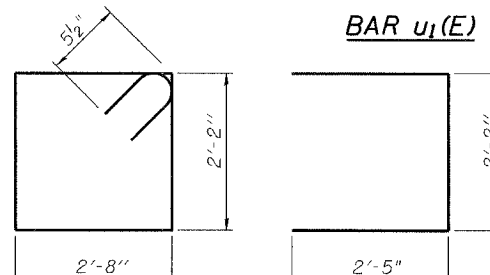
SECTION B-B



DETAIL B



BAR v3(E)



BAR s5(E) BAR s6(E)

BILL OF MATERIAL-4 PIERS

Bar	No.	Size	Length	Shape
p1(E)	40	#8	39'-7"	—
s5(E)	162	#5	10'-7"	□
s6(E)	16	#5	7'-0"	□
u1(E)	32	#6	11'-10"	U
v3(E)	128	#8	4'-2"	J
Concrete Structures			Cu. Yd.	50.8
Reinforcement Bars, Epoxy Coated			Pound	8130
Furnishing Steel Piles HP 10x57			Foot	2637
Driving Piles			Foot	2637
Test Pile Steel HP 10x57			Each	1
Pile Shoes			Each	34
Concrete Encasement			Cu. Yd.	35.8
Underwater Structure Excavation Protection Location 1 (Pier 1)			Each	1
Underwater Structure Excavation Protection Location 2 (Pier 2)			Each	1
Underwater Structure Excavation Protection Location 3 (Pier 3)			Each	1
Underwater Structure Excavation Protection Location 4 (Pier 4)			Each	1

Reinforcement Bars designated (E) shall be epoxy coated.

ILLINOIS DEPARTMENT OF TRANSPORTATION	
SHEET TITLE PIERS	
PROJECT FAS ROUTE 1732 (COUNTY ROUTE 11) SECTION 01-00081-00-BR MACOUPIN COUNTY STATION 167+61.06 STRUCTURE NUMBER 059-3331	PROJECT NO. 04081 SCALE DATE 10/03/06 DRAWN BY TFG CHECKED BY RB/ML/MCB DRAWING NO.
COOMBE-BLOXDORF P.C. Engineers / Land Surveyors Springfield, Illinois Design Firm License No. 184-002703	14 OF 17 SHTS

PLOT DATE = 10/02/2006
 PLOT SCALE = 0.00000 1" = 10'
 USER NAME = TFG