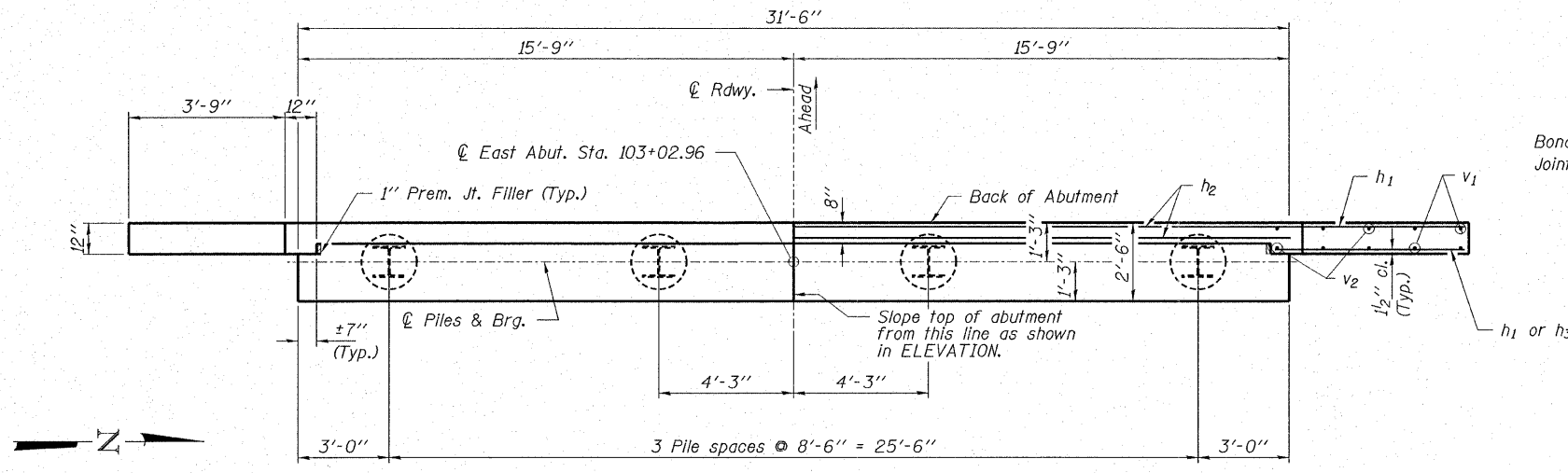
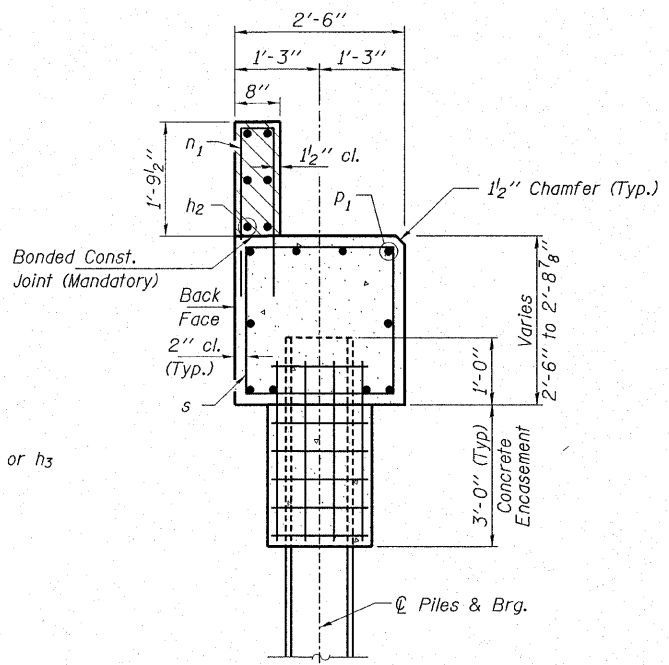


CONTRACT NO. 95469

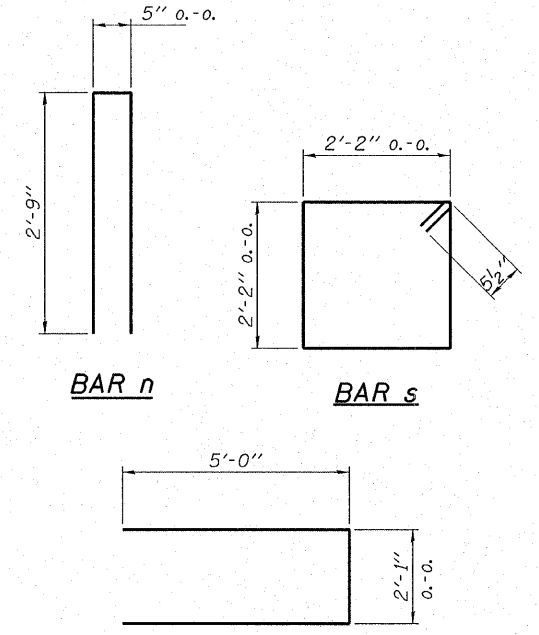


PLAN



SECTION C-C

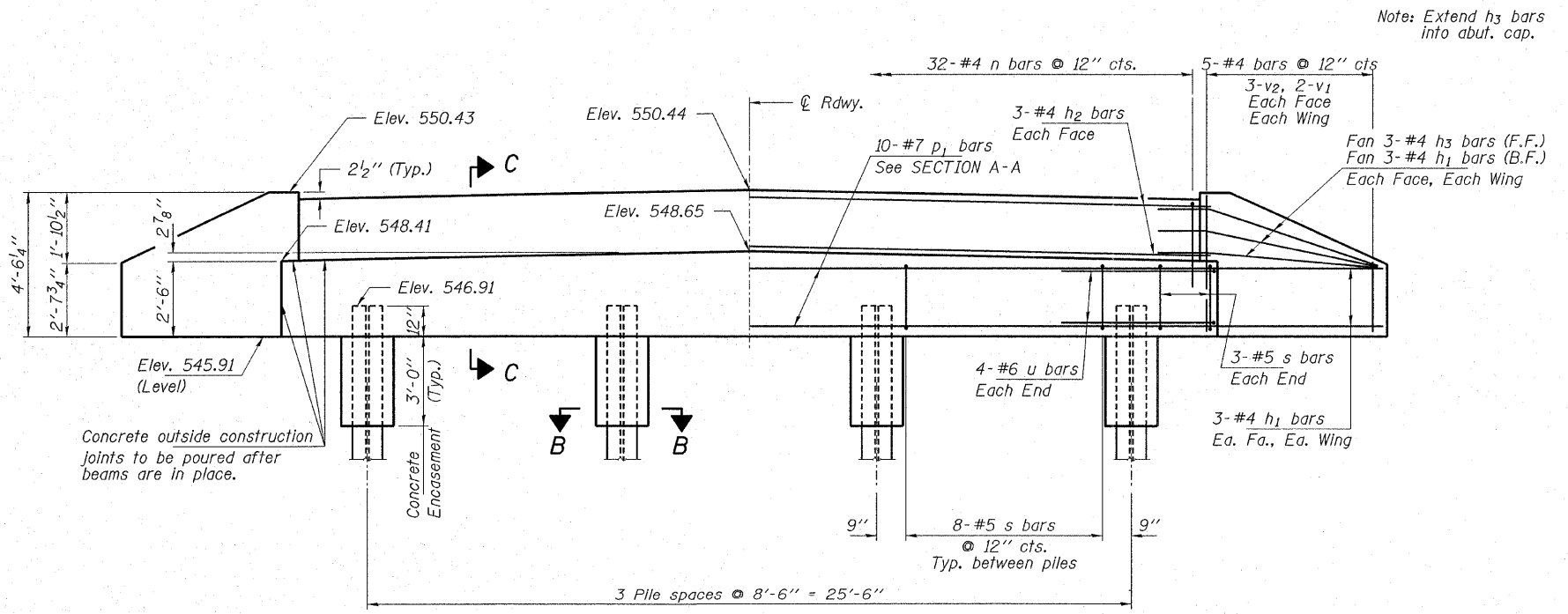
Hatched area to be poured after beams are in place.



BAR n

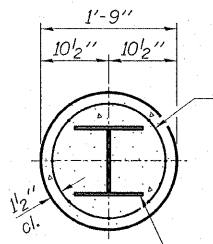
BAR s

BAR u



ELEVATION
(Looking East)

Note: Extend h3 bars into abut. cap.



SECTION B-B

Welded Wire Fabric
6 x 6-W4.0 x W4.0
weighing 58#/100 sq. ft.
The cost of Excavation and
Reinforcement is incidental
to the cost of Concrete
Encasement. Forms for
Encasement may be omitted
when soil conditions will permit.

BILL OF MATERIAL - E. ABUT.

BAR	NO.	SIZE	LENGTH	SHAPE
h1	18	#4	5'-6"	—
h2	6	#4	31'-6"	—
h3	6	#4	4'-6"	—
n1	32	#4	5'-11"	□
p1	10	#7	31'-2"	—
s	30	#5	9'-7"	□
u	8	#6	12'-1"	—
v1	8	#4	2'-6"	—
v2	12	#4	3'-6"	—
Concrete Structures			Cu. Yd.	10.2
Reinf. Bars, Epoxy Coated			Pound	1,460
Steel Piles HP10x42			Foot	63
Driving Steel Piles			Foot	63
Test Pile Steel HP10x42			Each	1
Concrete Encasement			Cu. Yd.	1.0

All bars shall be Epoxy Coated.

PILE DATA

Type _____ Steel HP 10x42
No. Req'd. _____ 4*
Capacity _____ Drive to Refusal
Est. Length _____ 21 Feet/Pile

* Includes one test pile to be driven in a permanent location at the East Abutment.

HLR
Rice, Berry and Associates
A Division of Hampton,
Lenzini and Renwick, Inc.
Civil & Structural Engineers
3085 Stevenson Drive
Suite 201
Springfield, Illinois 62703
217-546-3400
P.O. Box 1036
DuQuoin, Illinois 62832
618-790-4637
Account Number
12-34-0002-1
Date: 03/17/06
DESIGNED: S.M.S. CHECKED: S.W.M. DRAWN: D.T.M.

EAST ABUTMENT
SECTION 02-00104-00-BR
F.A.S. 712 / C.H. 24
FAYETTE COUNTY
STR. NO. 026-3431 / STATION 102+50