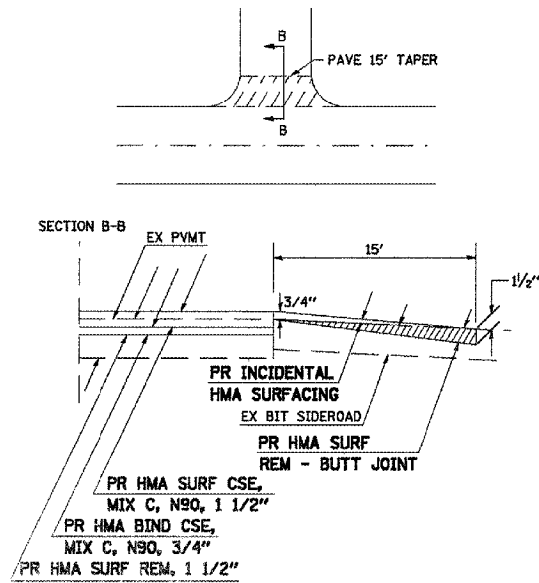


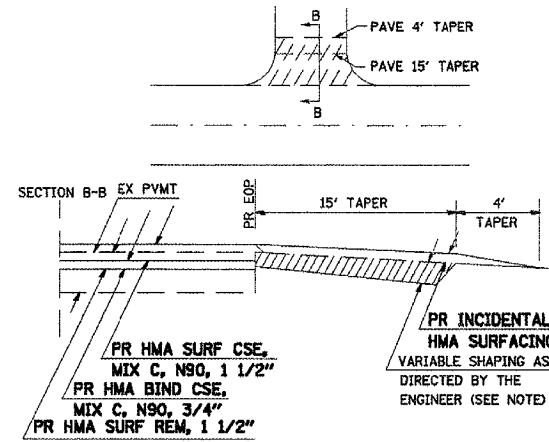
F.A.P. RTE.	SECTION	COUNTY	TOTAL SHEETS	SHEET NO.
328		WAYNE & WHITE	15	11
STA. 448+99		TO STA. 61+90		
FED. ROAD DIST. NO.		ILLINOIS FED. AID PROJECT		

\* 1104,105/RS-4,108/RS-3

DETAIL OF BITUMINOUS SIDE ROADS WITH BUTT JOINT

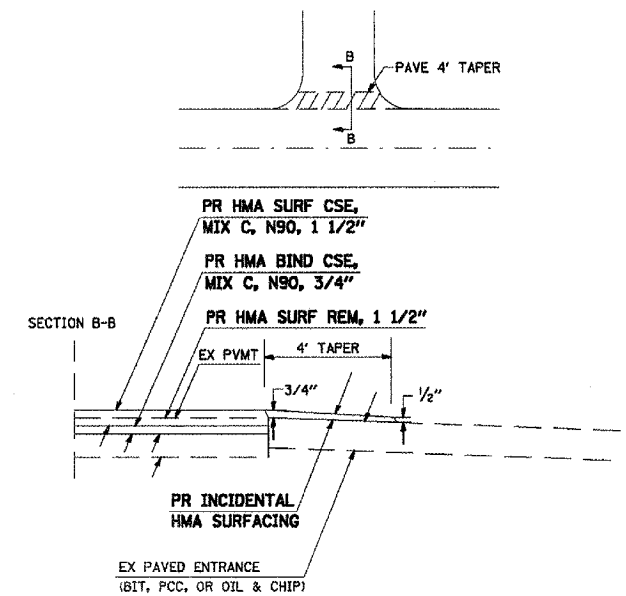


DETAIL OF OIL & CHIP SIDE ROAD

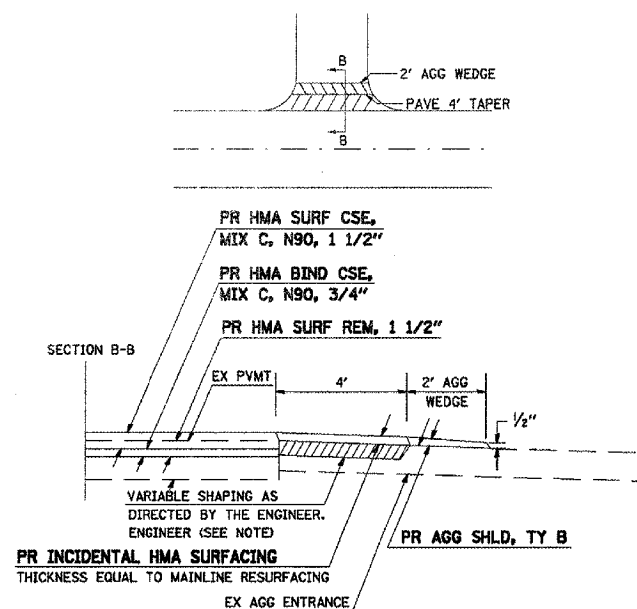


NOTES:  
 VARIABLE SHAPING IS INCLUDED IN THE COST OF HOT-MIX ASPHALT. PREPARATION OF EXISTING SURFACE AND ANY EXCAVATION FOR ENTRANCES SHALL BE IN ACCORDANCE WITH ARTICLE 406.09 OF THE STANDARD SPECIFICATIONS. IF EXISTING SUB-BASE IS INADEQUATE, AS DETERMINED BY THE ENGINEER, THE SIDEROADS SHALL BE CORED OUT AND AGGREGATE SUB-BASE, TYPE B SHALL BE PLACED FOR BASE. THE COST OF CORING OUT THE SIDEROAD SHALL BE INCLUDED IN THE COST OF THE AGGREGATE BASE COURSE. IF EXISTING SUB-BASE IS DETERMINED TO BE ADEQUATE, THE AGGREGATE BASE COURSE SHALL BE DELETED AND THE PREPARATION OF THE BASE SHALL BE CONSTRUCTED ACCORDING TO ARTICLE 406.09.

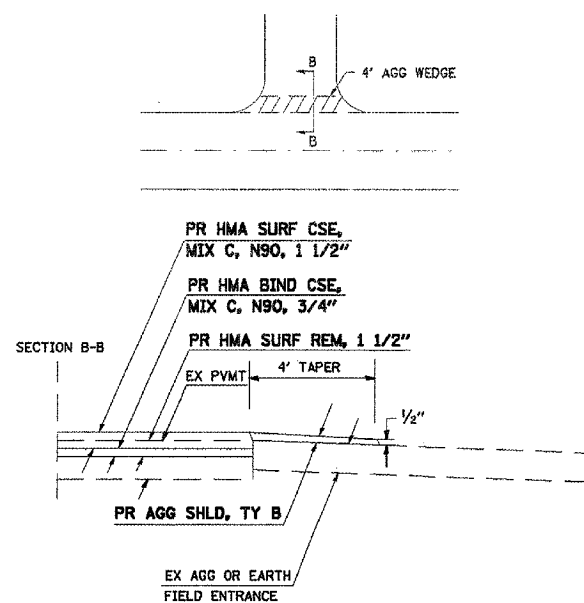
DETAIL OF BITUMINOUS, PCC, OR OIL & CHIP PRIVATE OR COMMERCIAL ENTRANCE



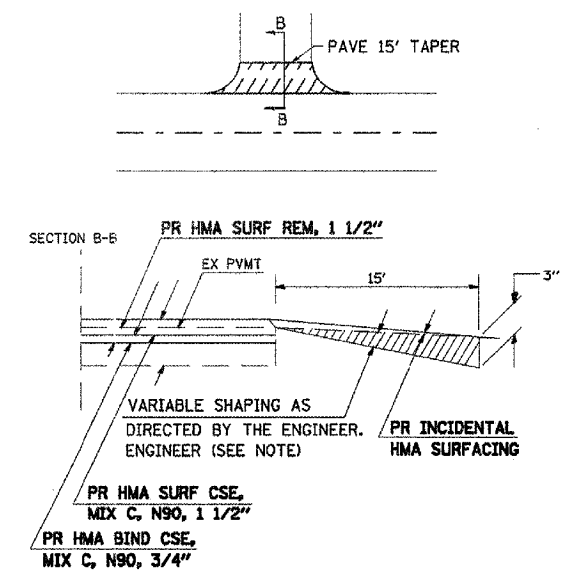
DETAIL OF AGGREGATE PRIVATE OR COMMERCIAL ENTRANCE



DETAIL OF AGGREGATE OR EARTH FIELD ENTRANCE



DETAIL OF AGGREGATE SIDEROAD



REVISIONS	
NAME	DATE

ILLINOIS DEPARTMENT OF TRANSPORTATION  
 SCALE: VERT. \_\_\_\_\_  
 DATE \_\_\_\_\_ HORIZ. \_\_\_\_\_  
 DRAWN BY \_\_\_\_\_  
 CHECKED BY \_\_\_\_\_

PLOT DATE = 10/10/2005  
 FILE NAME = c:\pcc\mwa\982086\982086.dgn  
 PLOT SCALE = 1/8\"/>