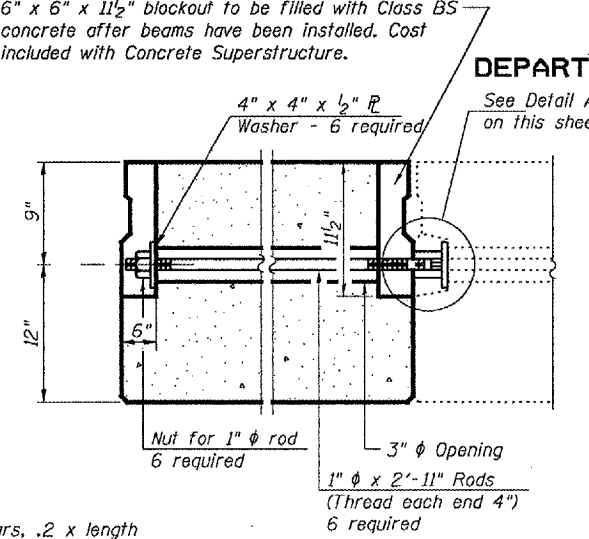
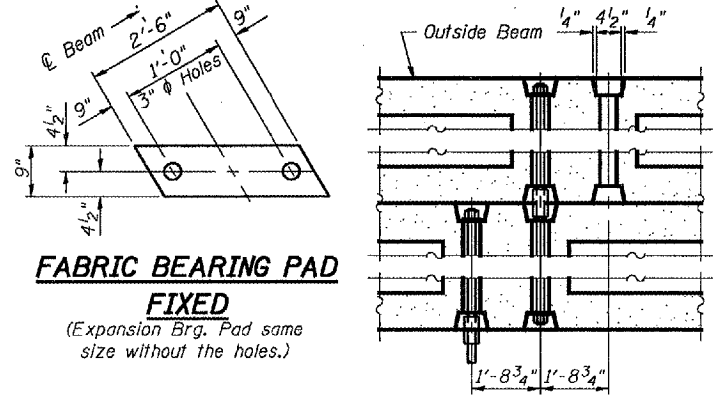


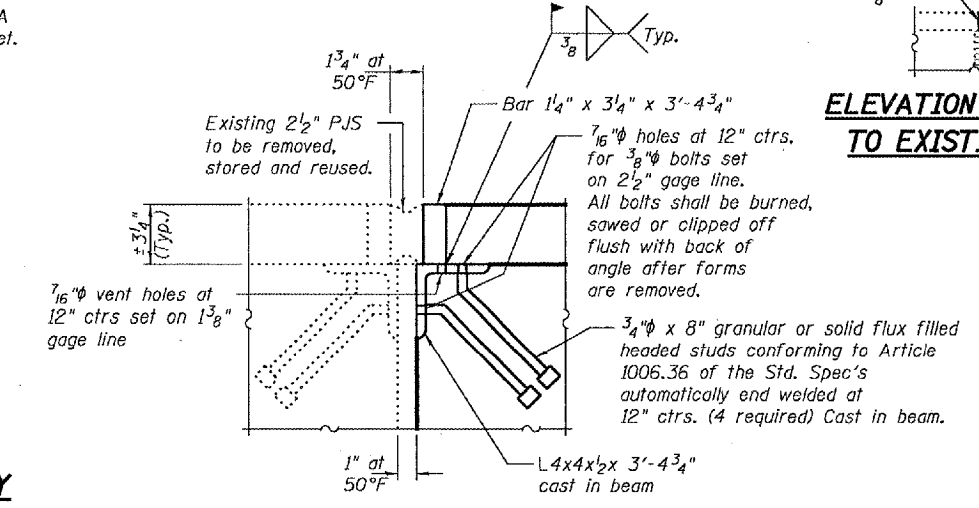
ROUTE NO.	SECTION	COUNTY	TOTAL SHEETS	SHEET NO.
		White	7	5
FED. ROAD DIST. NO. 7		ILLINOIS	FED. AID PROJECT	

Contract Number: 98988

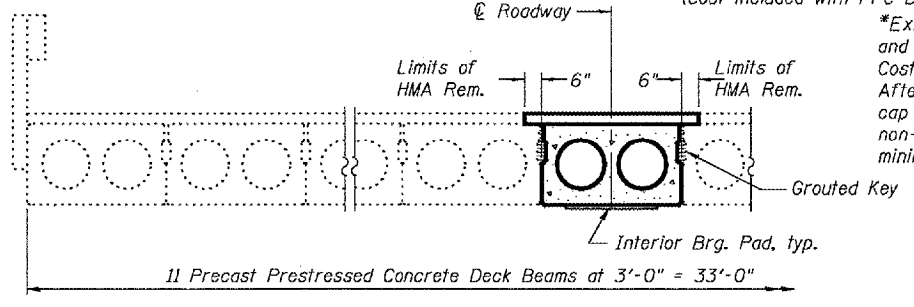
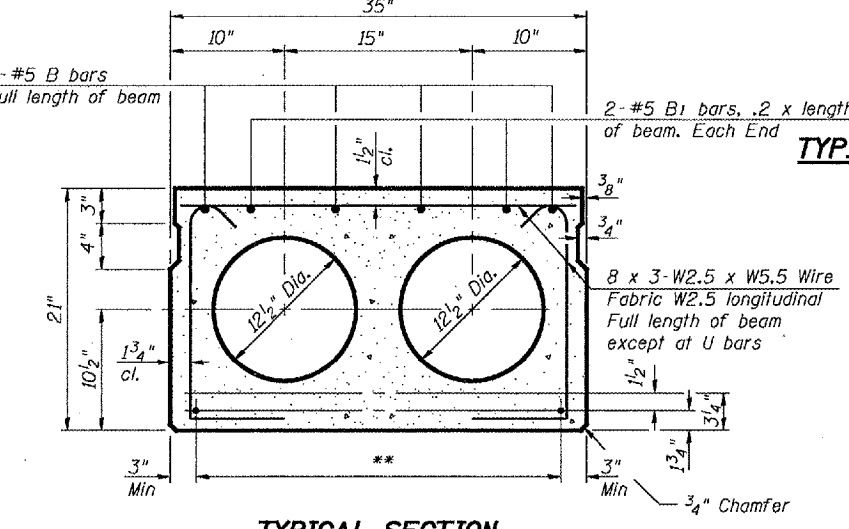
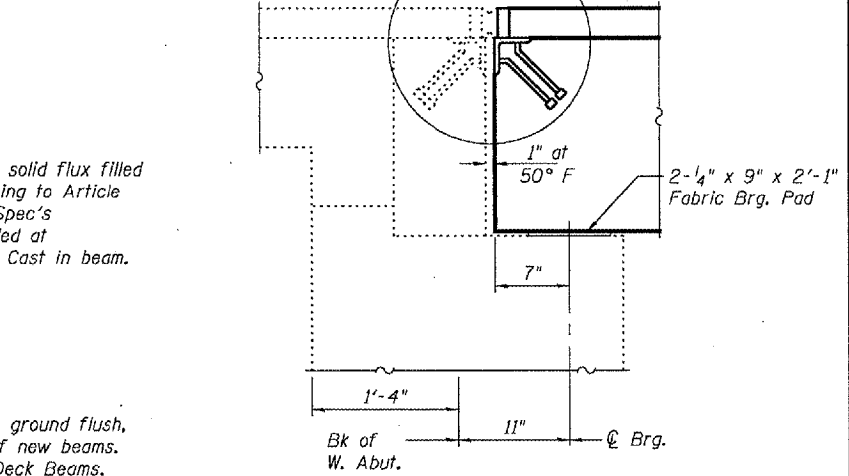
SHEET NO. 2
2 SHEETS



STATE OF ILLINOIS
DEPARTMENT OF TRANSPORTATION



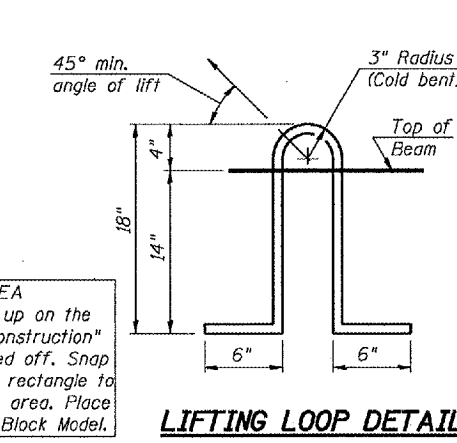
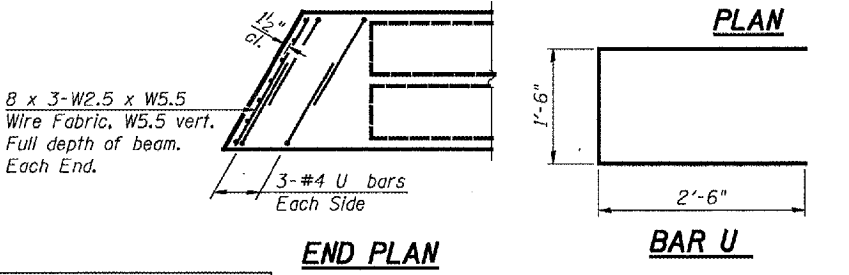
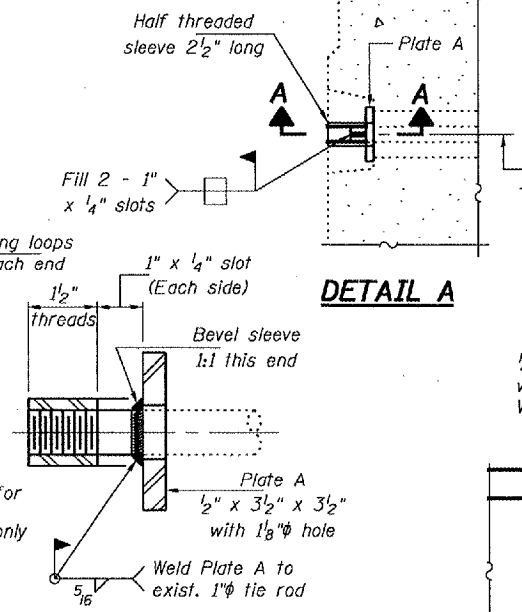
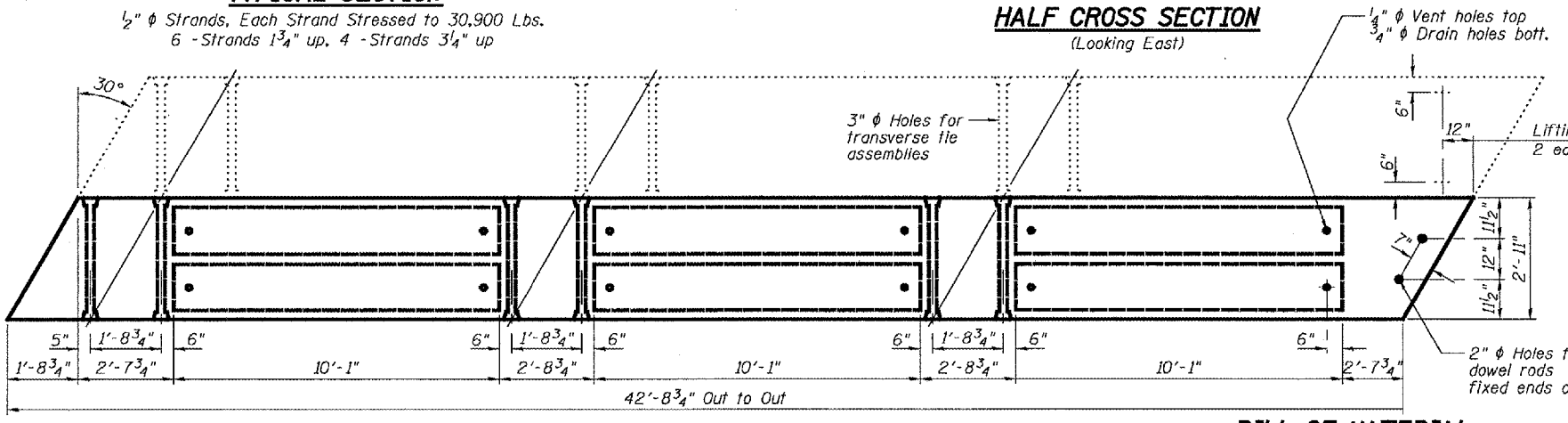
ELEVATION NEW JOINT P
TO EXISTING JOINT P



*Existing dowel rods are to be burned off, ground flush, and sealed with epoxy prior to placement of new beams. After beams have been erected holes shall be drilled into cap and dowel rods placed. Dowel holes shall be filled with non-shrink grout to top of beam and allowed to cure a minimum of 24 hours prior to grouting the shear keys.

TRANSVERSE PLACEMENT GUIDELINES

1. Place strands symmetrically about centerline of beam.
 2. The minimum distance from center to center of strands in all directions shall be 2".
 3. The minimum clearance from strand to dowel hole shall be 1/2".
 4. The minimum clearance from strand to void shall be 1/2".
- Vertical placement of strands shall not be adjusted to satisfy the above guidelines.

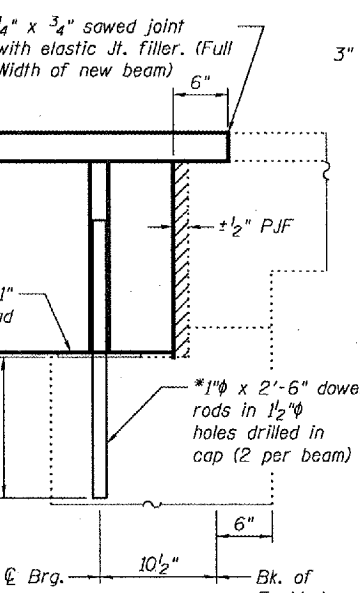


BILL OF MATERIAL

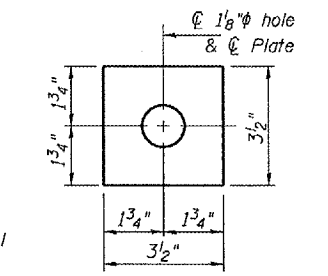
Precast Prestressed Conc. Deck Bms.	Sq. Ft.	125

NOTES

Prestressing steel shall be uncoated high strength, low relaxation 7-wire strand, Grade 270. The nominal diameter shall be 1/2" and the nominal cross-sectional area shall be 0.153 sq. in. Lifting loops shall be 2-1/2" φ-270 ksi strands, as shown. The 1" φ rods in the transverse tie assembly shall be tightened to a snug fit and the threads set. Pockets that receive transverse tie bar on outside shall be filled with grout after transverse tie assembly is in place. The bearing seat surfaces shall be adjusted by shimming to assure firm and even bearing. Two 1/8" fabric adjusting shims of the dimensions shown shall be provided for each bearing. Keyway surfaces shall be cleaned to remove form oil or other bond breaking material prior to shipment of the beams. Cleaning shall be done by sandblasting the keyway areas between top of the beam and the bottom edge of the key. Corrosion Inhibitor, according to Articles 1020.05(b)(12) and 1021.06 of the Standard Specifications, shall be used in the concrete for precast prestressed concrete deck beams. Required Release Strength, f'ci, shall be 4,000 p.s.i.



ADJUSTING SHIMS



BEAM DETAILS

RT. 141 OVER CANE
CREEK TRIB.
WHITE COUNTY
SN 097-0037

DESIGNED	A.T.H.	November 9, 2006
CHECKED	S.J.B.	EXAMINED <i>John A. Morris</i>
DRAWN	Drew Christopher	PASSED <i>Ralph E. Anderson</i>
CHECKED	A.T.H., S.J.B.	ENGINEER OF BRIDGES AND STRUCTURES

STAMP AREA
This will not show up on the final plans when "Construction" Line Types are turned off. Snap to the Center of this rectangle to center STAMP in the area. Place STAMP on the Title Block Model.