

FR037

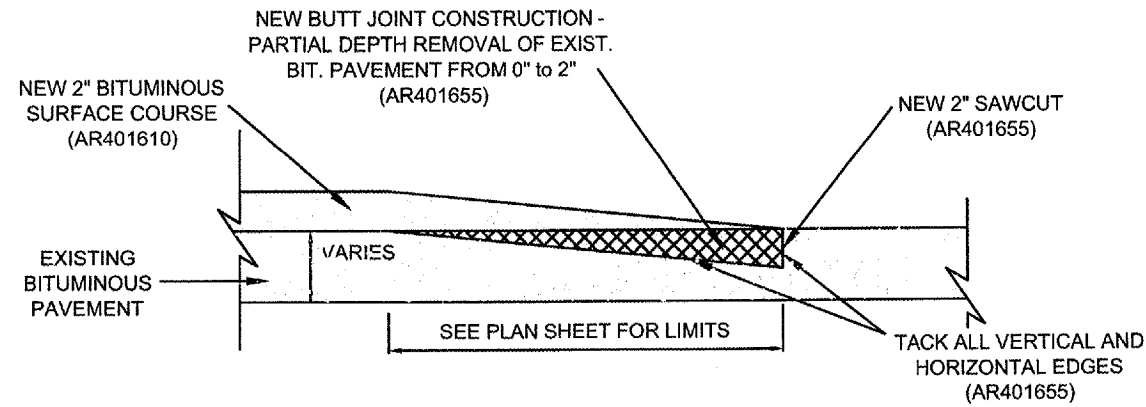


Freeport, Illinois

City of Freeport

AIP: 3-17-0045-B20
FEP-3129

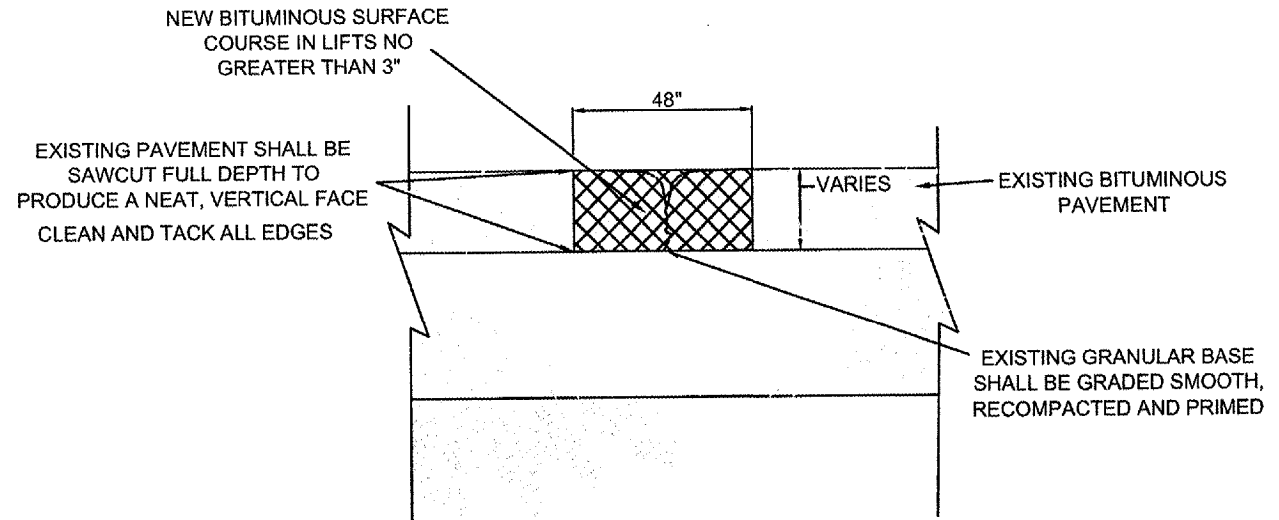
Airfield Pavement
Repairs



AR401655 BUTT JOINT CONSTRUCTION

NO SCALE

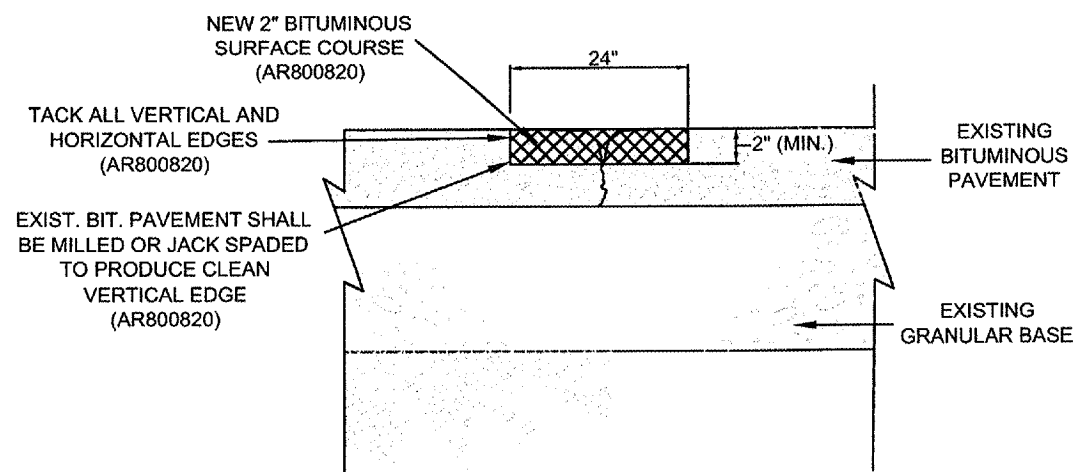
(SAWCUTTING, REMOVAL AND DISPOSAL OF EXIST. PAVEMENT; TACKING VERTICAL AND HORIZONTAL EDGES SHALL BE INCIDENTAL TO THIS ITEM)



AR401910 REMOVE & REPLACE BIT. PAVEMENT

NO SCALE

(SAWCUTTING, REMOVAL AND DISPOSAL OF EXIST. PAVEMENT; REGRADING AND RECOMPACTING OF EXIST. BASE; TACKING VERTICAL EDGES, PRIMING BASE, PLACING AND COMPACTING SURFACE COURSE SHALL BE INCIDENTAL TO THIS ITEM)

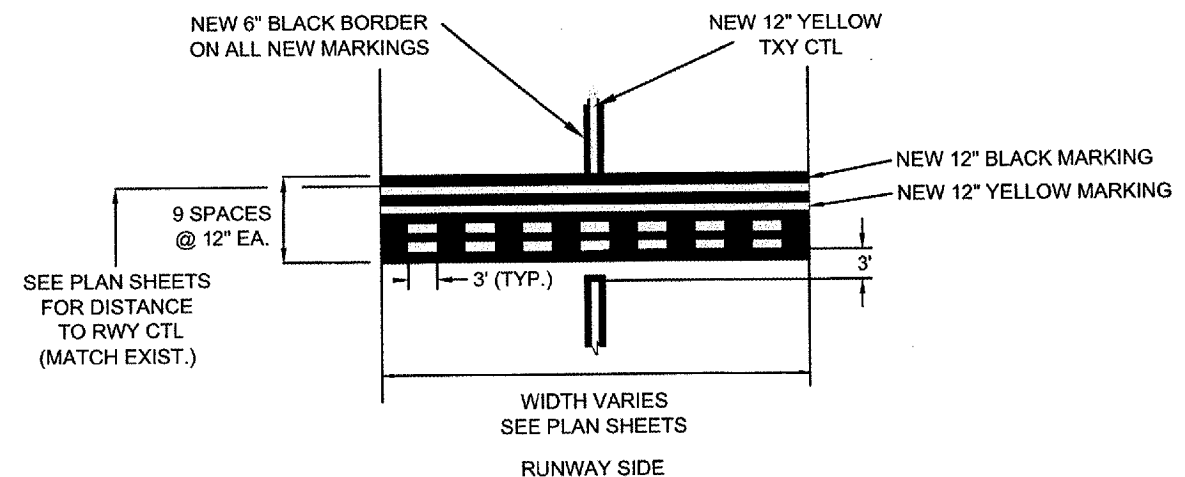


AR800820 REM. & REPL. BIT. PVMNT. (PARTIAL DEPTH)

NO SCALE

(SAWCUTTING, REMOVAL AND DISPOSAL OF EXIST. PAVEMENT; TACKING VERTICAL AND HORIZONTAL SURFACES; PLACING AND COMPACTING SURFACE COURSE SHALL BE INCIDENTAL TO THIS ITEM)

AIRCRAFT HOLDING SIDE



RUNWAY HOLDING POSITION MARKING

NO SCALE

NOTE: ALL TAXIWAY AND APRON MARKINGS SHALL BE REPLACED WITHIN THE PROJECT WORK LIMITS SHOWN.

Revisions

No.	Date	Description

0 1
THIS BAR IS EQUAL TO 1" AT FULL SCALE (17 X 11).

DESIGN BY: CMT-RFD

DRAWN BY: CMT-RFD

CHECKED BY: CMT-RFD

APPROVED BY: JGP

DATE: 6.9.2006

JOB No: 06294-02-00

MISCELLANEOUS
DETAILS - 1
(DTL1)