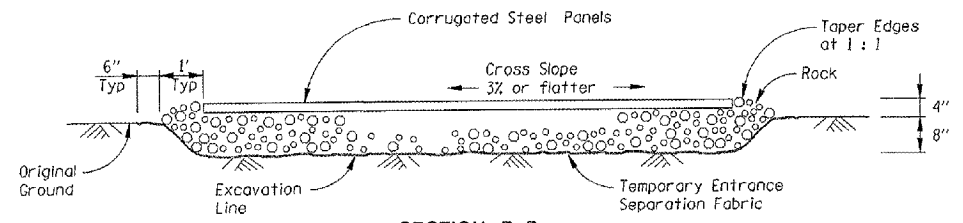
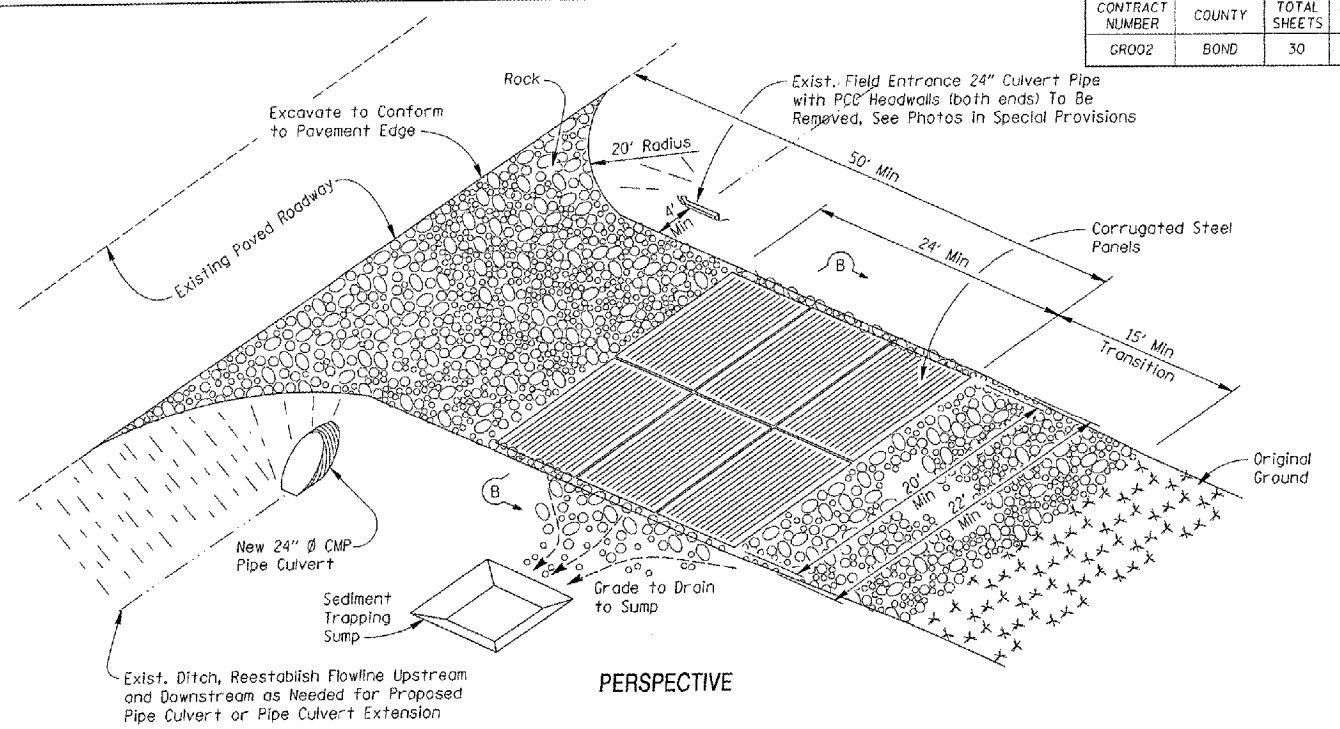
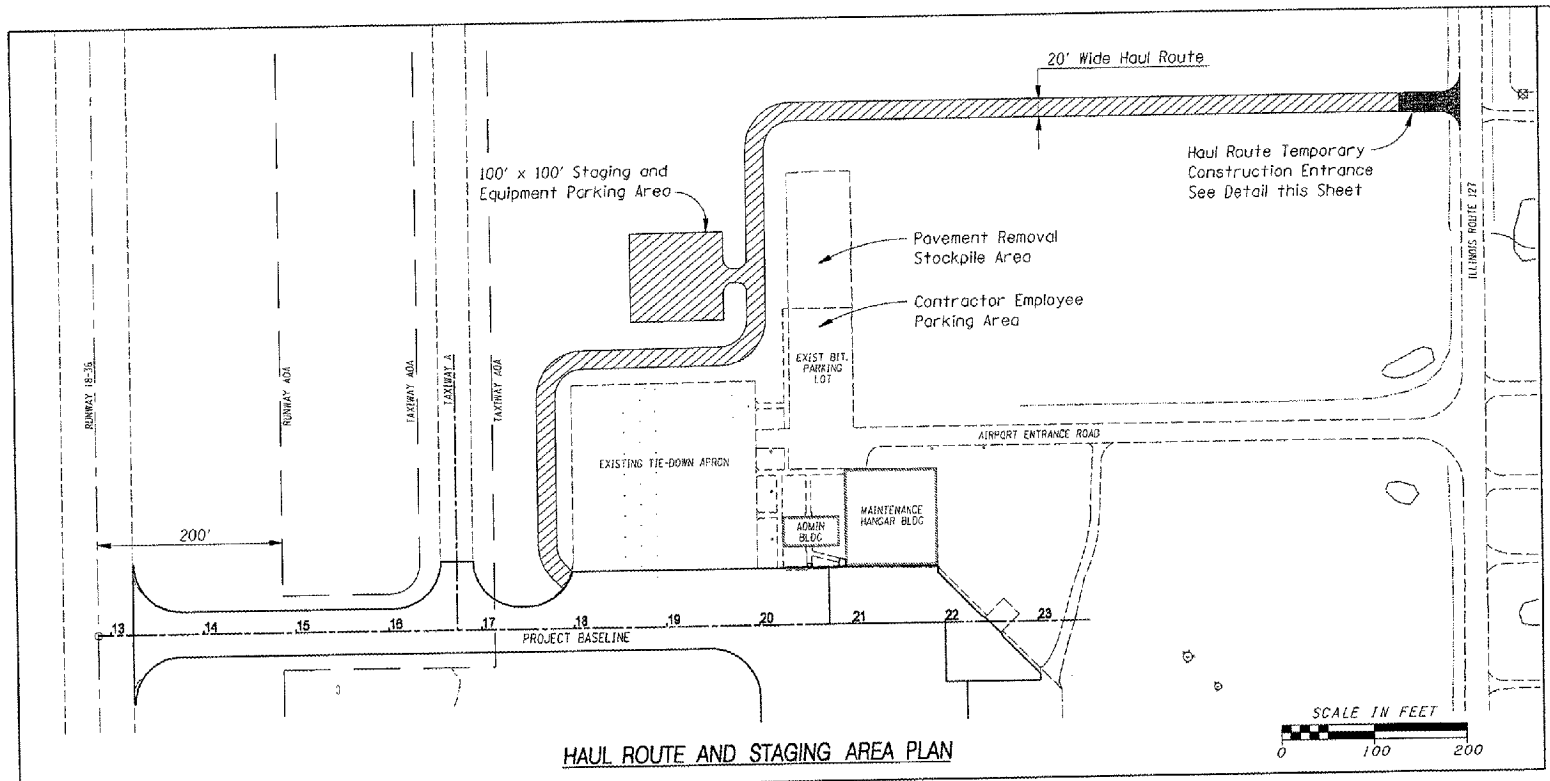
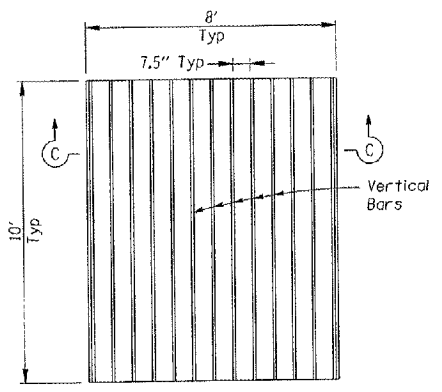


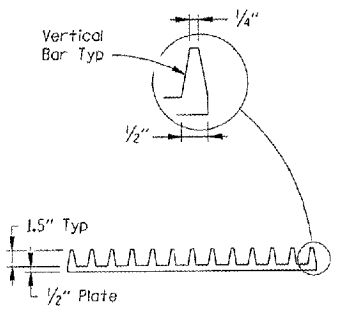
CONTRACT NUMBER	COUNTY	TOTAL SHEETS	SHEET NO.
GRO02	BOND	30	5



SECTION B-B
TEMPORARY CONSTRUCTION ENTRANCE DETAIL

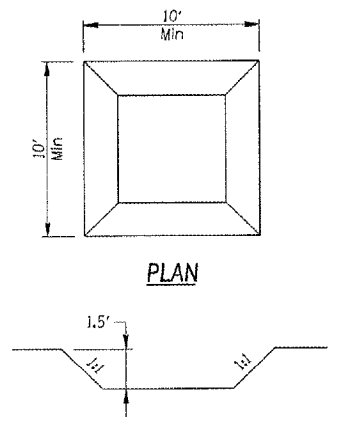


PLAN



SECTION C-C

CORRUGATED STEEL PANEL DETAIL



PLAN

ELEVATION

SEDIMENT TRAPPING SUMP

HAUL ROUTE, STAGING AND VEHICLE OPERATIONS

1. Strict control of construction vehicles shall be maintained and only essential construction equipment and vehicles will be allowed in the movement area.
2. Contractor employees will be allowed to use the far north side of the existing airport auto parking lot or the staging area for parking their vehicles. Use of personal vehicles beyond these areas will not be allowed.
3. Access to the job site shall be via the haul route designated on the safety plan or as directed by the Engineer. The designated haul route shall be the only access to the job site for construction purposes used by the Contractor, his employees or his subcontractors.
4. The existing area identified as the proposed haul route and staging/parking area consists of agricultural vegetation and turf grass. The Contractor will be allowed to park his vehicles and store his materials in a 100' x 100' area located west of the airport parking lot and north of the tie-down apron.
5. The Contractor shall store all equipment and materials within the staging and equipment parking area shown on the safety plan. The maximum height of equipment, materials and/or stockpile shall not exceed 25 feet above ground elevation.
6. The Contractor's equipment shall be stored in the staging area when construction is not in progress.
7. The Contractor will be required to construct a haul route temporary construction entrance at the location shown on the Safety Plan and in accordance with the details on this sheet. An existing field entrance approximately 20' wide at grade with the edge of pavement of Illinois Route 127 is at the location of the proposed construction entrance. The field entrance consists of mixed aggregate and turf grass at the surface and is bordered on each side by two pcc headwalls which serve as end sections for a 24" clay pipe culvert under the entrance (see photos in the Special Provisions). The Contractor shall remove the existing culvert and headwalls and dispose of offsite. The Contractor shall place a new 24" CMP Pipe Culvert at the existing ditch flowline. The pipe culvert shall be cut flush with the foreslope embankment (1:4 typical) of the new entrance or be constructed with a metal end section on each side (see IDOT Standard 542401). The approximate length of pipe culvert material required shall be 46 lineal feet. The rock used in the construction of the entrance shall conform to IDOT Gradation CA-3 and shall be placed in accordance with Section 208 the Standard Specifications. The steel panels shall be approved by the Engineer prior to their installation. The separation fabric shall be constructed in accordance with Item AR156513 Separation Fabric of the Special Provisions. The new pipe culvert and end sections shall be constructed in accordance with Section 701 of the Standard Specifications or as directed by the Engineer.
8. The Contractor shall be required to maintain the proposed haul route, staging area and construction entrance throughout the course of the project. At the conclusion of the project, the Contractor shall grade, disk, fertilize, seed and mulch the haul route and staging/equipment parking areas as needed to restore these areas back to their original state. Damage to any other areas outside of the construction limits shall be repaired by the Contractor back to their original condition or to the satisfaction of the Resident Engineer. The steel plates and sediment sump shall be cleaned/removed from the construction entrance and the aggregate regraded to the satisfaction of the Engineer. The remainder of the entrance shall be left in place. All work associated with the construction, maintenance, repair, and restoration of all haul routes, staging/parking areas and construction entrances shall be considered incidental to Item AR150530 Traffic Maintenance and no additional compensation will be allowed.

DATE	DESCRIPTION OF THE REVISIONS	BY
03-20-06	REVISED AND REPACKAGED FOR JAN. '07 LETTING	RSN

GREENVILLE AIRPORT AUTHORITY GREENVILLE, ILLINOIS

HENRY, MEISENHEIMER & GENDE, INC.
ENGINEERS
CARLYLE, ILLINOIS 62231
www.hmgeni.com
(618) 504-3711 Fax (618) 594-8217

**CONSTRUCTION SAFETY PLAN
HAUL ROUTE AND STAGING AREA**

IL PROJ. NO.	GRE-3215
A.I.P. PROJ. NO.	3-17-0049-B4
FILE NAME	GA-SAFETY03
DATE	01-19-2007

H.M.G. NO. 6596