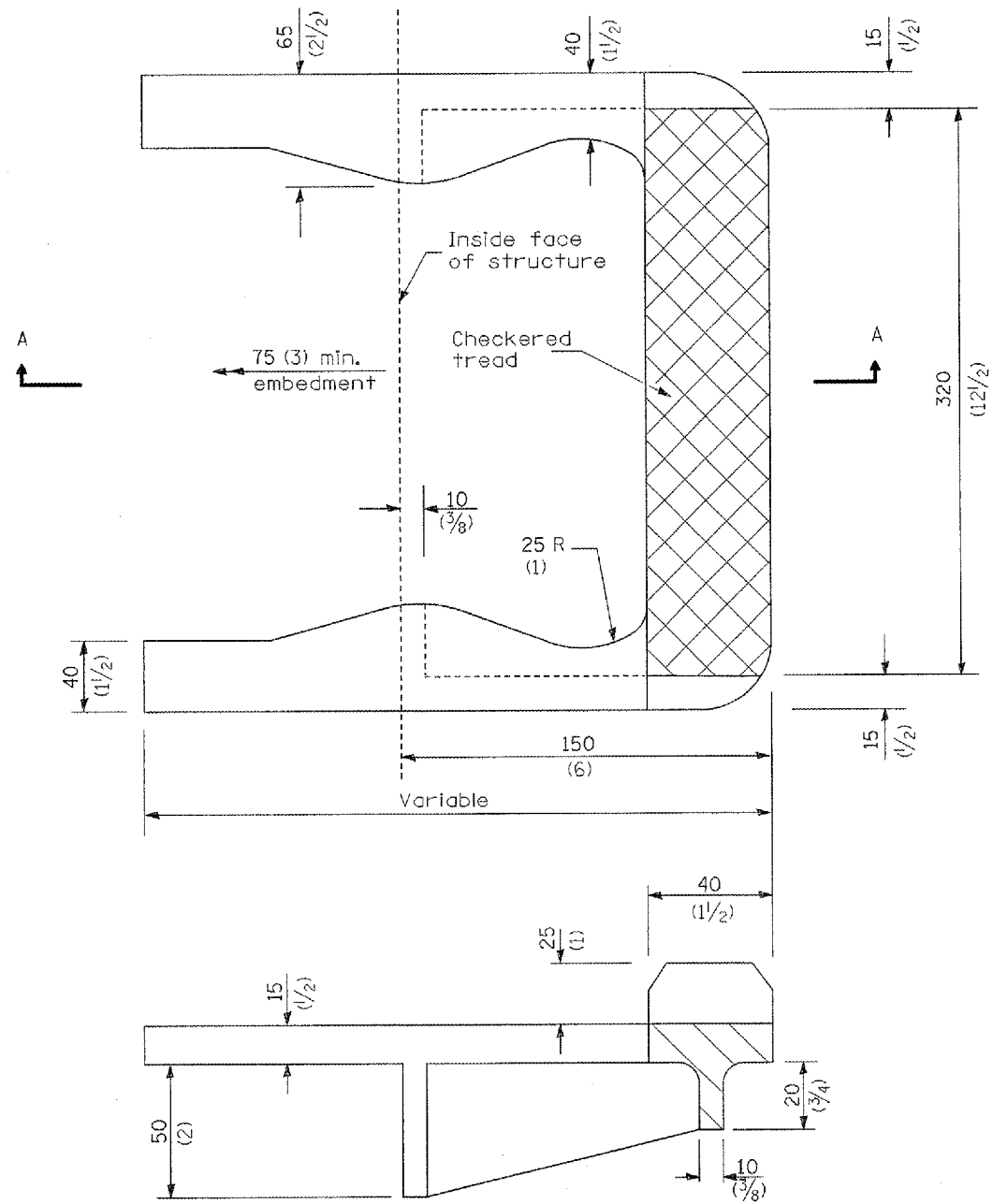
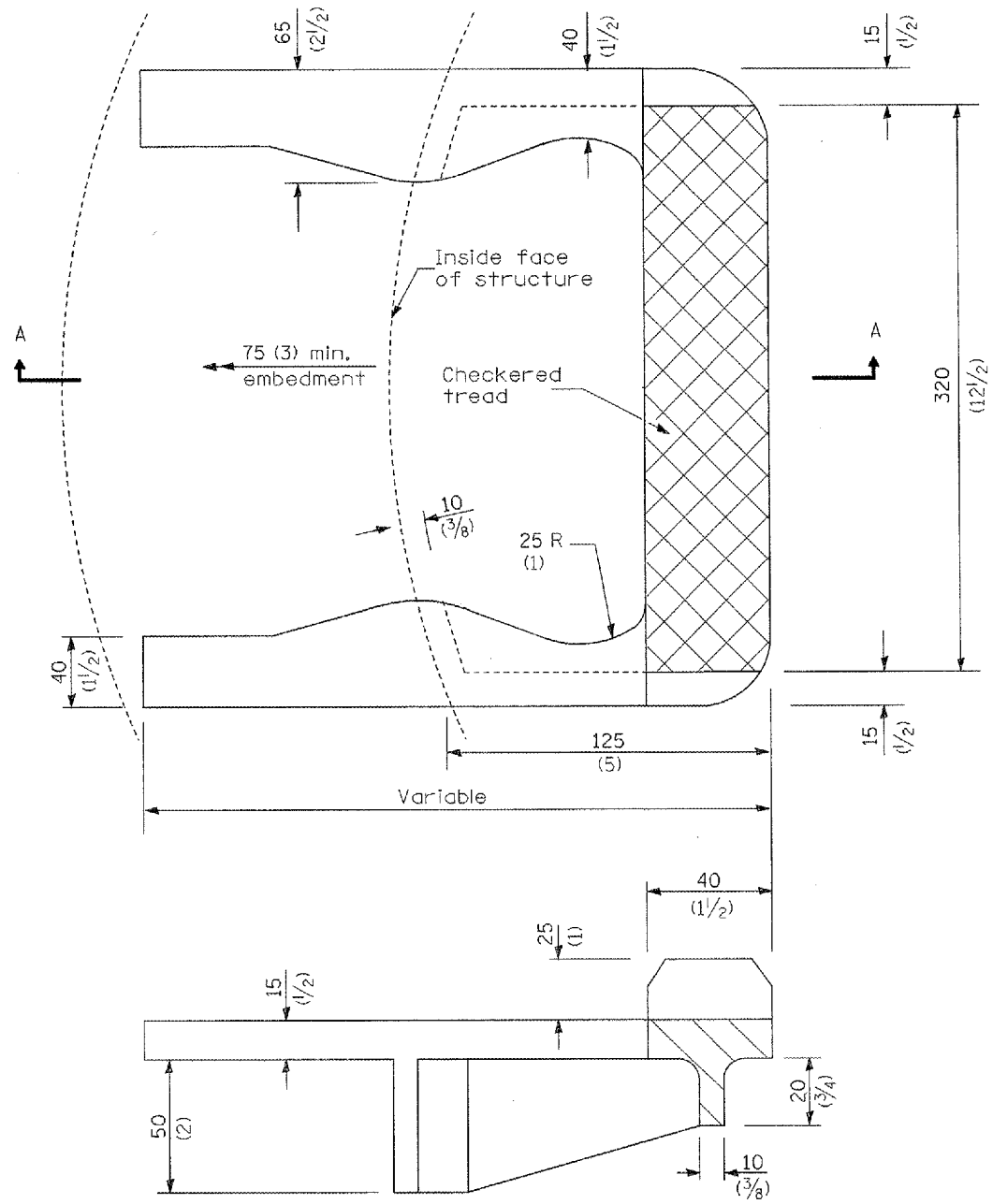


CONTRACT NUMBER	COUNTY	TOTAL SHEETS	SHEET NO.
GR002	BOND	30	22



SECTION A-A  
STRAIGHT WALL STRUCTURE



SECTION A-A  
CIRCULAR WALL STRUCTURE

All dimensions are in millimeters (inches) unless otherwise shown.



DATE	DESCRIPTION OF THE REVISIONS	BY
09-20-06	REVISED AND REPACKAGED FOR JAN. '07 LETTING	RGH

GREENVILLE AIRPORT AUTHORITY GREENVILLE, ILLINOIS

HENRY, MEISENHEIMER & GENDE, INC.  
ENGINEERS  
CARLYLE, ILLINOIS 62231  
www.hmgengineers.com  
(618) 504-3711 Fax (618) 504-8217

CAST IRON STEPS	ILL. PROJ. NO. GRE-3215
	A.I.P. PROJ. NO. 3-17-0049-B4
STANDARD 602701	FILE NAME IDOT-602701
	DATE 01-19-2007

H.M.G. NO. 5536