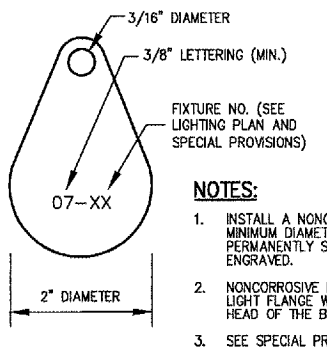
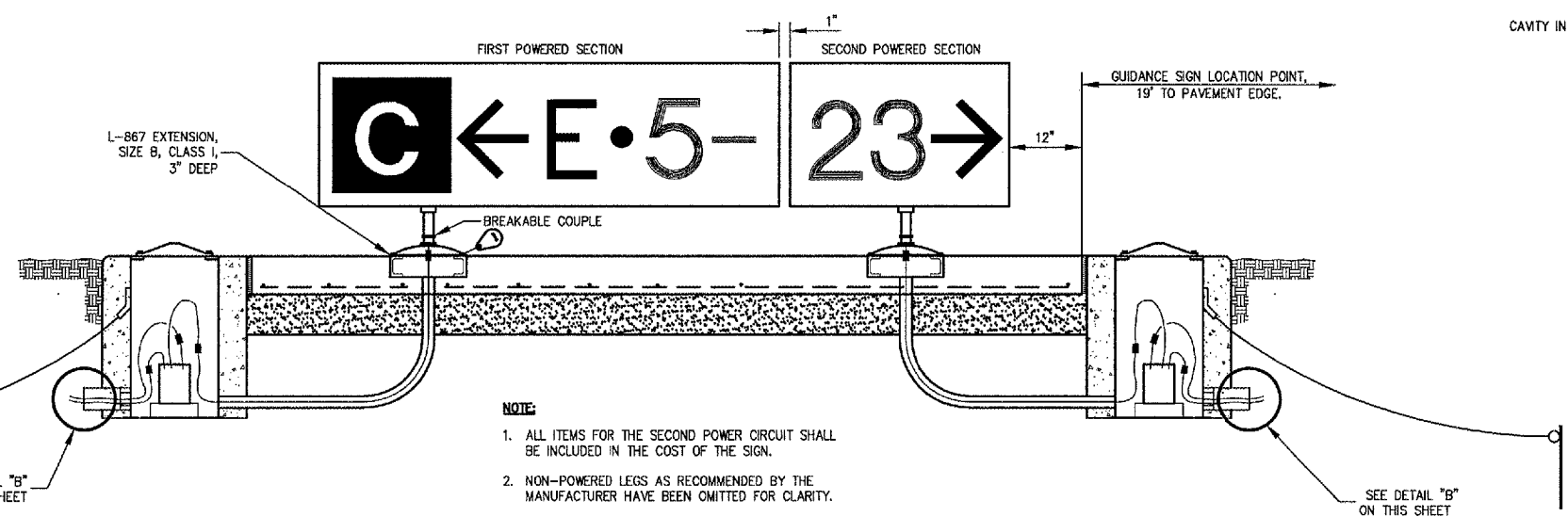
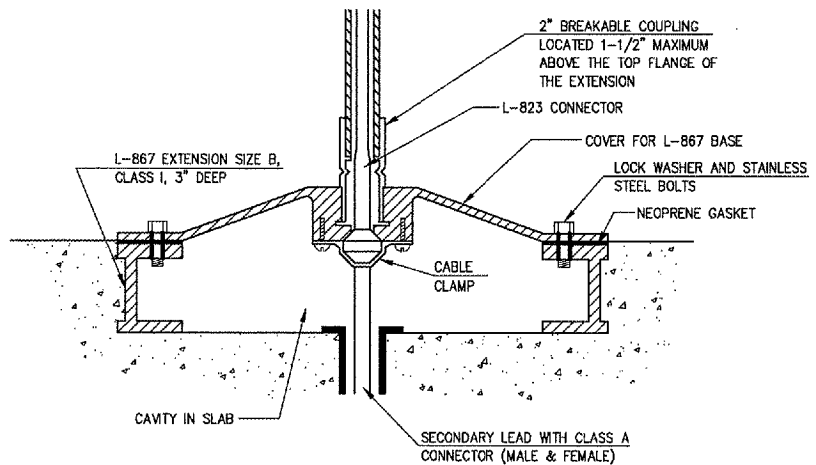


- NOTES:**
- EXISTING SOD TO BE STRIPPED AND REMOVED
 - SAND BACKFILL, VARIABLE DEPTH
 - PROPOSED TOPSOIL BACKFILL MATERIAL

- NOTES:**
- SEE SIGNAGE PLAN FOR SPECIFIC LETTERING AND NUMBER OF MODULE FOR EACH SIGN.
 - FOR SIGNS WITH ONLY ONE LEGEND FACE, SECOND LEGEND TO BE PROVIDED WITH BLANK BLACK PANEL.
 - NON-POWERED LEGS AS RECOMMENDED BY THE MANUFACTURER HAVE BEEN OMITTED FOR CLARITY.
 - ALL CONNECTION AT GROUND RODS SHALL BE EXOTHERMIC WELDS.



LIGHTED AIRPORT GUIDANCE SIGN



- NOTE:**
- ALL ITEMS FOR THE SECOND POWER CIRCUIT SHALL BE INCLUDED IN THE COST OF THE SIGN.
 - NON-POWERED LEGS AS RECOMMENDED BY THE MANUFACTURER HAVE BEEN OMITTED FOR CLARITY.

LIGHTED AIRPORT GUIDANCE SIGN WHEN TWO POWER CIRCUITS ARE REQUIRED

DETAILS SHOWN ARE NOT TO SCALE

No.	Drawing Issue Description	Date	By

Date

NOVEMBER 10, 2006

Sheet Title

SIGNAGE AND ELECTRICAL DETAILS

831-06A8004

Project Number

LDH 05/18/06

Layout By Date

LDH 05/18/06

Designed By Date

RMH 11/10/06

Reviewed By Date

LDH

Drawn By

I:\06\055\00371\06A8004\DRAWINGS\SHEETS\22-DETAILS.DWG NOV 13, 2006 3:01PM LDH