



HANSON PROFESSIONAL SERVICES INC.

815 Commerce Drive, Suite 200
Oak Brook, Illinois 60523
Telephone: 630.990.3800
Fax: 630.990.3801



WAUKEGAN REGIONAL AIRPORT
WAUKEGAN PORT DISTRICT

3580 North McAree Road
Waukegan, Illinois 60087
Telephone: 847.244.0066
Fax: 847.244.3813

AIRFIELD SIGNAGE IMPROVEMENTS

AIP PROJECT NO. 3-17-0105-B35
IDA PROJECT NO. UGN-3650

No.	Drawing Issue Description	Date	By

Date

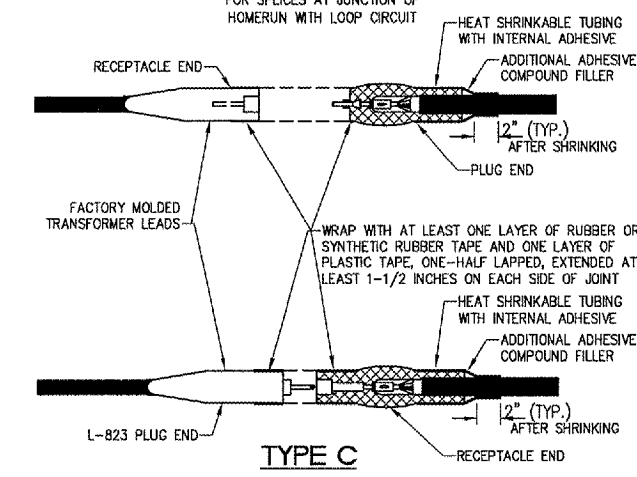
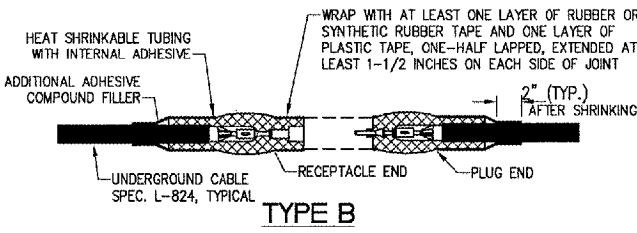
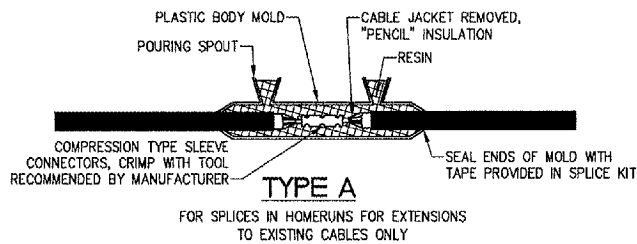
NOVEMBER 10, 2006

Sheet Title

SIGNAGE AND
ELECTRICAL DETAILS

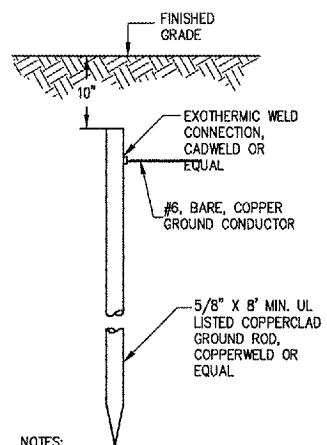
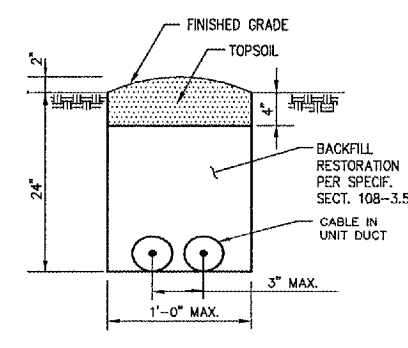
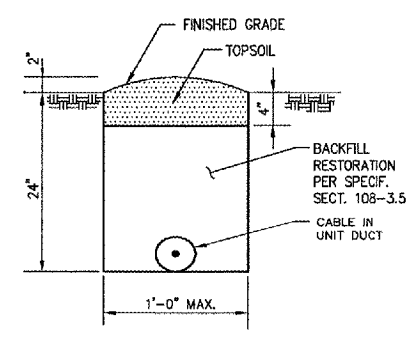
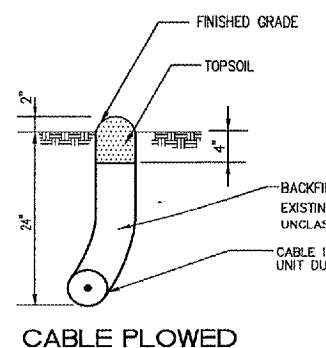
831-06A8004
Project Number
LDH 05/18/06
Layout By Date
LDH 05/18/06
Designed By Date
RMH 11/10/06
Reviewed By Date
LDH
Drawn By

Sheet No.



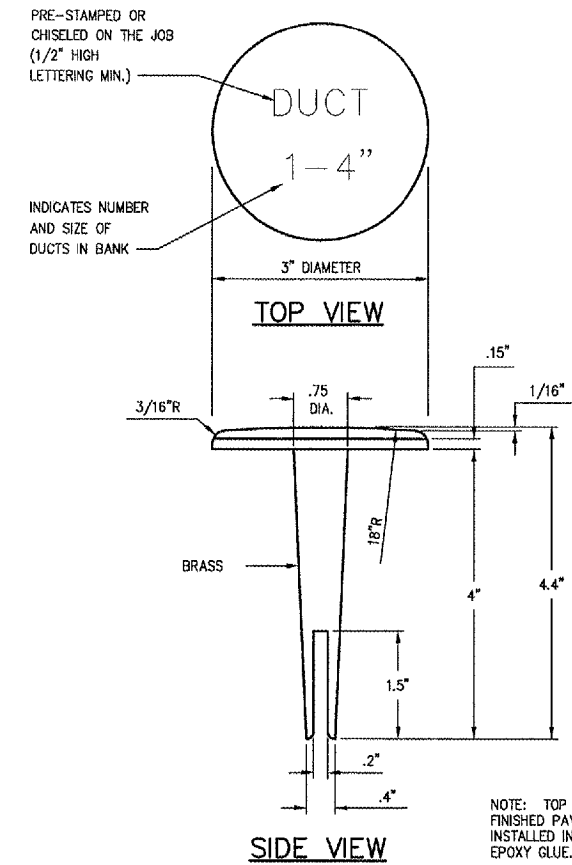
NOTES:
SEE PROPOSED LIGHTING LAYOUT SHEET(S) FOR SPLICE TYPE.
INSIDE DIAMETER OF CONNECTOR SHALL PROPERLY MATCH THE OUTSIDE DIAMETER OF CABLE.

CABLE SPLICES
(NOT TO SCALE)



- NOTES:
- TYPE AND MINIMUM NUMBER OF GROUND RODS SHALL BE AS SPECIFIED ON THE PLAN.
 - THE RESISTANCE TO GROUND OF THE GROUNDING SYSTEM SHALL NOT EXCEED 25 OHMS.
 - COST OF GROUND RODS IS INCIDENTAL TO THE ASSOCIATED ITEMS REQUIRING GROUNDING UNLESS OTHERWISE SPECIFIED.
 - GROUND RODS SHALL NOT BE SPACED LESS THAN ONE ROD LENGTH APART.

GROUND ROD
(NOT TO SCALE)

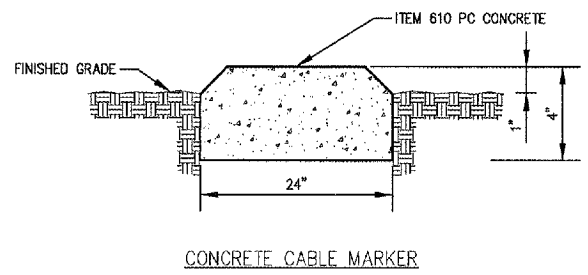
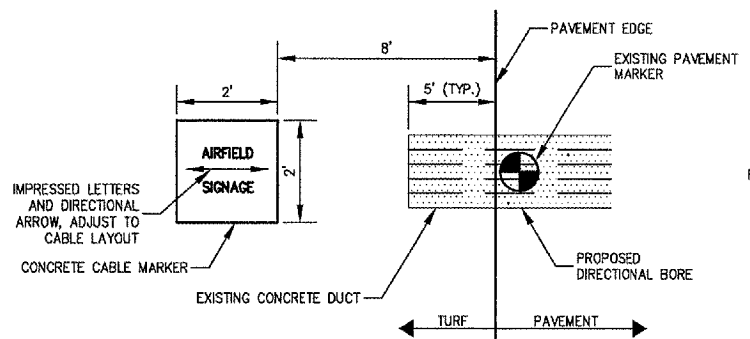


- NOTES:
- THE COSTS OF ALL TURF AND PAVEMENT DUCT MARKERS SHALL BE INCIDENTAL TO THE DUCT. THE COST OF ALL CABLE MARKERS SHALL BE INCIDENTAL TO THE CABLE.
 - BITUMINOUS PAVEMENT DUCT MARKER AND CONCRETE DUCT MARKER TO BE PROVIDED AT EACH END OF EACH DUCT AS SHOWN ON THE LOCATION PLAN. FOR CONCRETE PAVEMENT, THE LETTER "D" SHALL BE IMPRESSED IN THE PAVEMENT INSTEAD OF THE MARKER. THE LETTER SHALL BE FORMED AS DESCRIBED IN NOTE 4.
 - CABLE MARKERS SHALL BE PLACED AT CHANGES OF DIRECTION AND EVERY 200' ALONG CABLE RUNS.
 - LETTERS 4" HIGH, 3" WIDE WITH WIDTH OF STROKE 1/2" AND 1/4" DEEP. ALL LETTERS, NUMBERS AND ARROWS TO BE IMPRESSED.

NOTE: TOP OF MARKER SHALL BE FLUSH WITH FINISHED PAVEMENT SURFACE. MARKER MAY BE INSTALLED IN A DRILLED HOLE AND SECURED WITH EPOXY GLUE.

BITUMINOUS PAVEMENT MARKER

TURF AND PAVEMENT DUCT AND CABLE MARKERS



- NOTES:
- ALL CABLE SHALL BE PROVIDED WITH TURF CABLE MARKERS.
 - THE COSTS OF ALL CABLE AND DUCT MARKERS SHALL BE INCIDENTAL TO THE CABLE AND DUCT.
 - CABLE MARKERS SHALL BE PLACED AT CHANGES OF DIRECTION AND EVERY 200' ALONG CABLE RUNS.
 - LETTERS 4" HIGH, 3" WIDE WITH WIDTH OF STROKE 1/2" AND 1/4" DEEP. ALL LETTERS, NUMBERS AND ARROWS TO BE IMPRESSED.
 - DUCT LOCATIONS SHALL BE FURNISHED WITH CONCRETE DUCT AND IN PAVEMENT BRASS MARKERS.

TURF CABLE AND DUCT MARKERS

DETAILS SHOWN ARE NOT TO SCALE

A: 10610051 000831 00AR004 00RAN005 SHEET IS 23-DETAILS.DWG NOV 13, 2006 2:49PM LDH