



HANSON PROFESSIONAL SERVICES INC.

815 Commerce Drive, Suite 200
Oak Brook, Illinois 60523
Telephone: 630.990.3800
Fax: 630.990.3801



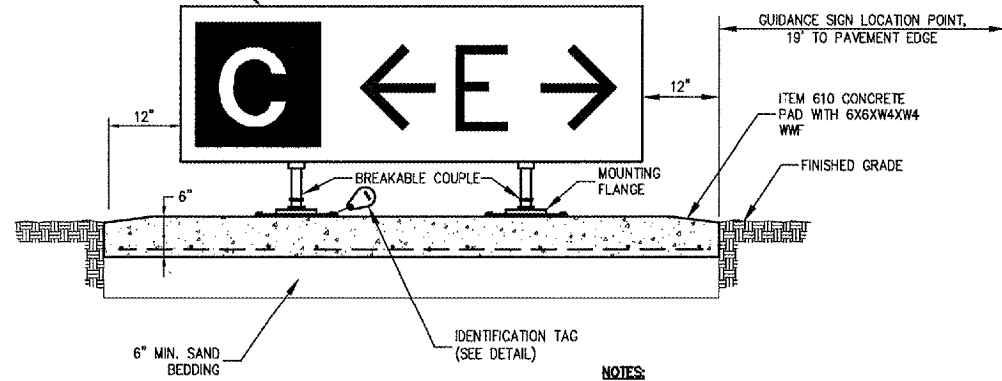
WAUKEGAN REGIONAL AIRPORT
WAUKEGAN PORT DISTRICT

3580 North McAree Road
Waukegan, Illinois 60087
Telephone: 847.244.0066
Fax: 847.244.3813

AIRFIELD SIGNAGE IMPROVEMENTS

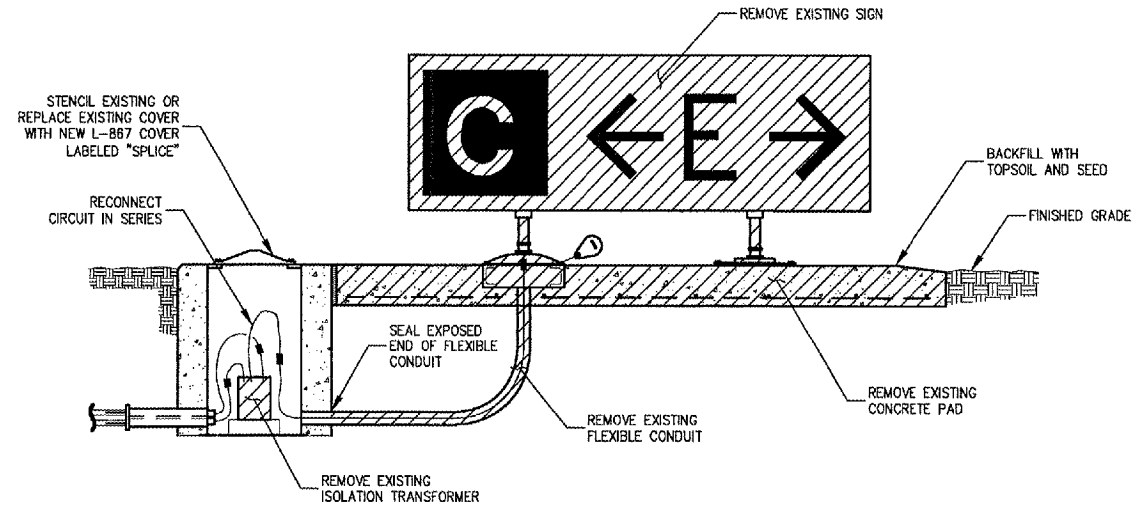
AIP PROJECT NO. 3-17-0105-B35
IDA PROJECT NO. UGN-3650

L-858 SIGN, SIZE 1, STYLE 4, CLASS
2, MODE 2; SEE LIGHTING PLANS AND
SPECIAL PROVISIONS

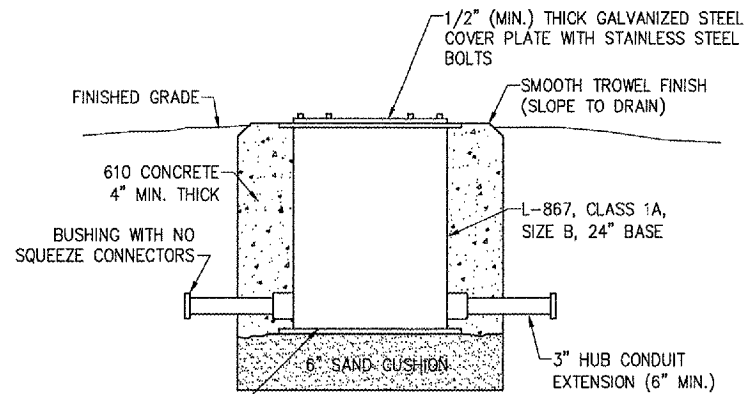


- NOTES:**
1. SEE SIGNAGE PLAN FOR SPECIFIC LETTERING AND NUMBER OF MODULE FOR EACH SIGN.
 2. FOR SIGNS WITH ONLY ONE LEGEND FACE, SECOND LEGEND TO BE PROVIDED WITH BLANK BLACK PANEL.

REFLECTIVE AIRPORT GUIDANCE SIGN

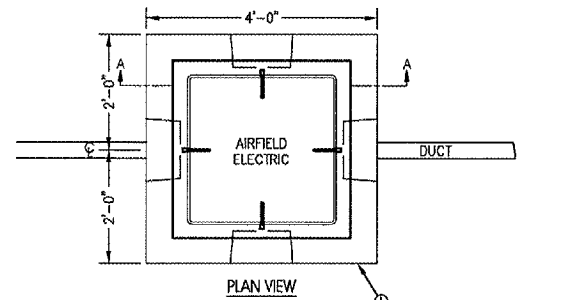


AIRPORT GUIDANCE SIGN REMOVAL DETAIL

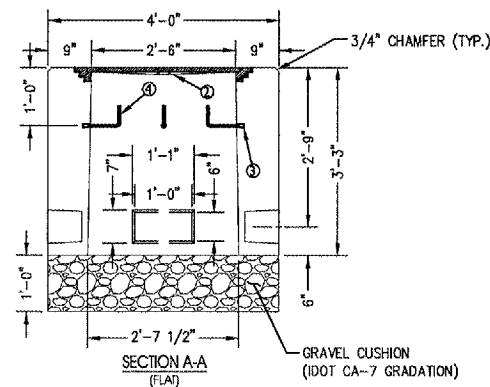


SPLICE CAN
(NOT TO SCALE)

INCLUDE INTERNAL AND
EXTERNAL GROUND LUGS



PLAN VIEW



SECTION A-A
(FLAT)

PARTS LIST (PER EACH)		
ITEM	DESCRIPTION	QUANTITY
1	PRECAST CONCRETE JUNCTION BOX	1
2	CAST IRON FRAME & COVER EAST JORDAN IRON WORKS B213 OR EQUAL WITH CONCEALED HINGE COVER. LETTERING "AIRFIELD ELECTRIC".	1
3	3/8" PLASTIC THREADED INSERT	4
4	3/8" # GALVANIZED CABLE HOOK	4

SPECIFICATIONS

CONCRETE: 5,000 P.S.I. @ 28 DAYS, 5%-8% ENTRAINED AIR, 4" MAX. SLUMP. IDOT CLASS P.C.

DESIGN CRITERIA: PRECAST VERSION OF ILLINOIS STATE TOLL HIGHWAY AUTHORITY STANDARD NO. RL 91-04 LIGHT AND HEAVY DUTY JUNCTION BOXES.

WEIGHT: 4,990# FLAT TOP

NOTES

1. HANDHOLE SHALL BE PRECAST AS DETAILED.
2. PRECAST HANDHOLE TO BE UTILITY CONCRETE PRODUCTS, LLC. 30" X 30" JUNCTION BOX OR APPROVED EQUAL.
3. LIDS FOR HANDHOLES SHALL BE LABELED "AIRFIELD ELECTRIC".
4. GRAVEL CUSHION SHALL BE INCIDENTAL TO THE HANDHOLE.

ELECTRICAL HANDHOLE

DETAILS SHOWN ARE NOT TO SCALE

P:\06\055\00831\06A8004\DRAWINGS\14-DETAILS.DWG NOV 13, 2006 2:49PM LDH

No.	Drawing Issue	Description	Date	By

Date
NOVEMBER 10, 2006
Sheet Title

SIGNAGE AND ELECTRICAL DETAILS

831-06A8004	Project Number
LDH	09/11/06
LDH	09/11/06
RMH	11/10/06
LDH	---