



HANSON PROFESSIONAL SERVICES INC.

815 Commerce Drive, Suite 200
Oak Brook, Illinois 60523
Telephone: 630.990.3800
Fax: 630.990.3801



WAUKEGAN REGIONAL AIRPORT
WAUKEGAN PORT DISTRICT

3580 North McAree Road
Waukegan, Illinois 60087
Telephone: 847.244.0066
Fax: 847.244.3813

AIRFIELD SIGNAGE IMPROVEMENTS

AIP PROJECT NO. 3-17-0105-B35
IDA PROJECT NO. UGN-3650

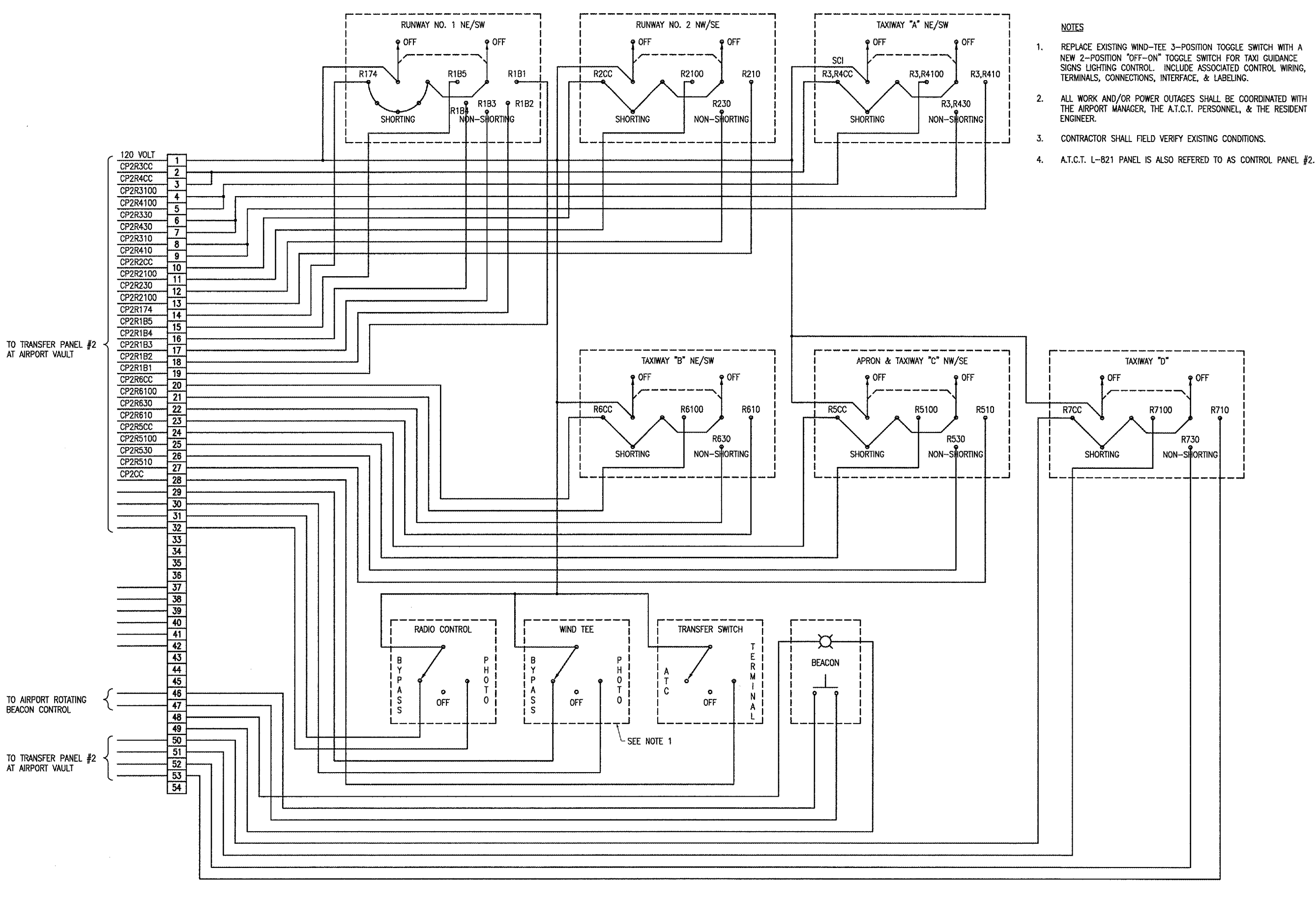
No.	Drawing Issue Description	Date	By

Date
NOVEMBER 10, 2006
Sheet Title

**EXISTING A.T.C.T. L-821
CONTROL PANEL
SCHEMATIC**

831-06A8004
Project Number
KNL 09/01/06
Layout By Date
KNL 09/01/06
Designed By Date
RMH 11/10/06
Reviewed By Date
MV
Drawn By Sheet No.

EXISTING A.T.C.T. L-821 CONTROL PANEL SCHEMATIC



- NOTES**
1. REPLACE EXISTING WIND-TEE 3-POSITION TOGGLE SWITCH WITH A NEW 2-POSITION "OFF-ON" TOGGLE SWITCH FOR TAXI GUIDANCE SIGNS LIGHTING CONTROL. INCLUDE ASSOCIATED CONTROL WIRING, TERMINALS, CONNECTIONS, INTERFACE, & LABELING.
 2. ALL WORK AND/OR POWER OUTAGES SHALL BE COORDINATED WITH THE AIRPORT MANAGER, THE A.T.C.T. PERSONNEL, & THE RESIDENT ENGINEER.
 3. CONTRACTOR SHALL FIELD VERIFY EXISTING CONDITIONS.
 4. A.T.C.T. L-821 PANEL IS ALSO REFERRED TO AS CONTROL PANEL #2.

TO TRANSFER PANEL #2
AT AIRPORT VAULT

TO AIRPORT ROTATING
BEACON CONTROL

TO TRANSFER PANEL #2
AT AIRPORT VAULT