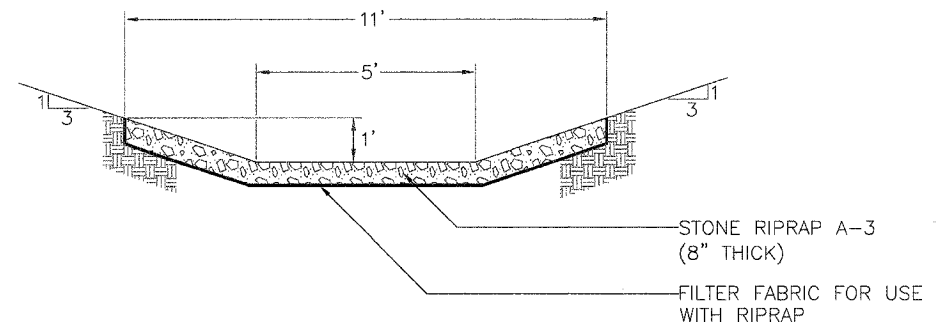
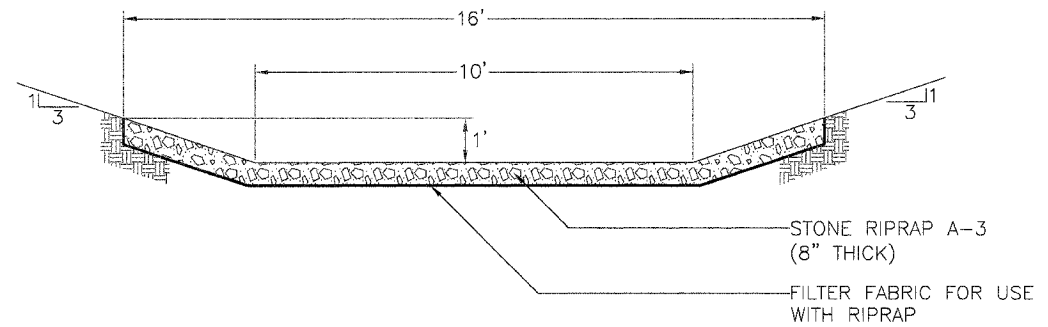


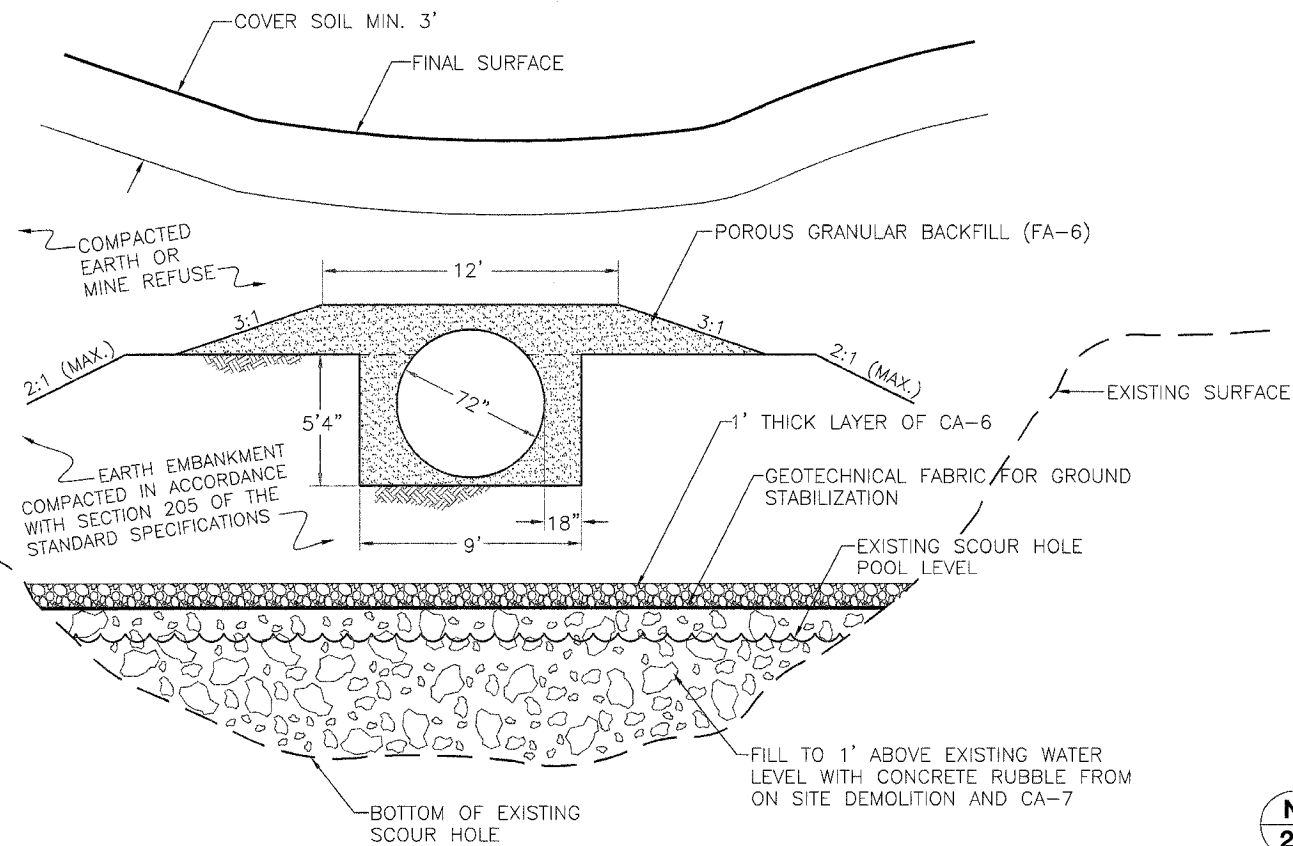
EXISTING CORRUGATED STRUCTURAL PLATE



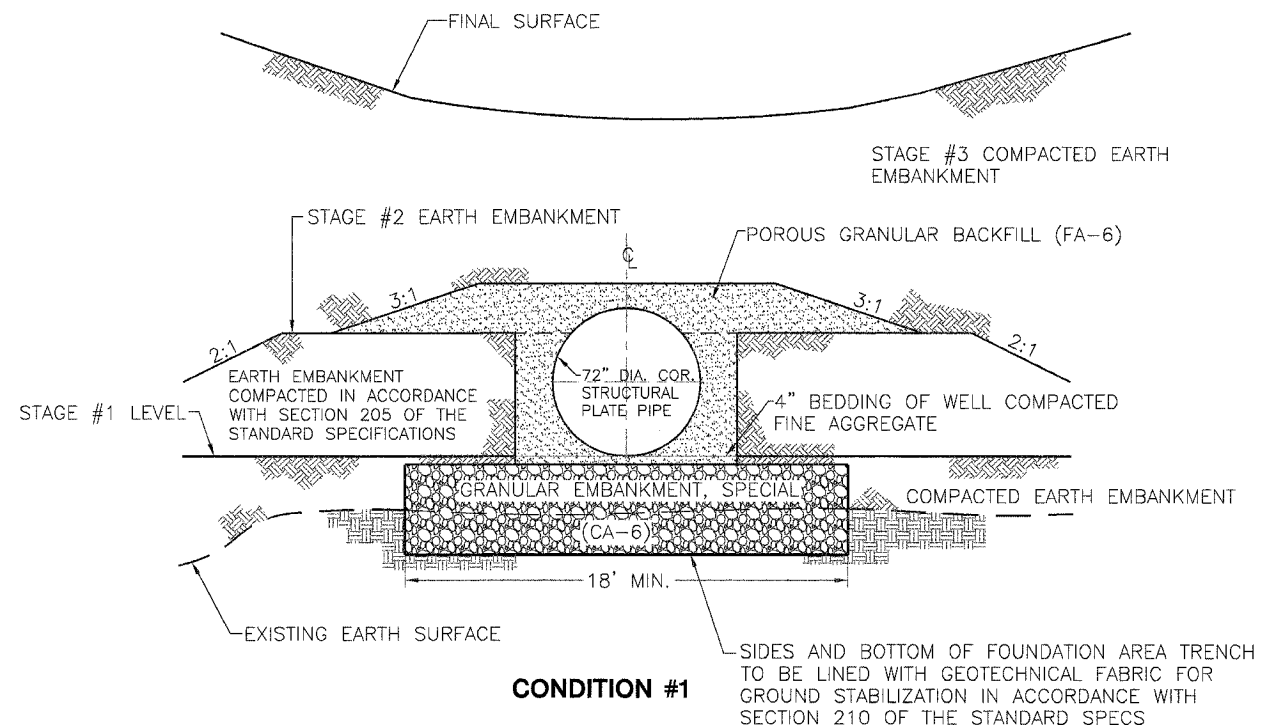
O RIPRAP LINED DITCH DETAIL
25 RUBY MINE
NOT TO SCALE



P RIPRAP LINED DITCH DETAIL
25 RUBY MINE
NOT TO SCALE



CONDITION #2



CONDITION #1

N METAL CORRUGATED STRUCTURAL
25 PLATE PIPE DETAILS
RUBY MINE
NOT TO SCALE