

ROUTE	SECTION	COUNTY	TOTAL SHEETS	SHEET NUMBER
VARIOUS	2005-044 I	WILL	12	7

Jefferson Street Bridge
 S/N: 099-0166
 US Route 30 EB/Des Plaines River

Sheet 1 of 2

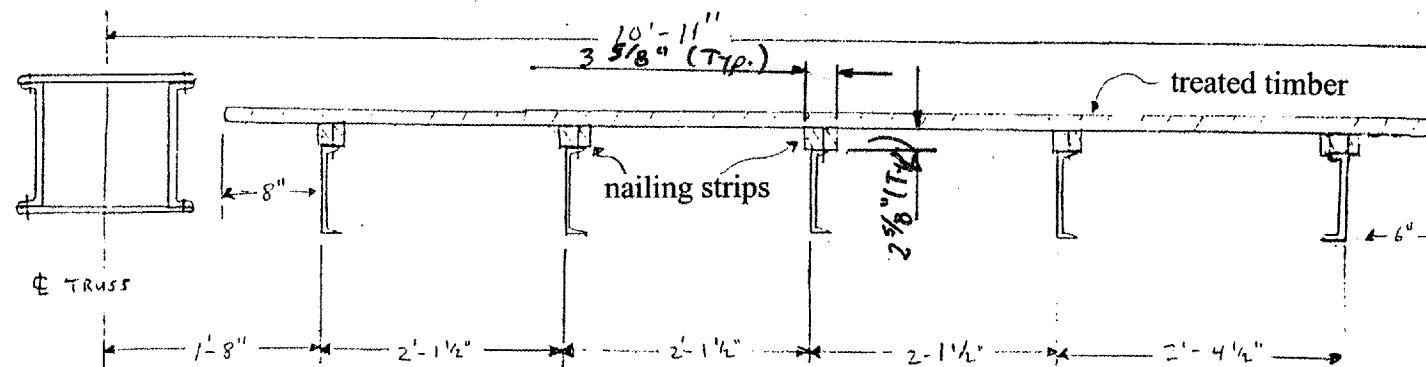
Timber Sidewalk Replacement Notes

- Use 3" x 4" treated timber nailing strip surfaced to 2-5/8" x 3-5/8". Secure nailing strip to sidewalk stringers with 5/8" x 4" long galvanized carriage head bolts at 2'-0" on center using existing holes in channel stringers. Beveled washers are required on channels.
- Use 2" x 10" treated timber deck plank for sidewalk surface. Use 3-1/2" long stainless steel deck screws to attach planks to nailing strip. Leave 1/8" gap between planks.

ITEM	UNIT	QUANTITY
TIMBER SIDEWALK REMOVAL AND REPLACEMENT	LUMP SUM	.37

APPROXIMATE QUANTITIES
 TIMBER = 10,200 FBM
 HARDWARE = 750 POUND

NOTE: ONLY ONE SIDEWALK SHALL BE CLOSED AT A TIME



View of cross-section of timber sidewalk.

Schedule of Quantities Needed -

- 2" x 10" x 10' treated timbers = 320 each
- 2" x 10" x 12' treated timbers = 66 each
- 2" x 10" x 14' treated timbers = 66 each
- 3" x 4" (2-5/8" x 3-5/8") x 16' treated timbers = 112 each
- 5/8" x 4" carriage bolts & nuts = 840 each
- 5/8" diameter bevel head washers = 840 each
- 3-1/2" long stainless steel deck screws = 90 lbs.

ILLINOIS DEPARTMENT OF TRANSPORTATION
 TIMBER SIDEWALK REPLACEMENT
 DETAIL
 LOC 2 (SN 099-0166)
 JEFFERSON ST BRIDGE

Rev. 1-3-06