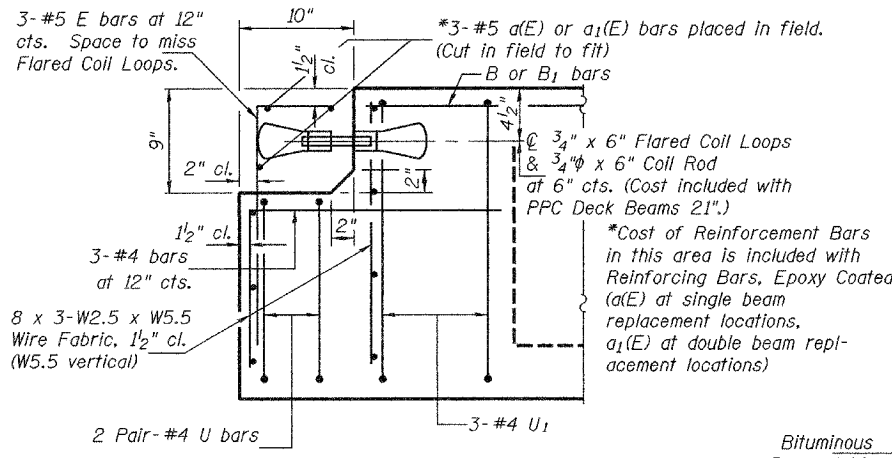


STATE OF ILLINOIS
DEPARTMENT OF TRANSPORTATION

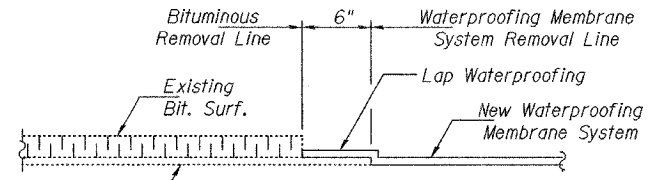
ROUTE NO.	SECTION	COUNTY	TOTAL SHEETS	SHEET NO.
		Cook	12	6
FED. ROAD DIST. NO. 7	ILLINOIS	FED. AID PROJECT-		

Contract Number: 60A82



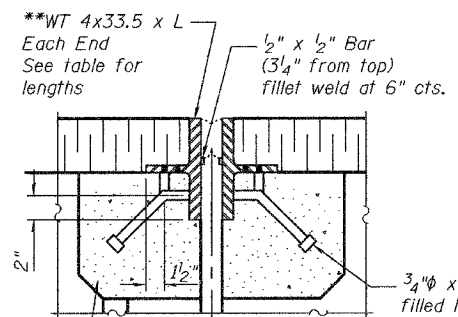
BAR E

*Cost of Reinforcement Bars in this area is included with Reinforcing Bars, Epoxy Coated (a(E) at single beam replacement locations, a1(E) at double beam replacement locations)



WATERPROOFING TREATMENT

END OF BEAM (EXP. END)



ENLARGED DETAIL A

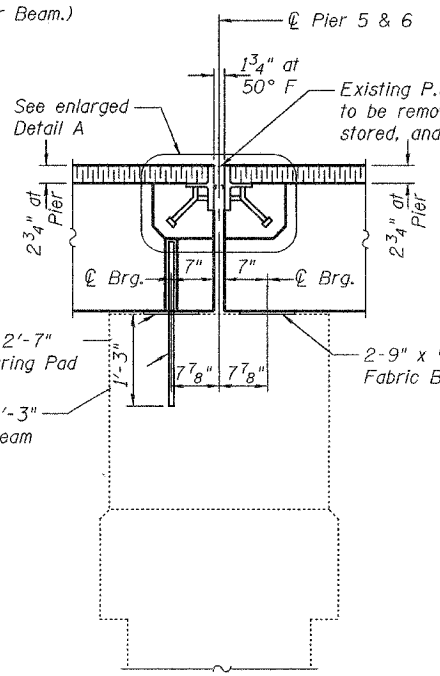
Existing 2 1/2" P.J.S. to be removed, stored and re-installed.
** Seal space between existing and new WT 4 x 33.5 with silicone sealant suitable for Structural Steel. Cost of silicone sealant is included with Furnishing and Erecting Structural Steel.

WT 4x33.5 Lengths

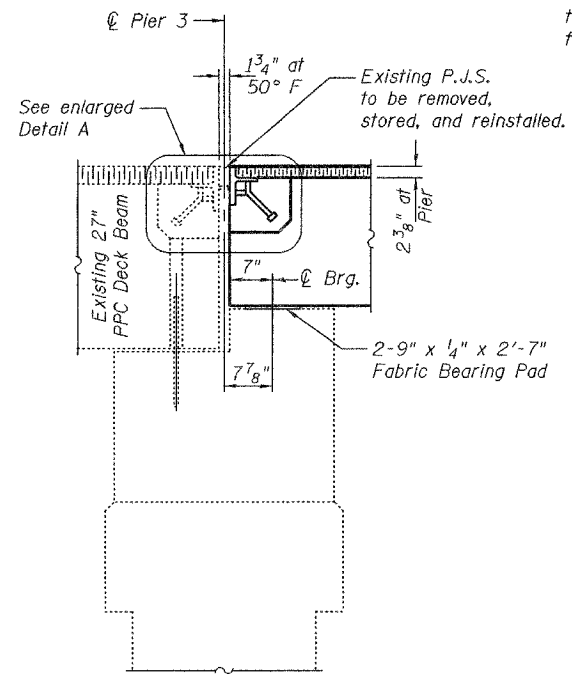
Span	Beam	"L" at End	
		South	North
4	1	1'-4 3/8"	1'-6 3/8"
	9	6'-3 1/2"	7'-0 1/2"
5	1	1'-6 3/8"	1'-6 3/8"
	2	5'-2 3/8"	5'-2 3/8"
7	1	1'-6 3/8"	

***2 - 1" φ x 2'-3" dowel rods per beam in 1 1/2" φ drilled holes (Typ.)

1/4" x 3/4" Sawed joint with elastic joint sealer. Cost included with Bituminous Concrete Surface Course.

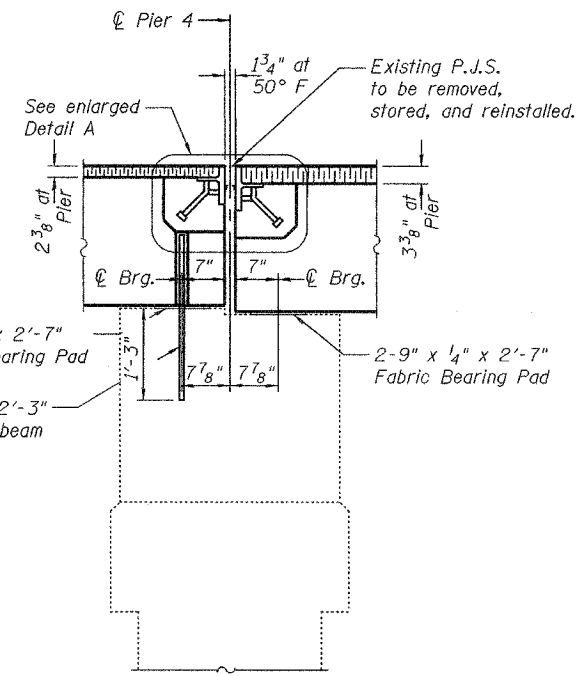


TYPICAL SECTION PIERS 5 AND 6

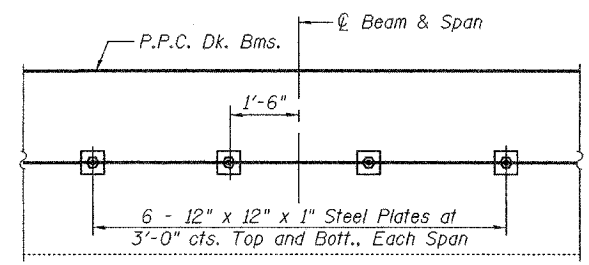


TYPICAL SECTION PIER 3

***Existing dowel rods are to be cut off and ground flush with cap.

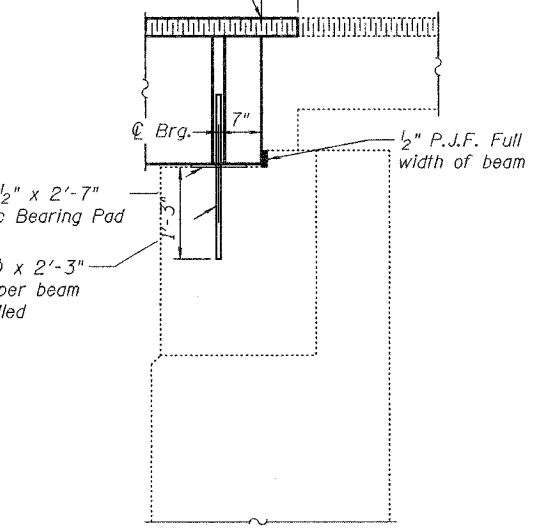


TYPICAL SECTION PIER 4

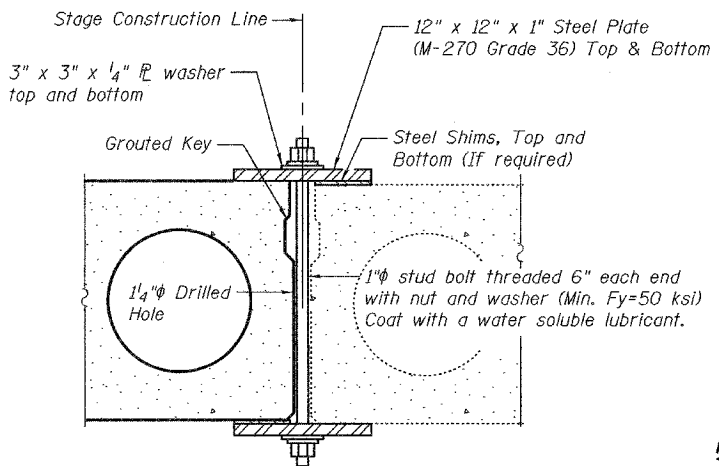


SHEAR KEY CLAMPING PLAN

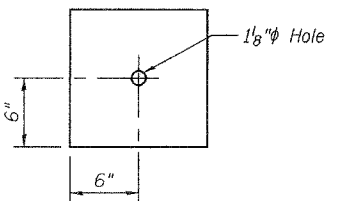
Notes:
See Special Provisions for Stage Construction Precast Prestressed Concrete Deck Beams.
See Stage Construction Detail for traffic lane.
Cost is included with Precast Prestressed Concrete Deck Beams.



TYPICAL SECTION NORTH ABUTMENT



SHEAR KEY CLAMPING SECTION



CLAMPING PLATE

**JOINT DETAILS
NORTH BOUND LANES
PULASKI ROAD / BRC R.R.
COOK COUNTY
SN 016-1020**

DESIGNED	V.H.V.	November 16, 2005
CHECKED	S.J.B.	EXAMINED <i>John A. Morris</i> ENGINEER OF STRUCTURAL SERVICES
DRAWN	Drew Christopher	PASSED <i>Ralph E. Anderson</i> ENGINEER OF BRIDGES AND STRUCTURES
CHECKED	V.H.V. S.J.B.	