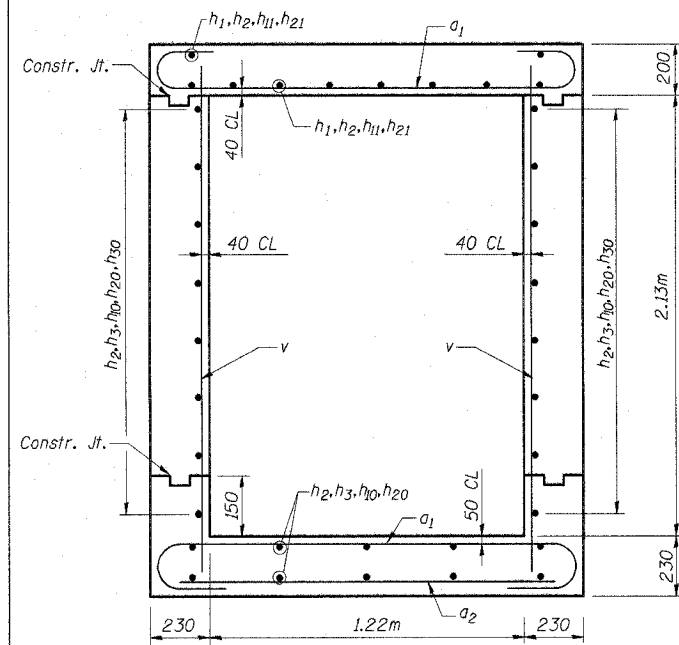
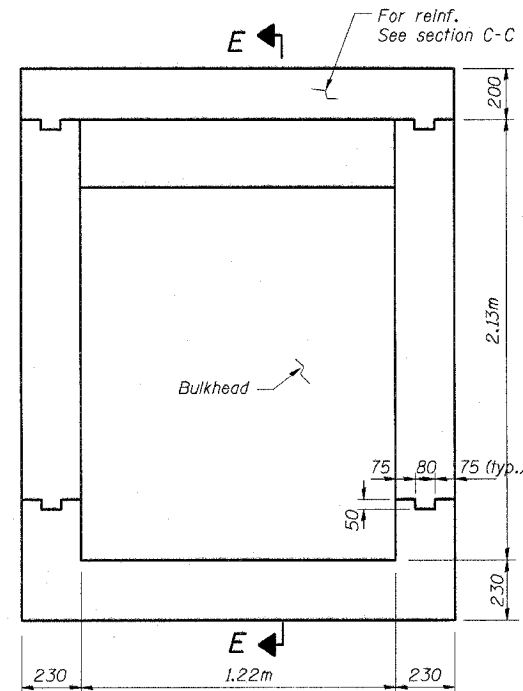


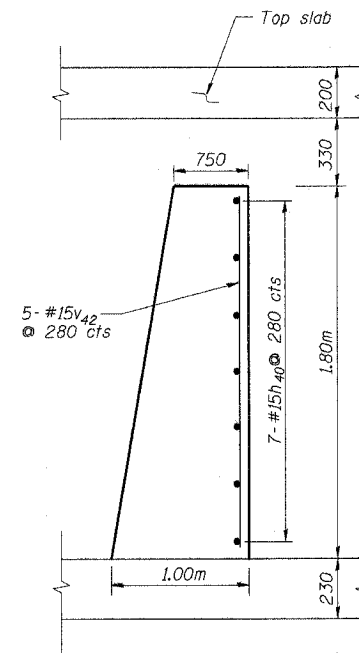
F.A.I. RTE.	SECTION	COUNTY	TOTAL SHEETS	SHEET NO.
80/94	02031 & 0304R-6	COOK	231	88D
STA.		TO STA.		
FED. ROAD DIST. NO. 1		ILLINOIS FED. AID PROJECT		
CONTRACT # 62105				



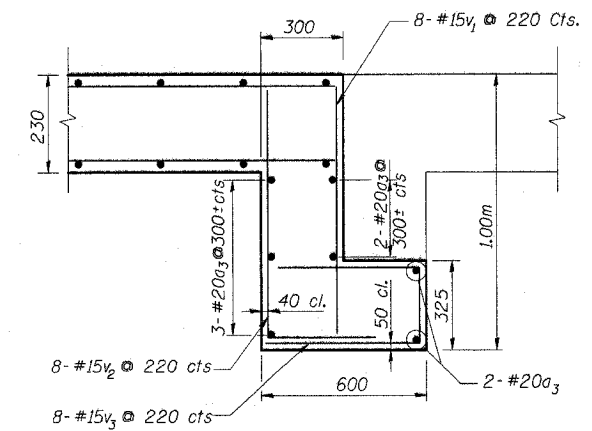
SECTION C-C
(TYPICAL SECTION THRU BARREL)



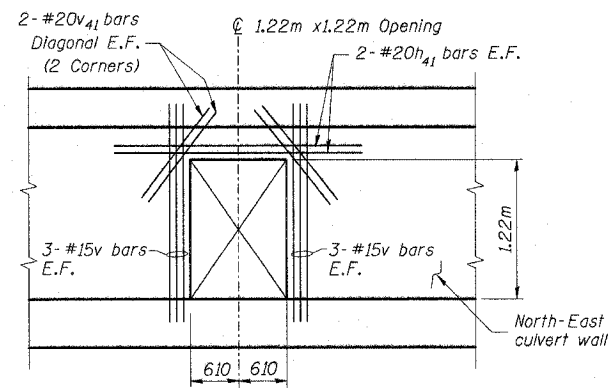
SECTION D-D



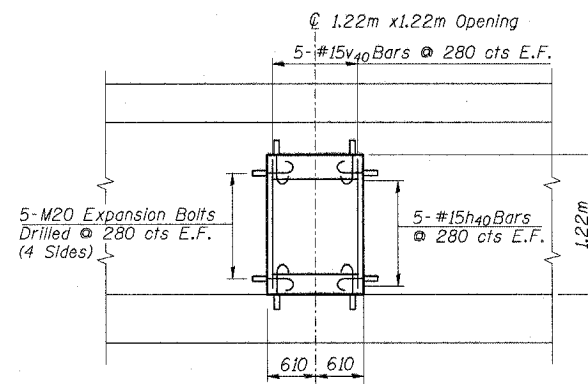
TEMPORARY BULKHEAD SECTION E-E
(4 Req'd)



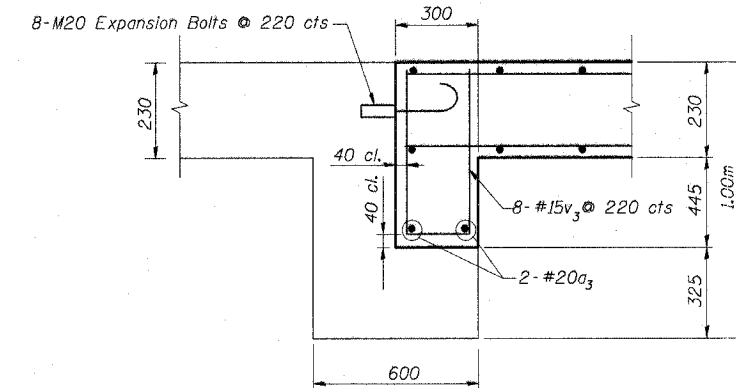
DETAIL A
(1 Req'd)



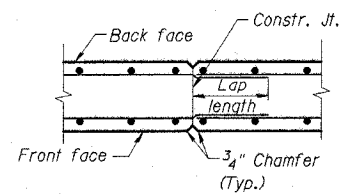
DETAIL SHOWING ADDITIONAL REINFORCEMENT IN WALL OPENING
(2 Req'd)



DETAIL SHOWING FILLING OF TEMPORARY DRAINAGE OPENINGS
(2 Req'd)



DETAIL B
(3 Req'd)



CONSTRUCTION JOINT DETAIL

REVISIONS		ILLINOIS DEPARTMENT OF TRANSPORTATION F.A.I. ROUTE 80/94 (INTERSTATE 80/294) BOX CULVERT SECTIONS AND DETAILS STA. 31+327.73 (194 WB) TO STA. 218+879.08 (RAMP V) STRUCTURE NO. 016-C009 DESIGNED BY JCE DRAWN BY JCE DATE: July 8, 2004 CHECKED BY JCA CHECKED BY JCA
NAME	DATE	
ADDENDUM #1	12/29/05	

BC - 4

McDonough Associates Inc.
Engineers / Architects