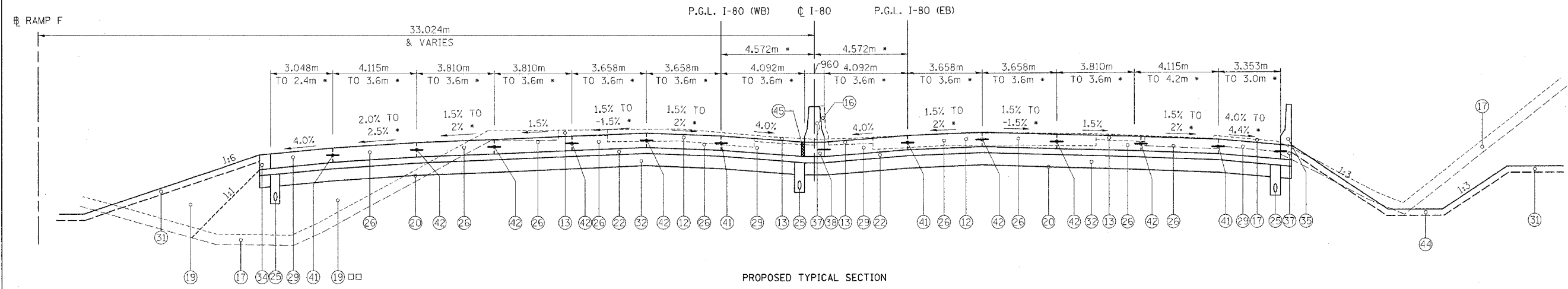
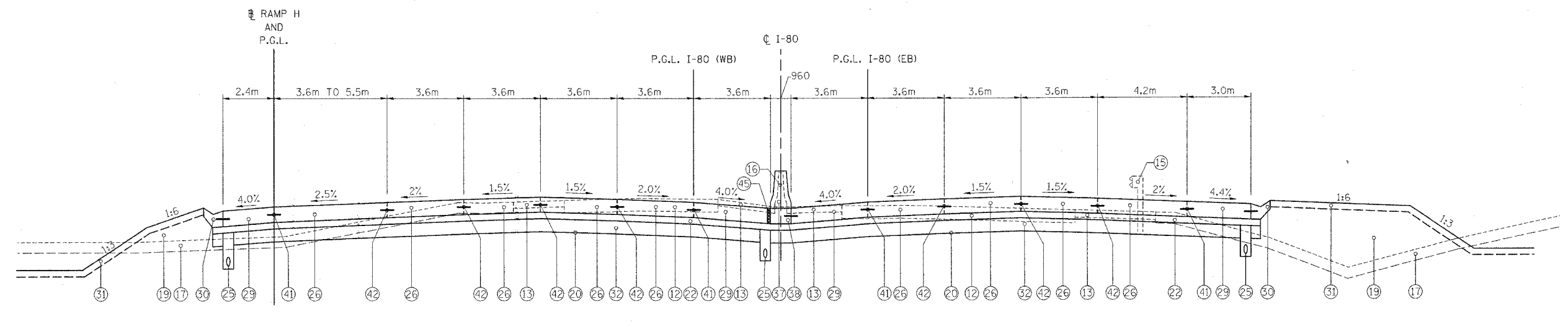


F.A.I. RTE. 80/94	SECTION *	COUNTY COOK	TOTAL SHEETS 231	SHEET NO. 16
STA.		TO STA.		
FED. ROAD DIST. NO. 1		ILLINOIS FED. AID PROJECT		
*(0203.1 & 0304) R-6		CONTRACT # 62105		



*PAVEMENT, SHOULDERS AND CROWN TRANSITIONS FROM STA. 3+040.805 TO STA. 3+116.526. FOR DETAILS SEE SHEETS PD-1 AND PD-2



NOTES:
 ITEM TO BE CONSTRUCTED TO EXTENDED LIFE CONCRETE PAVEMENT (30 YEAR) SPECIFICATIONS
 FOR LEGEND AND NOTES SEE TS-4

TS-1

REVISIONS		ILLINOIS DEPARTMENT OF TRANSPORTATION F.A.I. ROUTE 80/94 (INTERSTATE 80/294)
NAME	DATE	
		TYPICAL SECTIONS

DATE: JULY 18, 2005
 DRAWN BY: CTT
 CHECKED BY: RCH

McDonough Associates Inc.
 Engineers / Architects