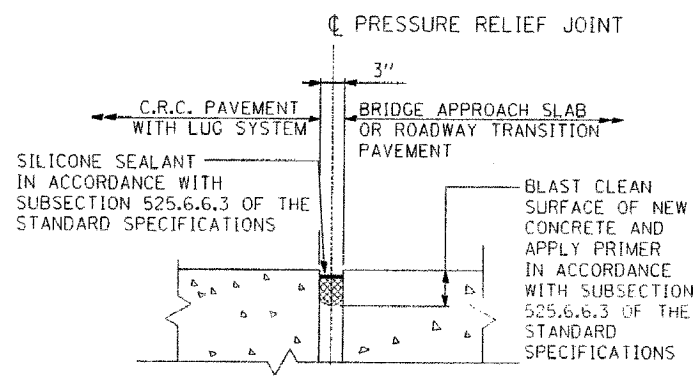


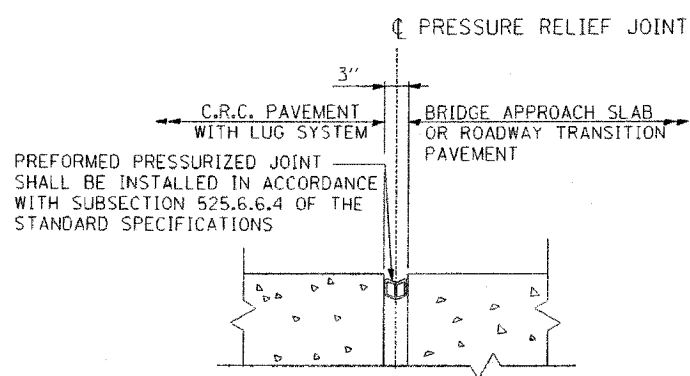
SECTION AT LUG W

SECTION AT LUG X

SECTION AT LUG Y



SEALING DETAIL ALTERNATE "A"  
 (SECTION 436 AND 525.6.6 OF STD. SPECS.)



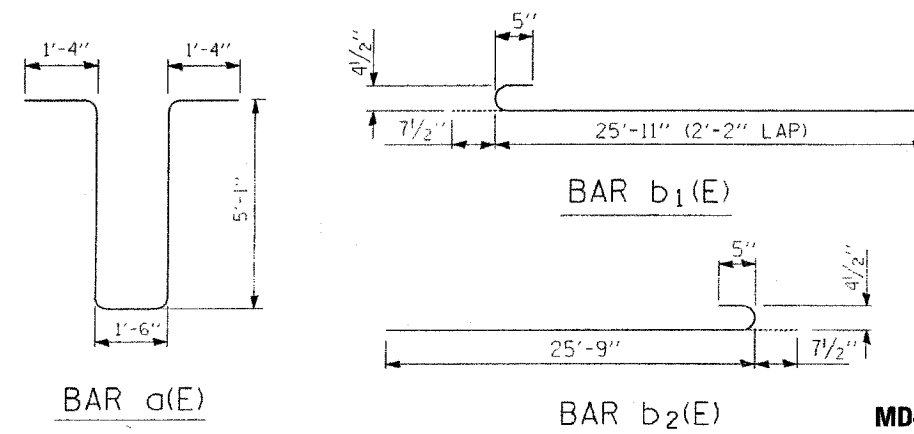
SEALING DETAIL ALTERNATE "B"  
 (SECTION 436 AND 525.6.6 OF STD. SPECS.)

MATERIALS REQUIRED FOR ONE LUG SYSTEM (EXCLUDING PAVEMENT CONCRETE AND PAVEMENT REINFORCEMENT)					
BAR	QTY.	SIZE	LENGTH	SHAPE	LANE WIDTH
a(E)	276	No. 8	14'-4"		ALL
b1(E)	18	No. 5	26'-6 1/2"		1.2
b2(E)	18	No. 5	26'-4 1/2"		3.4
c1(E)	184	No. 5	21'-0"		ALL
c2(E)	92	No. 5	18'-10"		ALL
d1(E)	23	No. 4	25'-5"		1.2
d2(E)	23	No. 4	25'-9"		3.4
CONCRETE, CU. YDS.			83		
REINFORCING BARS EPOXY COATED, LBS.			18,180		
AGGREGATE BASE COURSE SPECIAL, SQ. YDS.			283		
DOWEL BARS, EACH			51		
PRESSURE RELIEF JOINT, LF			50		

NOTES

- SEE STANDARD DRAWING SD XX-43 FOR DETAILS OF PAVEMENT REINFORCEMENT.
- SEE STANDARD DRAWING SD XX-46 FOR DETAILS OF JOINTS AND TIE BARS NOT SHOWN.
- SEE STANDARD DRAWING SD XX-9 AND SD XX-11 FOR DETAILS OF BRIDGE APPROACH SLAB OR SD XX-47 FOR DETAILS OF ROADWAY TRANSITION PAVEMENT.
- REINFORCEMENT BARS, INCLUDING EPOXY-COATED REINFORCEMENT BARS, SHALL CONFORM TO THE REQUIREMENTS OF AASHTO M-31 (ASTM A615), GRADE 60, DEFORMED BARS.
- REINFORCEMENT BARS DESIGNATED "(E)" SHALL BE EPOXY COATED.
- REINFORCEMENT BENDING DETAILS SHALL BE IN ACCORDANCE WITH THE "MANUAL OF STANDARD PRACTICE FOR DETAILING REINFORCED CONCRETE STRUCTURE", ACI 315, LATEST EDITION.
- REINFORCEMENT BAR BENDING DIMENSIONS ARE OUT TO OUT.
- PRESSURE RELIEF JOINT AND DOWEL BARS INCLUDED IN THE COST THE OF LUG SYSTEM.

- COVER FROM THE FACE OF CONCRETE TO FACE OF REINFORCEMENT BARS SHALL BE 3" FOR SURFACES POURED AGAINST EARTH AND 2" FOR ALL OTHER SURFACES UNLESS OTHERWISE SHOWN.
- MINIMUM LAP LENGTHS \*5 BARS: 2'-2". \*4 BARS: 1'-8".
- REFER TO CONTRACT DOCUMENTS FOR THE CLASS OF CONCRETE TO BE USED.
- SAWED AND CONSTRUCTION JOINTS MAY BE INTERCHANGED TO MATCH MAINTENANCE OF TRAFFIC. JOINTS SHOWN ARE FOR NEW CONSTRUCTION.
- THICKNESS OF MATERIALS IS PROJECT SPECIFIC. REFER TO PROJECT PLANS FOR DETAILS.
- QUANTITIES LISTED IN TABLE HAVE BEEN ROUNDED AS FOLLOWS:
  - CONCRETE TO NEAREST CU YD
  - REINFORCING BARS TO NEAREST 10 LBS
  - AGGREGATE BASE COURSE, SPECIAL TO NEAREST SQ YD



APPROVED: *Jeff Wiley*  
 CHIEF ENGINEER DATE 2-25-2004

**CTE ENGINEERS**  
 CONSOER TOWNSEND ENVIRODYNE ENGINEERS, INC.

**THE ILLINOIS STATE TOLL HIGHWAY AUTHORITY**  
 2700 OGDEN AVENUE  
 DOWNERS GROVE, ILLINOIS 60515

REVISIONS	
NO.	DATE DESCRIPTION
1	6-22-04 REVERSED SEALING DETAIL /MISC.

STANDARD SD 04-41  
 4 - LANE  
 CRC PAVEMENT  
 (WITH LUG SYSTEM)