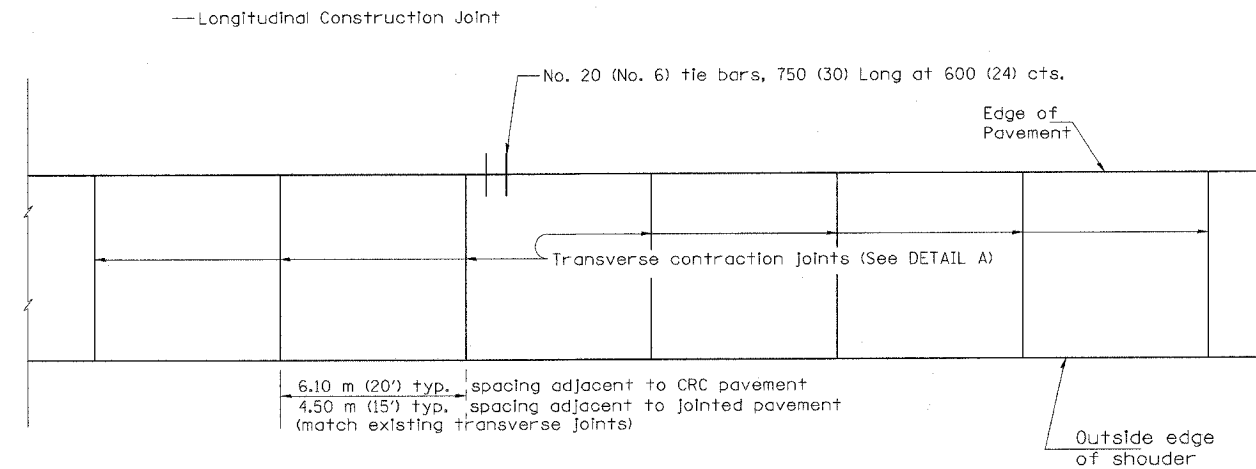
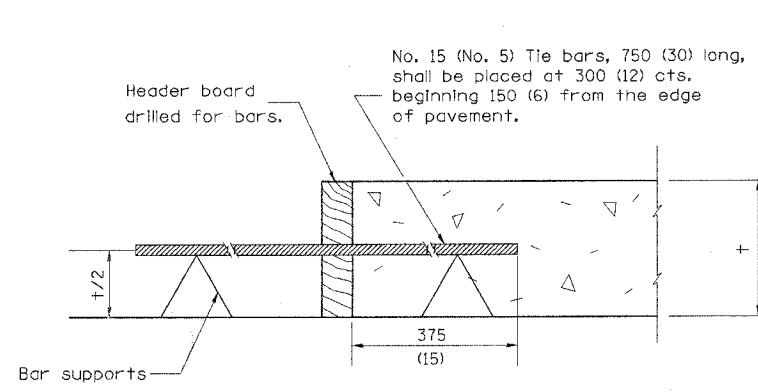


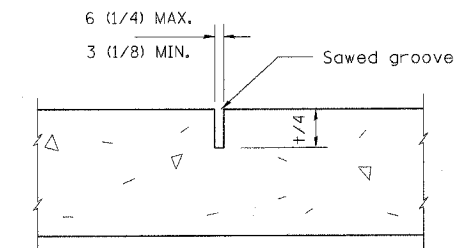
F.A.I. RTE.	SECTION	COUNTY	TOTAL SHEETS	SHEET NO.
80/94	*	COOK	231	174A
STA.		TO STA.		
FED. ROAD DIST. NO. 1		ILLINOIS	FED. AID PROJECT	
*(0203.1 & 0304) R-6		CONTRACT # 62105		



PLAN



TRANSVERSE CONSTRUCTION JOINT



DETAIL A

TRANSVERSE CONTRACTION JOINT

NOTES

1. Transverse expansion joints shall be as detailed on Standard 420001 except that dowel bars will not be required.
2. See Standard 420001 for details not shown.

All dimensions are in millimeters (inches) unless otherwise shown.

MD-16

REVISIONS		ILLINOIS DEPARTMENT OF TRANSPORTATION F.A.I. ROUTE 80/94 (KINGERY EXPRESSWAY)
NAME	DATE	
Added bar supports.	4/05	PCC SHOULDER DETAILS
		SCALE
		DATE 07/04
		DRAWN BY ACE/CAD
		CHECKED BY
		AMERICAN CONSULTING ENGINEERS