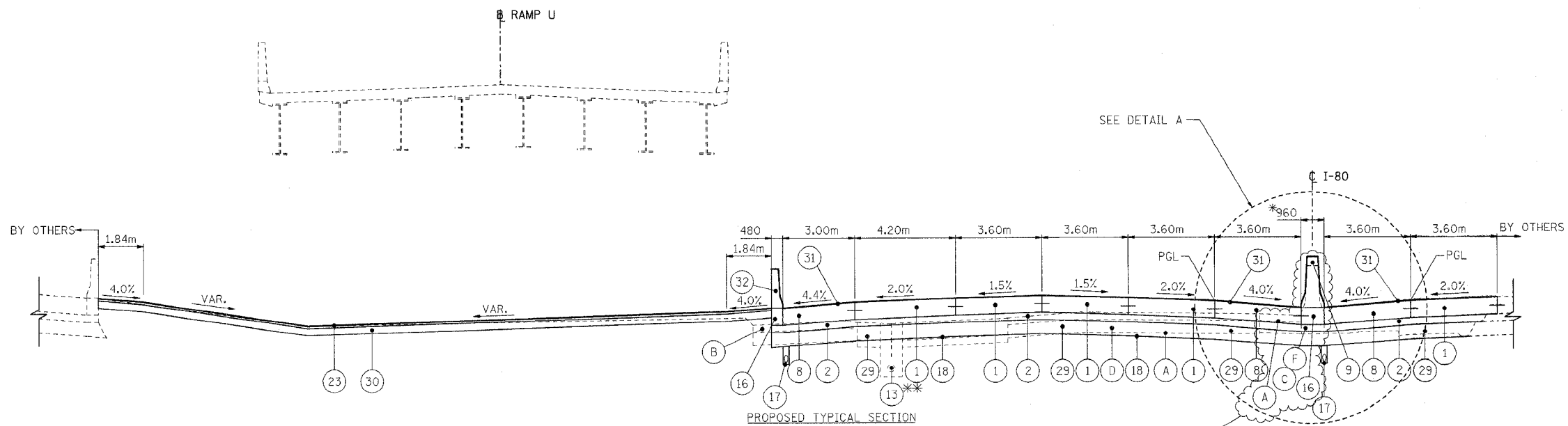
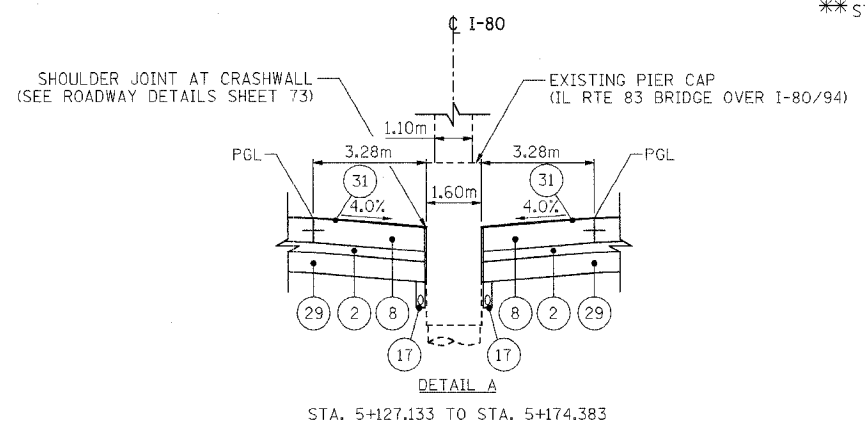


F.A.I. RTE.	SECTION	COUNTY	TOTAL SHEETS	SHEET NO.
80/94		COOK	631	14
STA.	TO STA.			
FED. ROAD DIST. NO.	ILLINOIS	FED. AID PROJECT		
* (2425 & 2626) R-2		CONTRACT NO. 62111		



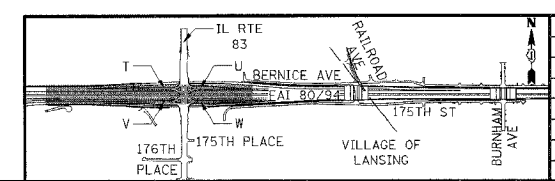
I-80 WB/EB STA. 5+001.808 TO STA. 5+299.708
 ** STA. 4+970.062 TO STA. 5+137.875 & STA. 5+166.329 TO STA. 5+369.953



* WIDTH VARIES 960mm TO 1.60 m
 STA. 5+111.330 TO STA. 5+127.133
 WIDTH VARIES 1.60m TO 960mm
 STA. 5+174.383 TO STA. 5+180.783
 SEE SHEETS 41 AND 42 FOR DETAILS

- NOTES
- ALL UNITS ARE IN MILLIMETERS UNLESS OTHERWISE NOTED.
 - SUB-BASE GRANULAR MATERIAL, TYPE B, 300mm SHALL CONSIST OF 225mm OF GRANULAR SUB-BASE WITH A 75mm GRANULAR SUB-BASE CAP.
 - CRC REINFORCEMENT CHART ON STANDARD 421001 SHALL BE MODIFIED AS FOLLOWS:
- | PAVEMENT WIDTH | A | B | C | D |
|----------------|------------------------------|------|------|-------|
| 3.6M | 26 SPACES (27 BARS) AT 132mm | 90mm | 75mm | 660mm |
| 4.2M | 31 SPACES (32 BARS) AT 130mm | 90mm | 75mm | 660mm |
| 4.9M | 35 SPACES (36 BARS) AT 135mm | 95mm | 85mm | 660mm |
- THE REINFORCEMENT SHALL BE 115mm FROM THE TOP OF PAVEMENT
- TIE BARS IN PAVEMENT OR BETWEEN PAVEMENT AND OTHER NEW/OR EXISTING PCC APPURTENANCES WILL NOT BE PAID FOR IN ACCORDANCE WITH ARTICLE 508.07 OF THE STANDARD SPECIFICATIONS.
 - FOR LONGITUDINAL JOINT DETAILS SEE PAVEMENT ELEVATION AND JOINTING PLANS AND CONCRETE BARRIER DETAILS SHEET.
 - EARTHWORK CALCULATED USING EXISTING I-80/94 PAVEMENT SECTION OF 150mm BITUMINOUS OVERLAY AND 275mm PCC BASE COURSE

EXISTING LEGEND		PROPOSED LEGEND	
(A) PAVEMENT REMOVAL/BREAKING	(C) CONCRETE BARRIER REMOVAL	STRUCTURAL	ITEM TO BE CONSTRUCTED TO EXTENDED LIFE CONCRETE PAVEMENT SPECIFICATIONS
(B) PAVED SHOULDER REMOVAL	(D) EXISTING PAVEMENT (SEE NOTES FOR THICKNESS)	(1) CONTINUOUSLY REINFORCED PORTLAND CEMENT CONCRETE PAVEMENT 360mm	(11) CONCRETE BARRIER, DOUBLE FACE 815mm HEIGHT
(E) EXISTING SHOULDER	(F) EXISTING CONCRETE BARRIER	(2) STABILIZED SUB-BASE 150mm	(12) PCC SIDEWALK, 125mm
(G) EXISTING GUARD RAIL	(I) EXISTING SIDEWALK	(3) TOPSOIL FURNISH AND PLACE, 150mm	(13) SLOTTED DRAIN REMOVAL
(H) CURB AND GUTTER REMOVAL	(J) SIDEWALK REMOVAL	(4) SEEDING, CLASS 2A	(14) COMB CC&G TB 15.60
(K) REM AND DISP UNS MATL 300	(L) EXISTING SHOULDER	(5) CONCRETE MEDIAN SURFACE, 150mm (SPECIAL)	(15) COMB CC&G TB 15.30
		(6) SAND BACKFILL	(16) CONCRETE BARRIER BASE
		(7) EMBANKMENT	(17) PIPE UNDERDRAINS 150mm
		(8) PCC SHOULDERS, 360mm	(18) GEOTECHNICAL FABRIC FOR GROUND STABILIZATION
		(9) CONCRETE BARRIER, DOUBLE FACE, 1065mm HEIGHT	(19) TEMPORARY SHEET PILING REMOVAL
		(10) CONCRETE BARRIER, SINGLE FACE, 815mm HEIGHT	(20) PCC PVT 250 JOINTED
			(21) BIT C PVT FD SUP 230
			(22) BIT C PVT FD SUP 300
			(23) BC SC SUPER "C" N50 50
			(24) AGGREGATE SUBGRADE 300mm
			(25) SODDING, SALT TOLERANT
			(26) TOPSOIL FURNISH AND PLACE, 300mm
			(27) COMPOST FURNISH AND PLACE, 100mm
			(28) EROSION CONTROL BLANKET
			(29) SUB-BASE GRANULAR MATERIAL, TYPE B, 300mm
			(30) AGGREGATE BASE COURSE, TYPE B, 150mm
			(31) SHOULDER RUMBLE STRIP
			(32) CONCRETE BARRIER SINGLE FACE 815 MM HEIGHT, REINFORCED
			(33) SUB GRAN MAT B 100
			(34) BIT SHLD SUPER 150



REVISIONS	
NAME	DATE
RJS	01/04/06

ILLINOIS DEPARTMENT OF TRANSPORTATION
 F.A.I. ROUTE 80/94 (KINGERY EXPRESSWAY)
 EB & WB INSIDE LANES (MAINLINE) CONSTRUCTION
 COOK COUNTY

**TYPICAL SECTIONS
 FAI 80/94
 STA. 5+002 TO STA. 5+300**

SCALE: NONE
 DATE: 1/4/06

DRAWN BY: RJS
 CHECKED BY: DH

TENG
 TENG & ASSOCIATES, INC.
 ENGINEERS/ARCHITECTS/PLANNERS
 CHICAGO, ILLINOIS

\ABS9002ADON...P999002ADON...TSIR0102ADON...TSIR0202ADON...TSIR0302ADON...TSIR0402ADON...TSIR0502ADON...TSIR0602ADON...TSIR0702ADON...TSIR0802ADON...TSIR0902ADON...TSIR1002ADON...TSIR1102ADON...TSIR1202ADON...TSIR1302ADON...TSIR1402ADON...TSIR1502ADON...TSIR1602ADON...TSIR1702ADON...TSIR1802ADON...TSIR1902ADON...TSIR2002ADON...TSIR2102ADON...TSIR2202ADON...TSIR2302ADON...TSIR2402ADON...TSIR2502ADON...TSIR2602ADON...TSIR2702ADON...TSIR2802ADON...TSIR2902ADON...TSIR3002ADON...TSIR3102ADON...TSIR3202ADON...TSIR3302ADON...TSIR3402ADON...TSIR3502ADON...TSIR3602ADON...TSIR3702ADON...TSIR3802ADON...TSIR3902ADON...TSIR4002ADON...TSIR4102ADON...TSIR4202ADON...TSIR4302ADON...TSIR4402ADON...TSIR4502ADON...TSIR4602ADON...TSIR4702ADON...TSIR4802ADON...TSIR4902ADON...TSIR5002ADON...TSIR5102ADON...TSIR5202ADON...TSIR5302ADON...TSIR5402ADON...TSIR5502ADON...TSIR5602ADON...TSIR5702ADON...TSIR5802ADON...TSIR5902ADON...TSIR6002ADON...TSIR6102ADON...TSIR6202ADON...TSIR6302ADON...TSIR6402ADON...TSIR6502ADON...TSIR6602ADON...TSIR6702ADON...TSIR6802ADON...TSIR6902ADON...TSIR7002ADON...TSIR7102ADON...TSIR7202ADON...TSIR7302ADON...TSIR7402ADON...TSIR7502ADON...TSIR7602ADON...TSIR7702ADON...TSIR7802ADON...TSIR7902ADON...TSIR8002ADON...TSIR8102ADON...TSIR8202ADON...TSIR8302ADON...TSIR8402ADON...TSIR8502ADON...TSIR8602ADON...TSIR8702ADON...TSIR8802ADON...TSIR8902ADON...TSIR9002ADON...TSIR9102ADON...TSIR9202ADON...TSIR9302ADON...TSIR9402ADON...TSIR9502ADON...TSIR9602ADON...TSIR9702ADON...TSIR9802ADON...TSIR9902ADON...