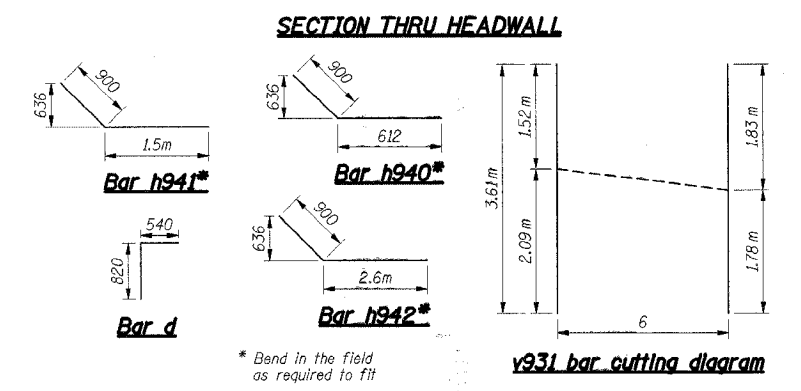
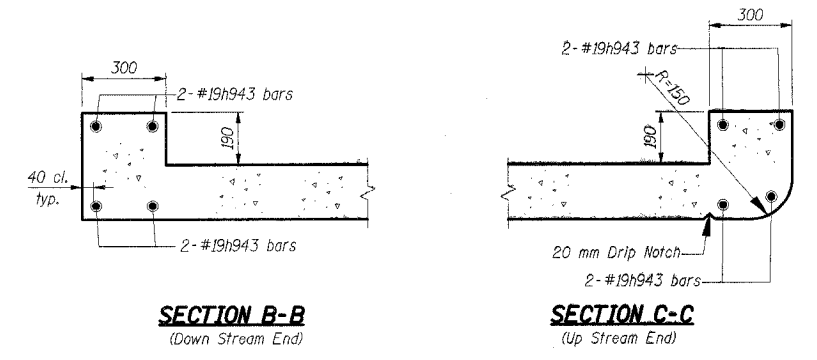
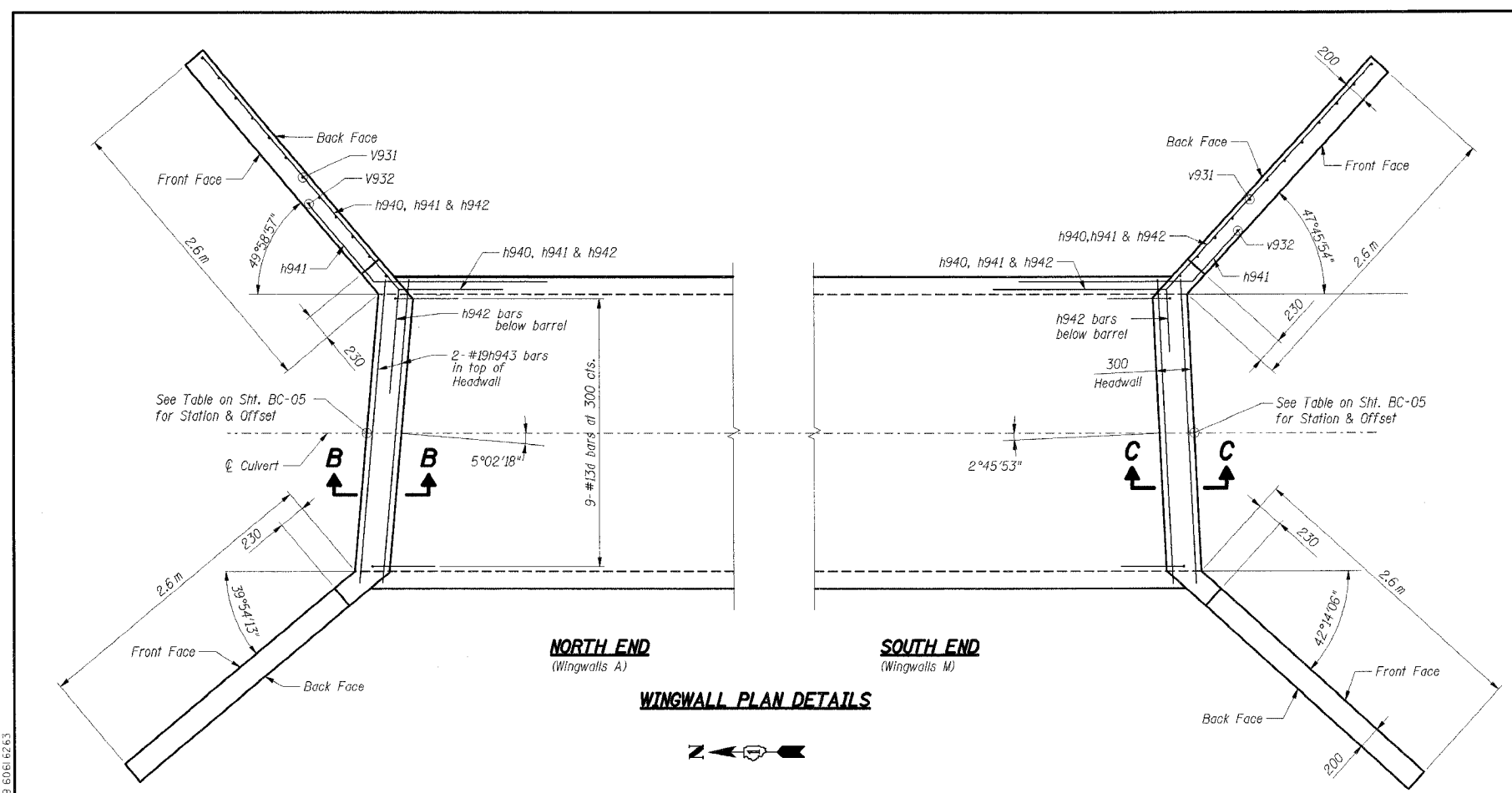


F.A.I. RTE.	SECTION	COUNTY	TOTAL SHEETS	SHEET NO.
*		COOK	631	339J
STA.	TO STA.			
FED. ROAD DIST. NO.	ILLINOIS	FED. AID PROJECT		
* (2425 & 2626) R-2			CONTRACT NO. 62111	

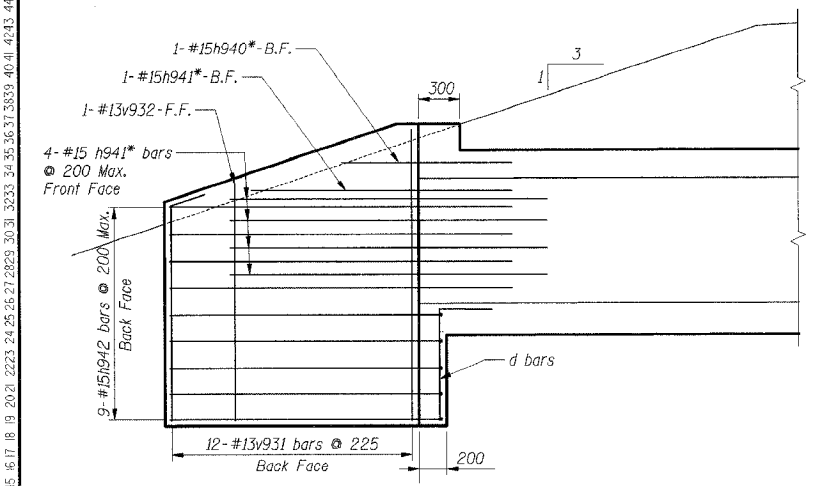


* Bend in the field as required to fit

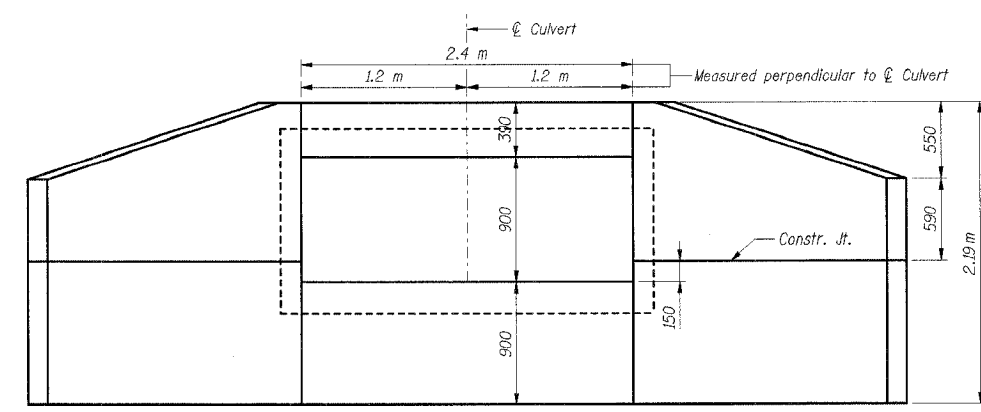
BAR LIST

Bar	No.	Size	Length (m)	Shape
d	18	#13	1.36	□
h940	4	#15	1.51	—
h941	26	#15	2.40	—
h942	36	#15	3.50	—
h943	8	#19	2.62	—
v931	24	#15	3.61	—
v932	4	#15	1.90	—
Item			Unit	Total
Reinforcement Bars			kg	488
Concrete Box Culverts			cu m	**

**Quantities for Concrete Box Culverts at wingwalls & headwalls on sheets BC-02 & BC-09



*Bend bars in Field as required to fit



THIS SHEET FOR INFORMATION ONLY

SHT. BC-10 OF 11

REVISIONS	
NAME	DATE

ILLINOIS DEPARTMENT OF TRANSPORTATION
 F.A.I. ROUTE 80/94 (KINGERY EXPRESSWAY)
 EB & WB INSIDE LANES (MAINLINE) CONSTRUCTION
 BOX CULVERT
 STRUCTURE NO. 016-C013 STA. 5+566.000
 SECTIONS 2001-167R AND (2425 & 2626) R-1
 COOK COUNTY

HEADWALL DETAILS

DATE: 1/4/06 DRAWN BY: OD
 CHECKED BY: MJK

TENG TENG & ASSOCIATES, INC.
 ENGINEERS/ARCHITECTS/PLANNERS
 CHICAGO, ILLINOIS

Notes:
 All dimensions are in millimeters (mm) except as noted.

VARSIMKZ
 12-30-2005, 04:04:20
 T:\DOCUMENT\93170KAS\STRUCT\CON\BQT0252ADON
 1-2-3-4-5-6-7-8-9-10-11-12-13-14-15-16-17-18-19-20-21-22-23-24-25-26-27-28-29-30-31-32-33-34-35-36-37-38-39-40-41-42-43-44-45-46-47-48-49-50-51-52-53-54-55-56-57-58-59-60-61-62-63