

F.A.I. RTE.	SECTION	COUNTY	TOTAL SHEETS	SHEET NO.
80/94	*	COOK	631	99
STA.		TO STA.		

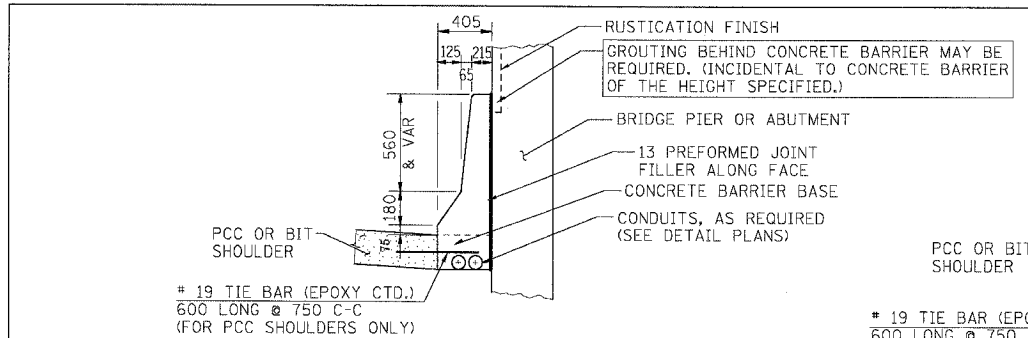
FED. ROAD DIST. NO. ILLINOIS FED. AID PROJECT
 (2425 & 2626) R-2 CONTRACT NO. 62111

• THE BAR SPLICER SHALL BE CAPABLE OF DEVELOPING A MINIMUM OF 125% OF THE YIELD STRENGTH OF A #19 BAR

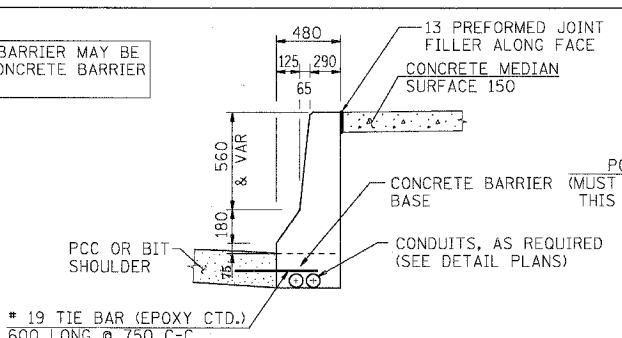
CUT SECTION

REINFORCING BARS 6.1 m SECTION			
BAR NO.	SIZE	LENGTH	SHAPE
BE)	#19	6.00 m	---
TE)	#19	6.00 m	---
REINFORCING BARS (EPOXY COATED)		Kg	121
BAR SPLICER		EACH	21

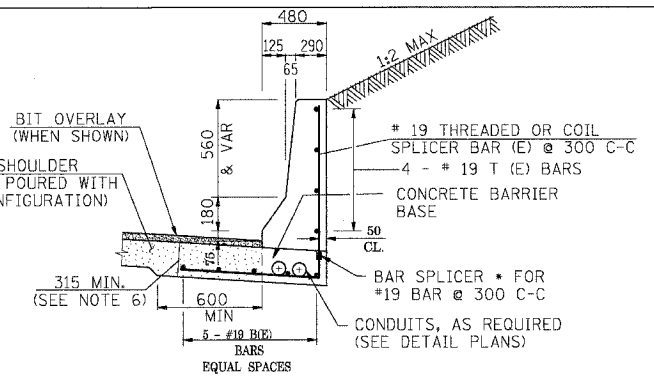
•• LONGITUDINAL BARS SHOULD NOT EXTEND THROUGH JOINTS.



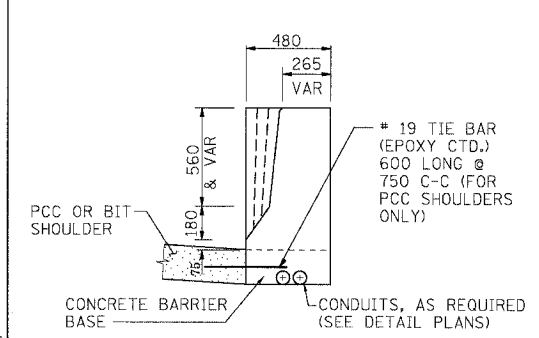
SECTION O
 CONC BAR 1F 815 HT
 CONCRETE BARRIER, SINGLE FACE,
 845 HEIGHT



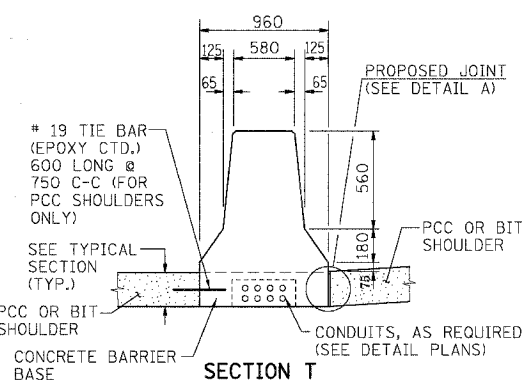
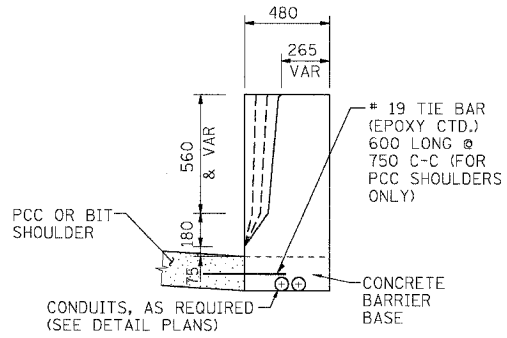
SECTION P
 CONC BAR 1F 815 HT
 CONCRETE BARRIER, SINGLE FACE,
 815 HEIGHT



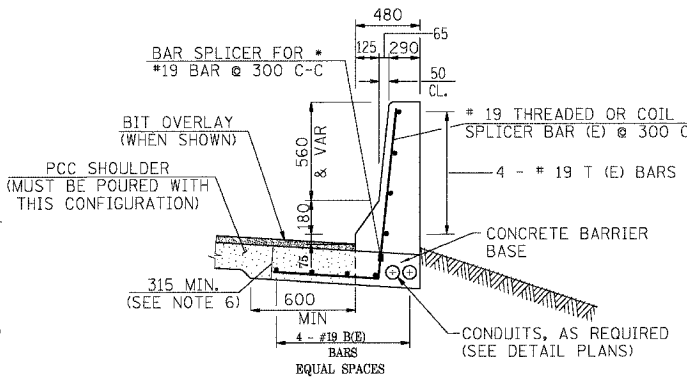
SECTION R
 CONC BAR 1F 815 HT REINF
 CONCRETE BARRIER, SINGLE FACE,
 815 HEIGHT, REINFORCED
 CUT SECTION



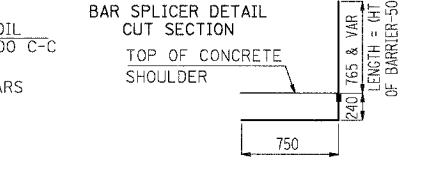
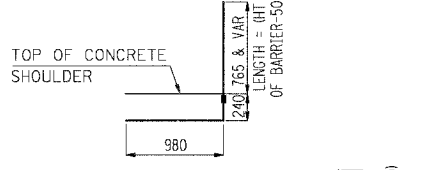
SECTION S
 CONC BAR 1F 815 HT
 CONCRETE BARRIER, SINGLE FACE,
 815 HEIGHT



SECTION T
 CONC BAR 2F 815 HT
 CONCRETE BARRIER, DOUBLE FACE,
 815 HEIGHT



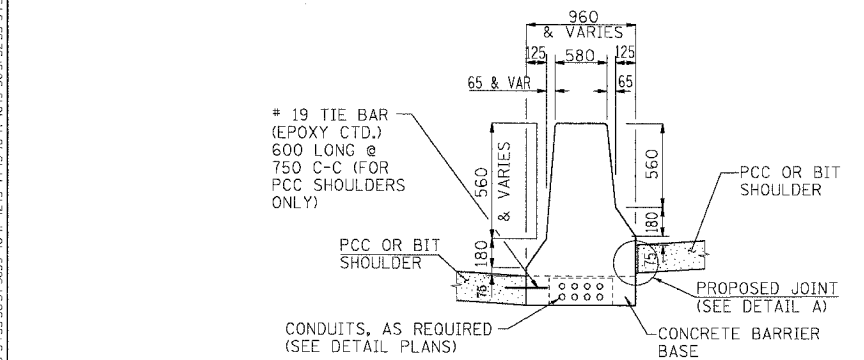
SECTION U
 CONC BAR 1F 815 HT REINF
 CONCRETE BARRIER, SINGLE FACE,
 815 HEIGHT, REINFORCED
 FILL SECTION



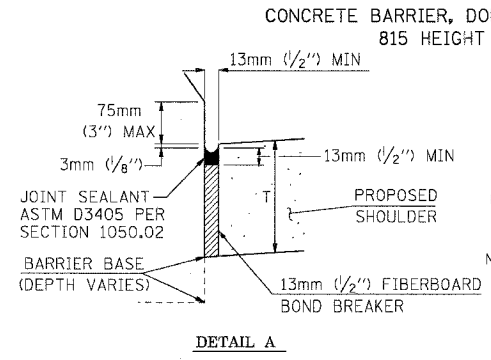
FILL SECTION

REINFORCING BARS 6.1 m SECTION			
BAR NO.	SIZE	LENGTH	SHAPE
BE)	#19	6.00 m	---
TE)	#19	6.00 m	---
REINFORCING BARS (EPOXY COATED)		Kg	108
BAR SPLICER		EACH	21

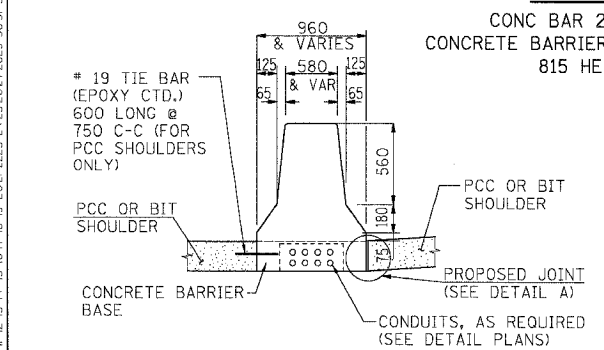
•• LONGITUDINAL BARS SHOULD NOT EXTEND THROUGH JOINTS.



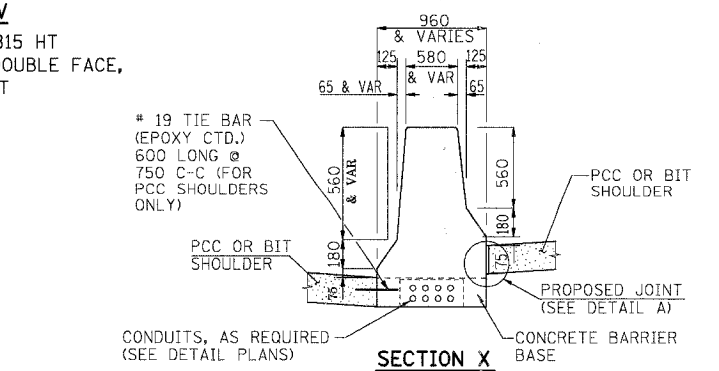
SECTION V
 CONC BAR 2F 815 HT
 CONCRETE BARRIER, DOUBLE FACE,
 815 HEIGHT



DETAIL A



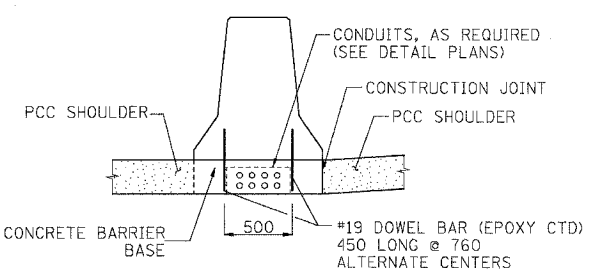
SECTION W
 CONC BAR 2F 815 HT
 CONCRETE BARRIER, DOUBLE FACE,
 815 HEIGHT



SECTION X
 CONC BAR 2F 815 HT
 CONCRETE BARRIER, DOUBLE FACE,
 815 HEIGHT

LEGEND:
 PAY LIMITS OF BITUMINOUS OR PCC SHOULDERS.

- NOTES:
- FOR ADDITIONAL CONCRETE BARRIER DETAILS SEE STANDARDS 637001 & 637006.
 - FOR ADDITIONAL SHOULDER DETAILS SEE TYPICAL SECTIONS, PIPE UNDERDRAIN & SUBGRADE DETAILS FOR OPEN AND CLOSED DRAINAGE SYSTEMS, P.C.C SHOULDER DETAILS AND/OR STANDARDS 601001, 482006, 483001 & 482001 AS APPLICABLE.
 - A 25 RADIUS CAN BE SUBSTITUTED FOR THE 13 CHAMFER AT THE TOP OF THE BARRIER WALL.
 - FOR BITUMINOUS SHOULDERS -- DEPTH "T" EQUALS 450 MINIMUM.
 - FOR PCC SHOULDERS -- DEPTH "T" SHALL BE 255 MINIMUM OR THE SHOULDER DEPTH IF GREATER.
 - THE THICKENED PCC SHOULDER FOR THE REINFORCED CONCRETE BARRIER SECTION SHALL BE INCLUDED IN THE COST OF THE CONCRETE BARRIER OF THE TYPE INVOLVED.
 - ALL REINFORCING BARS, BAR SPLICERS, TIE BARS AND DOWEL BARS SHALL BE SEATED IN THE FINAL POSITION PRIOR TO THE CONCRETE OPERATIONS. BARS CANNOT BE MUCKED INTO PLACE.
 - THE FURNISHING AND PLACING OF TIE BARS AND DOWEL BARS SHALL BE INCLUDED IN THE COST OF PCC SHOULDER OF THE THICKNESS SPECIFIED.
 - THE FURNISHING AND PLACING OF BAR SPLICERS, TIE BARS AND DOWEL BARS SHALL BE INCLUDED IN THE COST OF THE PCC SHOULDER OF THE THICKNESS SPECIFIED.
 - THE CONDUIT LOCATIONS SHOWN ARE TYPICAL. ADDITIONAL CONDUITS MAY BE REQUIRED. FOR THE SIZE, LOCATION, AND DETAIL, SEE THE ELECTRICAL AND/OR SURVEILLANCE PLANS. THE FURNISHING AND PLACING OF CONDUITS OF THE SIZE SPECIFIED SHALL BE PAID FOR SEPARATELY.



OPTIONAL CONFIGURATION
 DOUBLE FACE BARRIER ON PCC SHOULDER

ALL DIMENSIONS IN MILLIMETERS UNLESS OTHERWISE SHOWN.

REVISIONS	
NAME	DATE
MDV	8/25/04
MRN	4/20/05
NLP	8/04/05

ILLINOIS DEPARTMENT OF TRANSPORTATION
 F.A.I. ROUTE 80/94 (KINGERY EXPRESSWAY)

**CONCRETE BARRIER DETAILS
 815 MM WALL**

SCALE NONE DRAWN BY ACE/CAD
 DATE 03/04 CHECKED BY



CONCRETE BARRIER WALL DETAIL
 8-18-2005 (R02) 11
 1-2-4-5-6-7-8-9-10-11-12-13-14-15-16-17-18-19-20-22-23-24-25-26-27-28-29-30-31-32-33-34-35-36-37-38-39-40-41-42-43-44-45-46-47-48-49-50-51-52-53-54-55-56-57-58-59-60-61-62-63
 T:\DOCUMENTS\BIB\50\CONCRETE BARRIER WALL DETAIL.DGN 3/23/05 10:50:51 62.63 44.45-46-47-48-49-50-51-52-53-54-55-56-57-58-59-60-61-62-63
 8472641