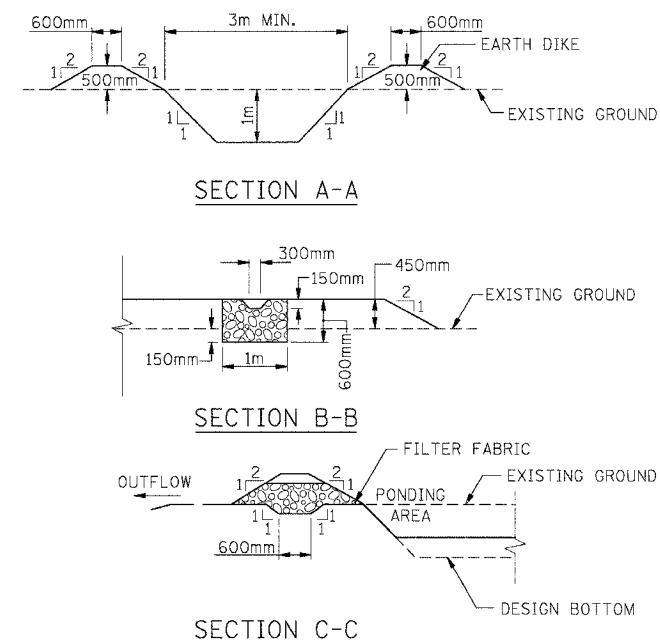
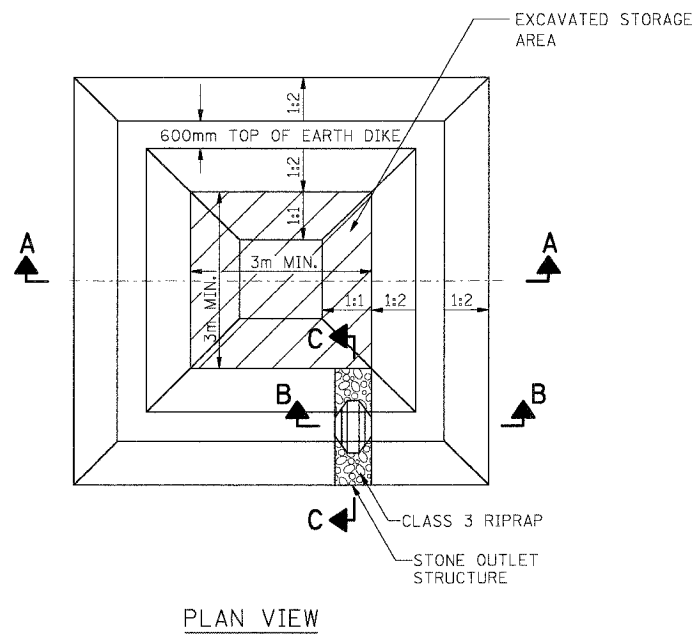
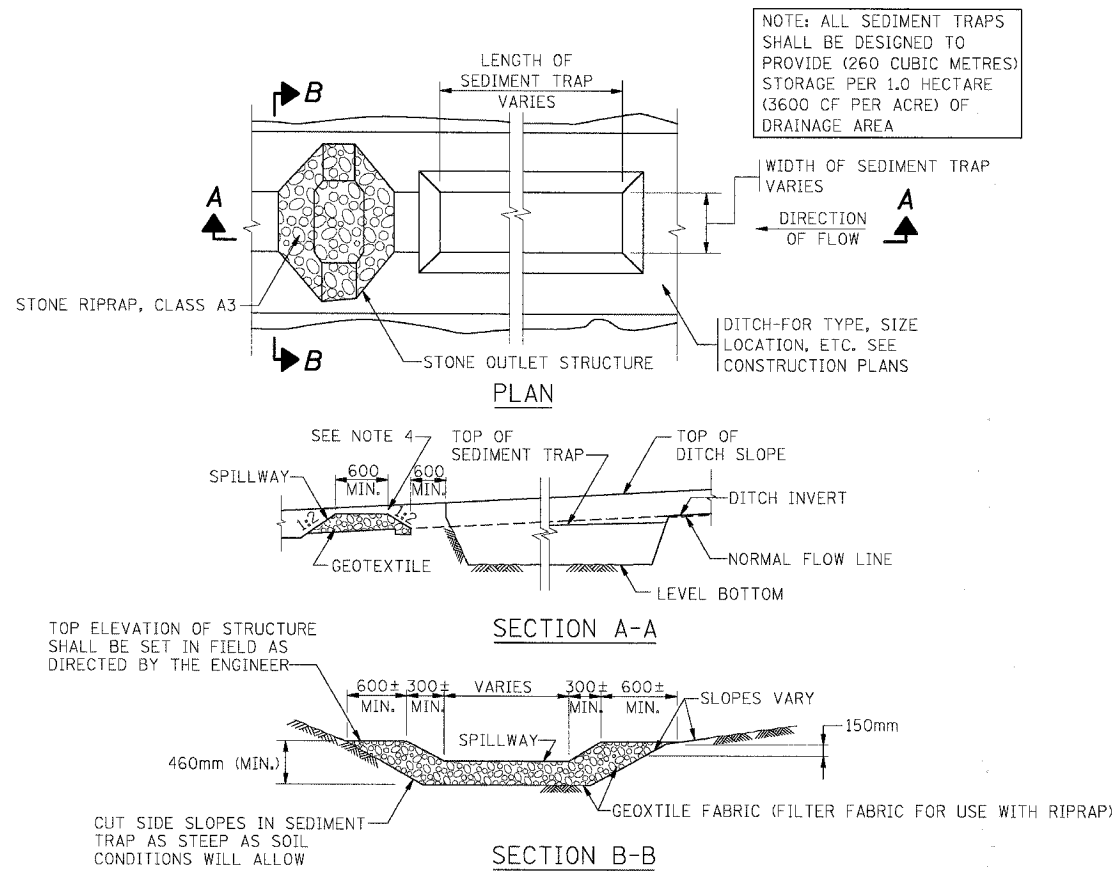


F.A.I. RTE.	SECTION	COUNTY	TOTAL SHEETS	SHEET NO.
80/94		COOK	631	198
STA.	TO STA.			
FED. ROAD DIST. NO.	ILLINOIS	FED. AID PROJECT		
(2425 & 2626) R-2		CONTRACT NO. 62111		

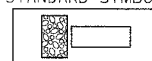


1. USE IN EXISTING, PROPOSED AND TEMPORARY DITCHES OF ALL TYPES AS SHOWN ON PLANS OR AS DIRECTED BY THE ENGINEER.
2. THE STONE OUTLET STRUCTURES SHALL BE REPLACED DUE TO WASHOUT, CONSTRUCTION TRAFFIC DAMAGE OR SILT ACCUMULATION. THE SILT SHALL BE CLEANED WHEN THE TRAP IS 50% FULL.
3. A 200mm LAYER OF RIPRAP WILL BE PLACED AGAINST THE UPSTREAM FACE OF THE TEMPORARY STONE OUTLET STRUCTURE.

- NOTES:
1. ANY DEWATERING OF THE CONSTRUCTION AREA SHALL BE FILTERED THROUGH A DEWATERING BASIN PRIOR TO ENTERING THE WATERWAY.
 2. PUMPING INTO THESE BASINS SHALL CEASE WHEN THE EFFLUENT FROM THE BASIN BECOMES SEDIMENT LADEN. THE BASIN MAY BE BYPASSED IF THE WATER BEING PUMPED IS NON SEDIMENT LADEN AND THERE IS A STABILIZED OUTFALL. SURFACE FLOWS SHALL BE DIVERTED AROUND THE DEVICE.
 3. THE DEWATERING BASIN SHALL BE EXCAVATED TO A MINIMUM DEPTH OF 1m WITH A FLAT BOTTOM.
 4. ONCE THE DEWATERING BASIN BECOMES FILLED TO 1/2 OF THE EXCAVATED DEPTH, ACCUMULATED SEDIMENT SHALL BE REMOVED.
 5. THE OUTFALL FROM THE BASIN(S) SHALL HAVE A STABILIZED CONVEYANCE TO RECEIVING WATERS.
 6. THE VOLUME OF THE CONSTRUCTION DEWATERING DISCHARGE BASIN (DEAD STORAGE) SHALL BE A MINIMUM OF THE DEWATERING PUMPS CAPACITY $0.12 \times (\text{PUMP RATE IN LITERS/MINUTE}) = \text{VOLUME (CU. M.)}$ $(16 \times (\text{PUMP RATE IN GAL/MINUTE}) = \text{VOLUME (C.F.)})$

STONE OUTLET STRUCTURE SEDIMENT TRAP

STANDARD SYMBOL



DRAINAGE AREA	L	W	CAPACITY CM
0.2ha	23m	3m	53
0.4ha	44m	3m	103
0.6ha	44m	4.6m	154
0.80ha	60m	4.6m	207

NOTE:
ALL DIMENSIONS ARE BASED UPON AN AVERAGE DEPTH OF 760mm AND PROVIDING, AS A MINIMUM 102 CUBIC METRES OF STORAGE PER Ha OF RUNOFF. L AND W ARE MEASURED ALONG THE BOTTOM OF THE TRAP. WHENEVER POSSIBLE, THE MAXIMUM AVERAGE DEPTH THE TRAP WILL BE 760mm. THE MAXIMUM DRAINAGE ARE ALLOWED PER TRAP IS 2Ha. THE DRAINAGE AREA IS THE TOTAL (INCLUDING OFF-SITE) AREA.

DEWATERING BASINS

STANDARD SYMBOL



REVISIONS	
NAME	DATE

ILLINOIS DEPARTMENT OF TRANSPORTATION
F.A.I. ROUTE 80/94 (KINGERY EXPRESSWAY)
EB & WB INSIDE LANES (MAINLINE) CONSTRUCTION
COOK COUNTY

**EROSION AND SEDIMENT CONTROL
STONE OUTLET STRUCTURE
SEDIMENT TRAP**

SCALE: NONE
DATE: 8/22/05

DRAWN BY: SN
CHECKED BY: MD

TENG TENG & ASSOCIATES, INC.
ENGINEERS/ARCHITECTS/PLANNERS
CHICAGO, ILLINOIS

I:\A99902\ADJON 8-18-2005, 09:48: T:\DOCUMENT\8150\NCIVIL\DRAWING\0924.DGN 12 13 14 15 16 17 18 19 20 21 22 23 24 25 26 27 28 29 30 31 32 33 34 35 36 37 38 39 40 41 42 43 44 45 46 47 48 49 50 51 52 53 54 55 56 57 58 59 60 61 62 63