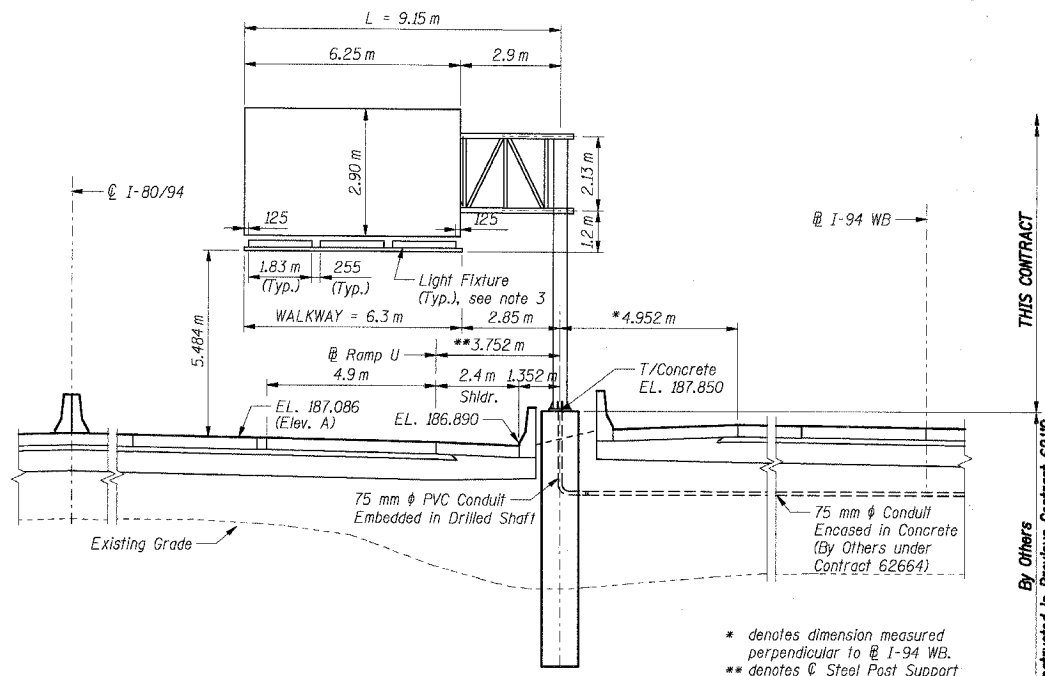
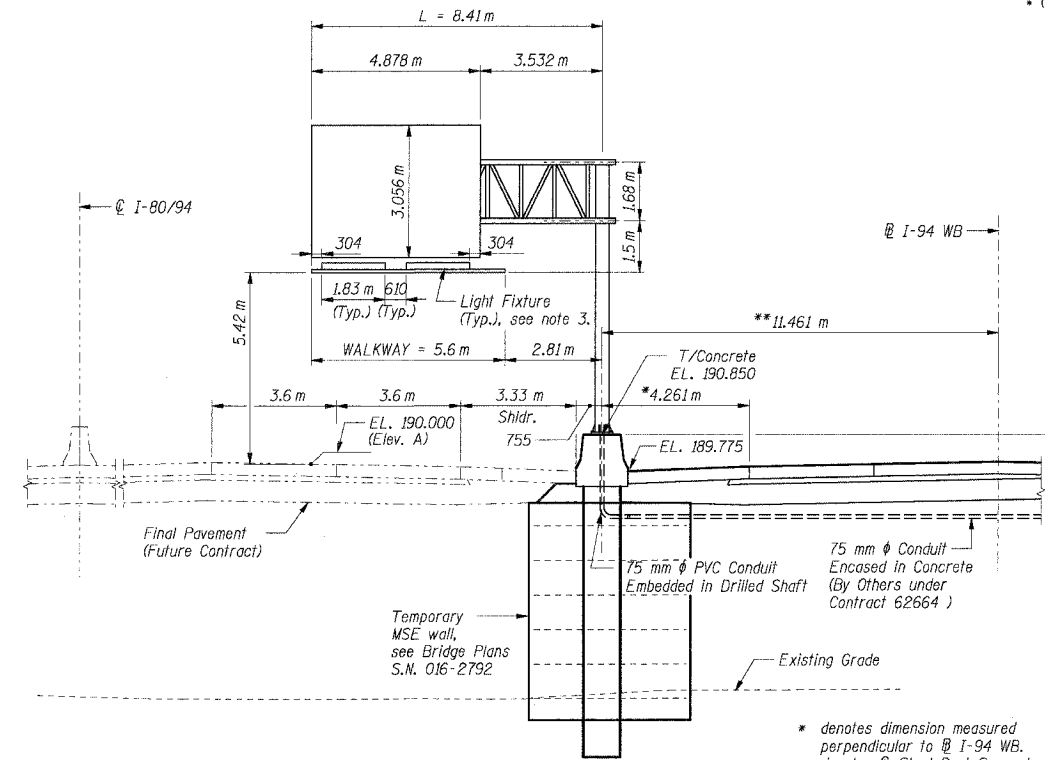


F.A.I. RTE.	SECTION	COUNTY	TOTAL SHEETS	SHEET NO.
80/94	*	COOK	631	316
STA.	TO STA.			
FED. ROAD DIST. NO.	ILLINOIS FED. AID PROJECT			
* (2425 & 2626) R-2		CONTRACT NO. 62110		



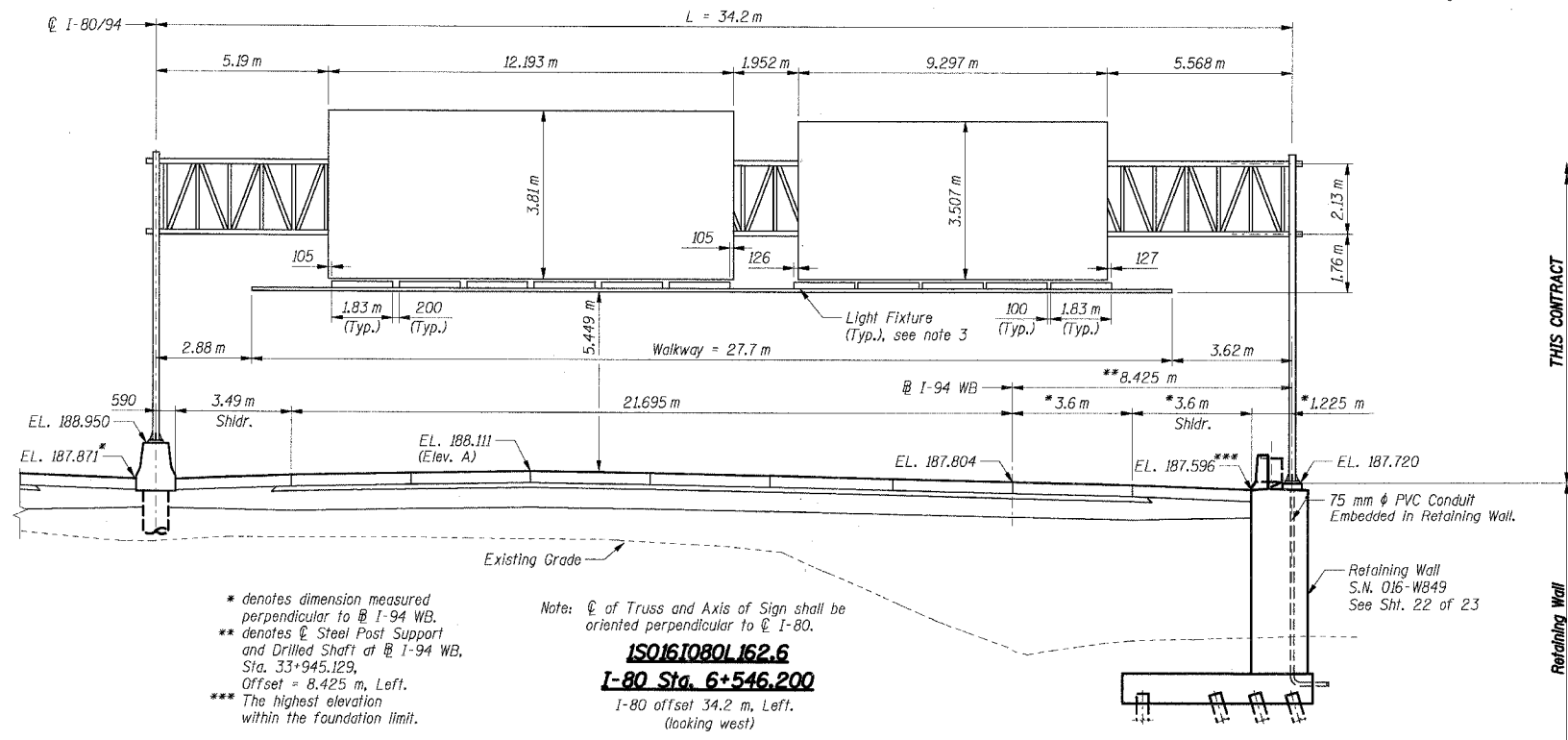
Note: ϕ of Truss and Axis of Sign shall be oriented perpendicular to ϕ Ramp U.
100161080162.1
I-80 Sta. 5+658.000
 I-80 offset 27.254 m, Left.
 (looking west)

- * denotes dimension measured perpendicular to ϕ I-94 WB.
- ** denotes ϕ Steel Post Support and Drilled Shaft at ϕ Ramp U, Sta. 240+507.231, Offset = 3.752 m, Left.



Note: ϕ of Truss and Axis of Sign shall be oriented perpendicular to ϕ I-80/94.
100161080162.3
I-80 Sta. 6+100.000
 I-80 offset 22.56 m, Left.
 (looking west)

- * denotes dimension measured perpendicular to ϕ I-94 WB.
- ** denotes ϕ Steel Post Support and Drilled Shaft at ϕ I-94 WB, Sta. 33+499.070, Offset = 11.461 m, Right.



Note: ϕ of Truss and Axis of Sign shall be oriented perpendicular to ϕ I-80.
100161080162.6
I-80 Sta. 6+546.200
 I-80 offset 34.2 m, Left.
 (looking west)

- * denotes dimension measured perpendicular to ϕ I-94 WB.
- ** denotes ϕ Steel Post Support and Drilled Shaft at ϕ I-94 WB, Sta. 33+945.129, Offset = 8.425 m, Left.
- *** The highest elevation within the foundation limit.

- Notes:**
- All dimensions are in millimeters (mm) except as noted.
 - All horizontal dimensions are along center line of truss, unless noted otherwise.
 - Light Fixtures are not included in this contract. They may be furnished and installed in future by others under a Separate Contract. Light Fixture mounts shall be provided with sign Structures.

REVISIONS	
NAME	DATE

1 of 23

ILLINOIS DEPARTMENT OF TRANSPORTATION
 F.A.I. ROUTE 80/94 (KINGERY EXPRESSWAY)
 EB & WB INSIDE LANES (MAINLINE) CONSTRUCTION
 COOK COUNTY

**SIGN STRUCTURE
 GENERAL ELEVATION**

SCALE: 1/8" = 1'-0"
 DATE: 7/18/2005

DRAWN BY: NK
 CHECKED BY: VCP

TENG
 TENG & ASSOCIATES, INC.
 ENGINEERS/ARCHITECTS/PLANNERS
 CHICAGO, ILLINOIS

W:\STR02AD\DN...M899002A.DGN
 7-12-2005, 10:23:46
 T:\DOCUMENTS\131750\STRUCT\06\MAINSTR0702A.DGN
 7-23-2005, 10:30:10
 12 13 14 15 16 17 18 19 20 21 22 23 24 25 26 27 28 29 30 31 32 33 34 35 36 37 38 39 40 41 42 43 44 45 46 47 48 49 50 51 52 53 54 55 56 57 58 59 60 61 62 63