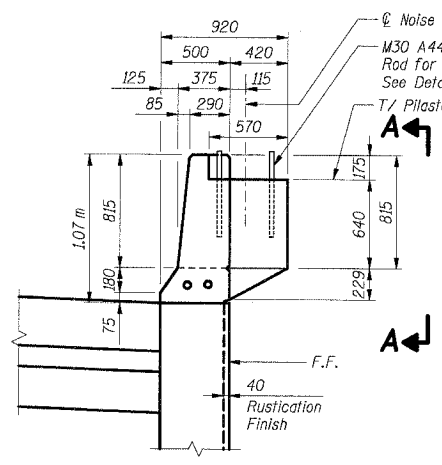
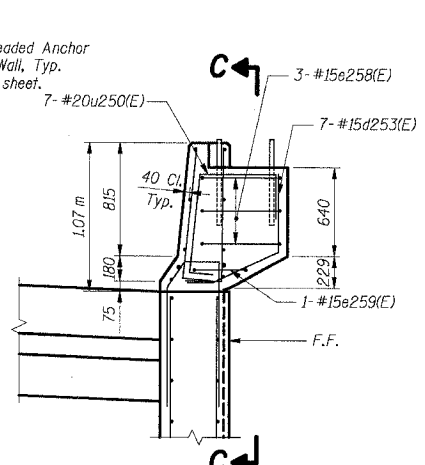


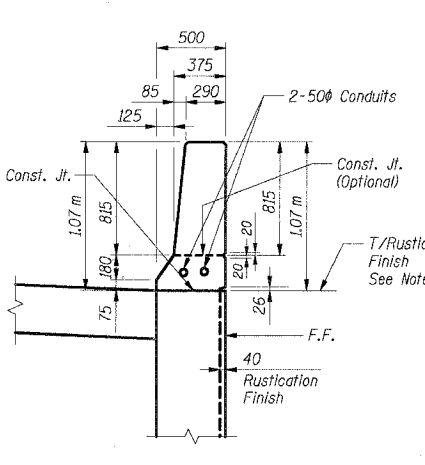
F.A.I. RTE.	SECTION	COUNTY	TOTAL SHEETS	SHEET NO.
80/94		COOK	631	368
STA.	TO STA.			
FED. ROAD DIST. NO.	ILLINOIS	FED. AID PROJECT		
(2425 & 2626) R-2	CONTRACT NO. 62111			



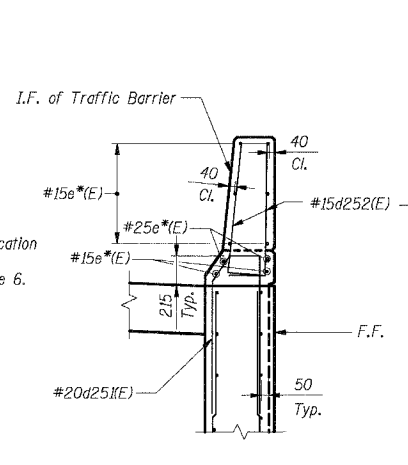
TRAFFIC BARRIER W/PILASTER



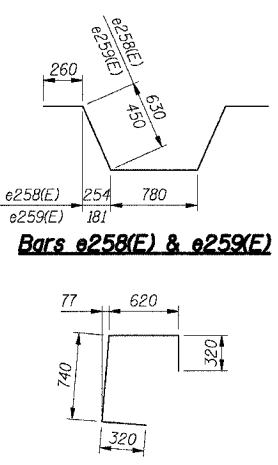
TRAFFIC BARRIER W/PILASTER (Showing Reinforcement)



TYPICAL TRAFFIC BARRIER SECTION



TYPICAL TRAFFIC BARRIER SECTION (Showing Reinforcement)



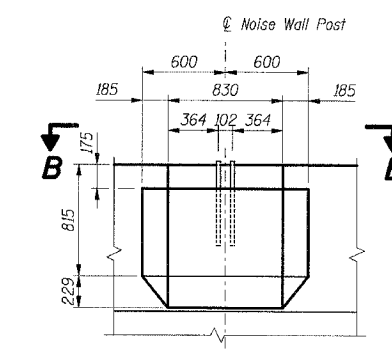
Bar u250(E)

BAR LIST FOR EACH PILASTER (FOR INFORMATION ONLY)

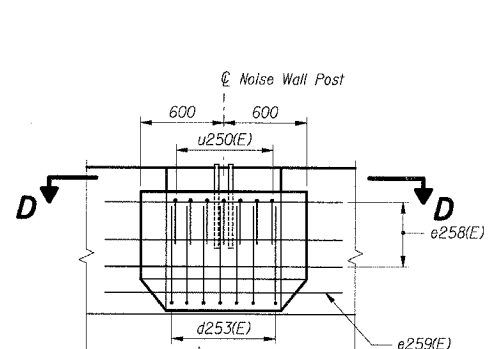
Bar	No.	Size	Length (m)	Shape
d253(E)	7	#15	1.30	U
e258(E)	3	#15	2.56	W
e259(E)	1	#15	2.20	W
u250(E)	7	#20	2.00	C

BILL OF MATERIAL

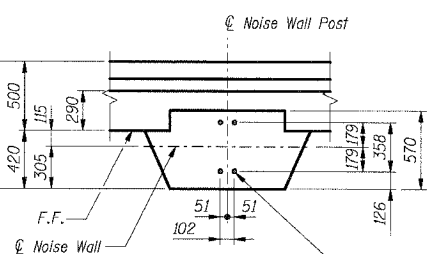
Item	Unit	Total
Noise Abatement Wall Anchor Rod Assembly	Ea	13



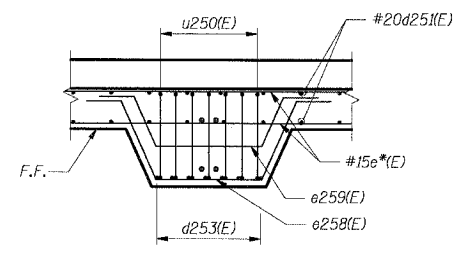
ELEVATION A-A



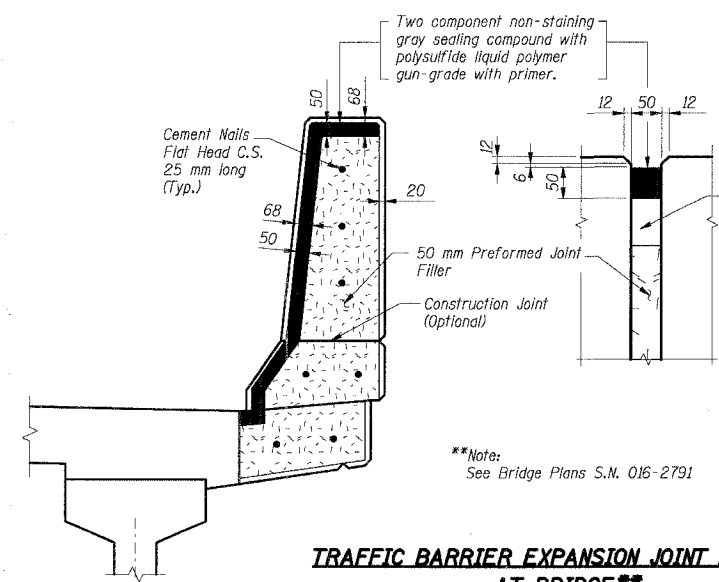
SECTION C-C



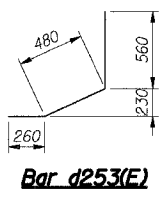
PLAN B-B



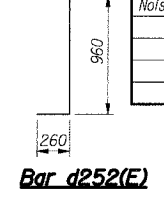
SECTION D-D



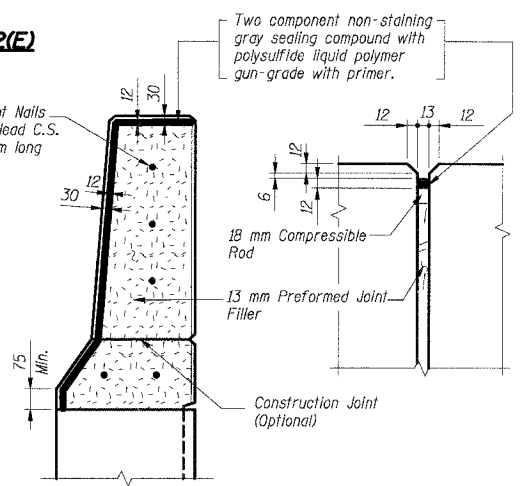
TRAFFIC BARRIER EXPANSION JOINT DETAIL AT BRIDGE**



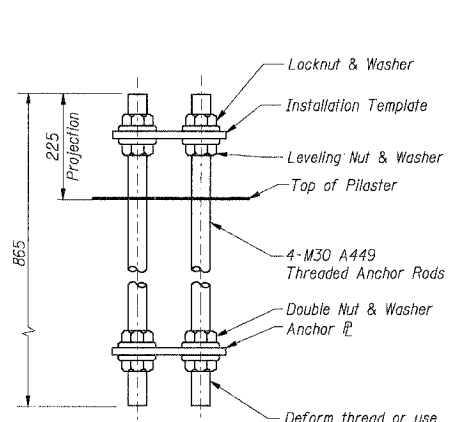
Bar d253(E)



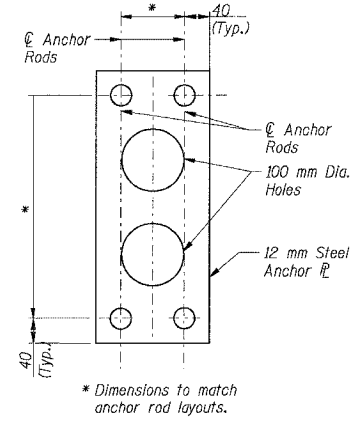
Bar d252(E)



TYPICAL TRAFFIC BARRIER EXPANSION JOINT DETAIL



ELEVATION



PLAN

Note: Entire anchor rod assembly shall be hot dip galvanized.

NOISE ABATEMENT WALL ANCHOR ROD ASSEMBLY (13 Required)

- Notes:
- All dimensions are in millimeters (mm) except as noted.
 - Reinforcement bars designated (E) shall be epoxy coated.
 - All edges shall have a 20 mm chamfer unless noted otherwise.
 - E.F. indicates each face.
 - B.F. indicates back face.
 - F.F. indicates front face.
 - * Indicates location of bars, identification and quantity, see Footing Plans & Wall Elevations.
 - For Rustication Finish details, see Sht. RW851-12.

SHT. RW851-10 OF 14

REVISIONS	
NAME	DATE

ILLINOIS DEPARTMENT OF TRANSPORTATION
 F.A.I. ROUTE 80/94 (KINGERY EXPRESSWAY)
 EB & WB INSIDE LANES (MAINLINE) CONSTRUCTION
 RETAINING WALL - STRUCTURE NO. 016-W851
 SECTION (2425 & 2626) R-2
 COOK COUNTY

TRAFFIC BARRIER SECTIONS & DETAILS

DATE: 7/18/2005

DRAWN BY: MJK
 CHECKED BY: MJK

TENG & ASSOCIATES, INC.
 ENGINEERS/ARCHITECTS/PLANNERS
 CHICAGO, ILLINOIS

N:\E99062A.DGN... \E99062A.DGN
 7-2-2005, 10:25:35
 1: \DOCUMENT\93750\STRUCT\VDON\8517402A.DGN
 12.3.4.56.78.9.10.11.12.13.14.15.16.17.18.19.20.21.22.23.24.25.26.27.28.29.30.31.32.33.34.35.36.37.38.39.40.41.42.43.44.45.46.47.48.49.50.51.52.53.54.55.56.57.58.59.60.61.62.63

