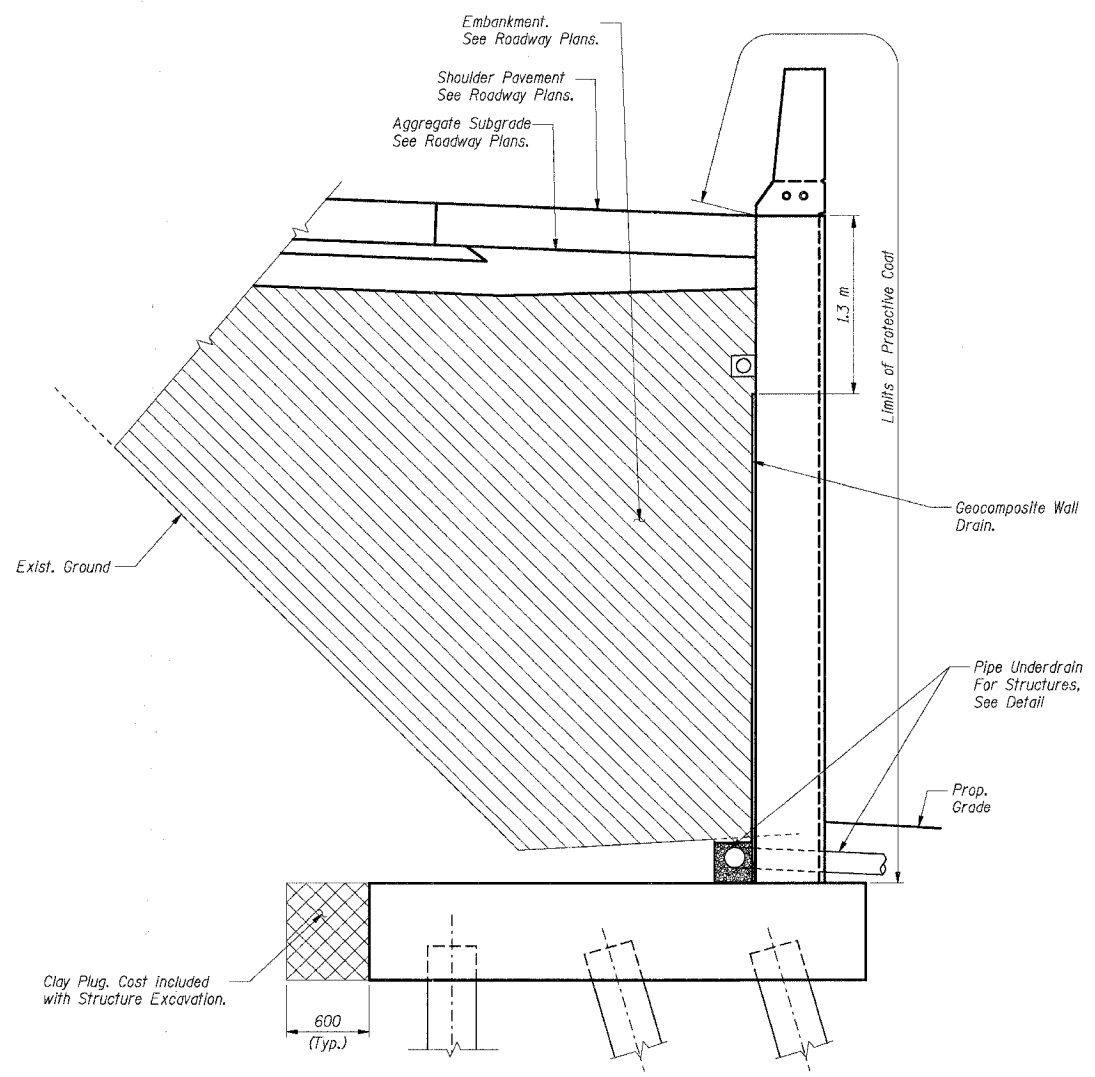
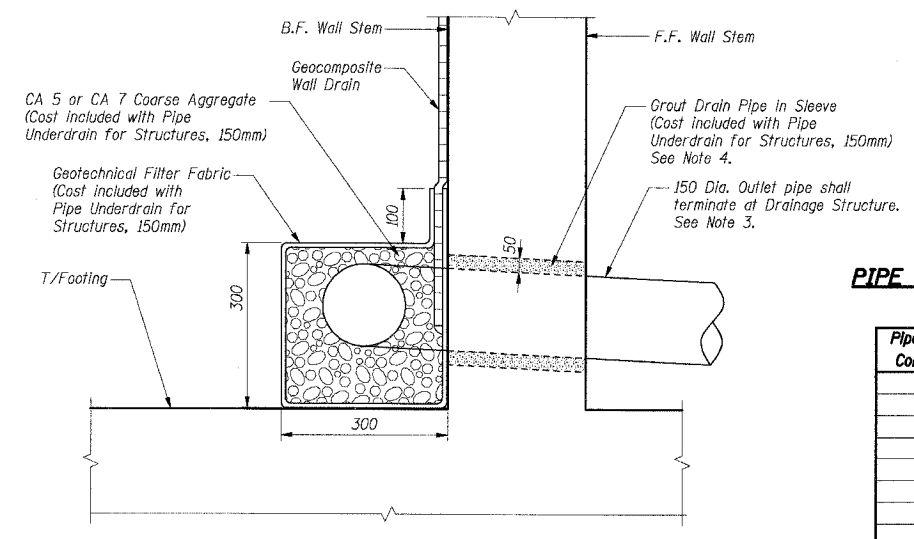


F.A.I. RTE.	SECTION	COUNTY	TOTAL SHEETS	SHEET NO.
80/94	•	COOK	631	369
STA.	TO STA.			
FED. ROAD DIST. NO.	ILLINOIS	FED. AID PROJECT		
• (2425 & 2626) R-2		CONTRACT NO. 62111		



TYPICAL WALL DRAINAGE SECTION



PIPE UNDERDRAIN FOR STRUCTURES DETAIL

PIPE UNDERDRAIN/DRAINAGE STRUCTURE CONNECTION TABLE

Pipe Underdrain Connection No.	Connection at Station	Drainage Structure No.
1	84+065.91	1513

- Notes:
- All dimensions are in millimeters (mm) except as noted.
 - Reinforcement bars designated (E) shall be epoxy coated.
 - Outlet pipe and fittings shall be Extra Heavy Ductile Iron Pipe conforming to the requirements of ASTM A746 with plain end. (Cost included with Pipe Underdrain For Structures, 150mm).
 - Prior to the placement of the pipe underdrain sleeve, the Engineer shall determine the slope required for the pipe underdrain to enter the drainage structure.

11-2-2005 04:25:16
 T:\DOCUMENTS\STRUCT\ADON\RS17422\ADON
 1 2 3 4 5 6 7 8 9 10 11 12 13 14 15 16 17 18 19 20 21 22 23 24 25 26 27 28 29 30 31 32 33 34 35 36 37 38 39 40 41 42 43 44 45 46 47 48 49 50 51 52 53 54 55 56 57 58 59 60 61 62 63
 BAJZEKJ

Shah Engineering, Inc.
 ONE IBM PLAZA SUITE 3300
 CHICAGO, IL 60611
 TEL: 312/436-8600
 Consulting Engineers

SHT. RW851-11 OF 14

REVISIONS	
NAME	DATE

ILLINOIS DEPARTMENT OF TRANSPORTATION
 F.A.I. ROUTE 80/94 (KINGERY EXPRESSWAY)
 EB & WB INSIDE LANES (MAINLINE) CONSTRUCTION
 RETAINING WALL - STRUCTURE NO. 016-W851
 SECTION (2425 & 2626) R-2
 COOK COUNTY

**DRAINAGE DETAILS
 & WALL REINFORCEMENT DETAILS**

DATE: 7/18/2005
 DRAWN BY: MJK
 CHECKED BY: MJK

TENG
 TENG & ASSOCIATES, INC.
 ENGINEERS/ARCHITECTS/PLANNERS
 CHICAGO, ILLINOIS