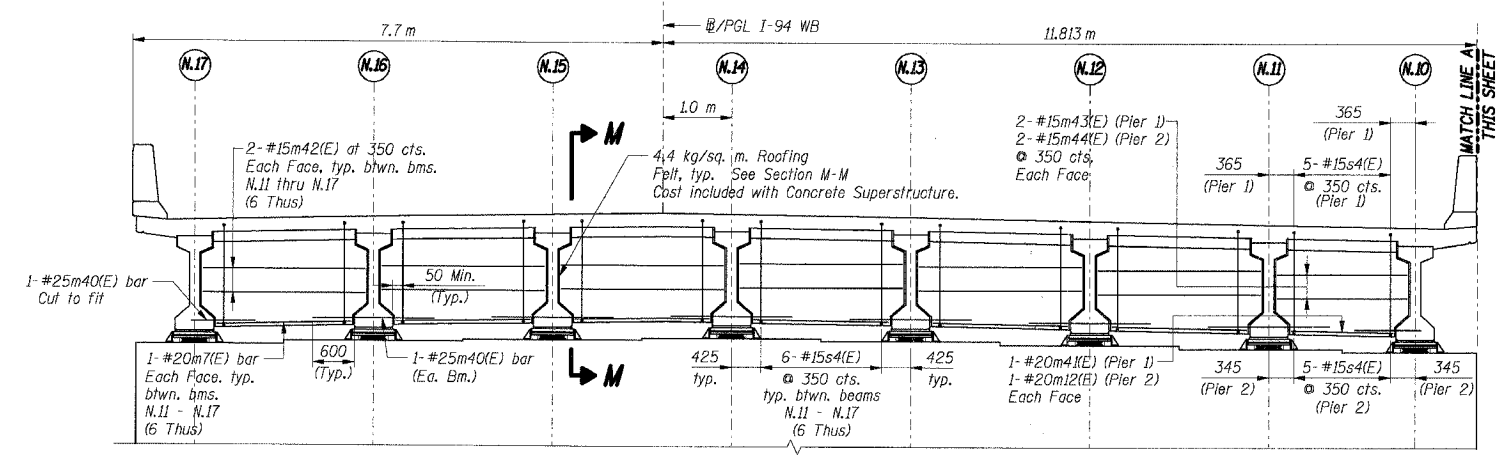
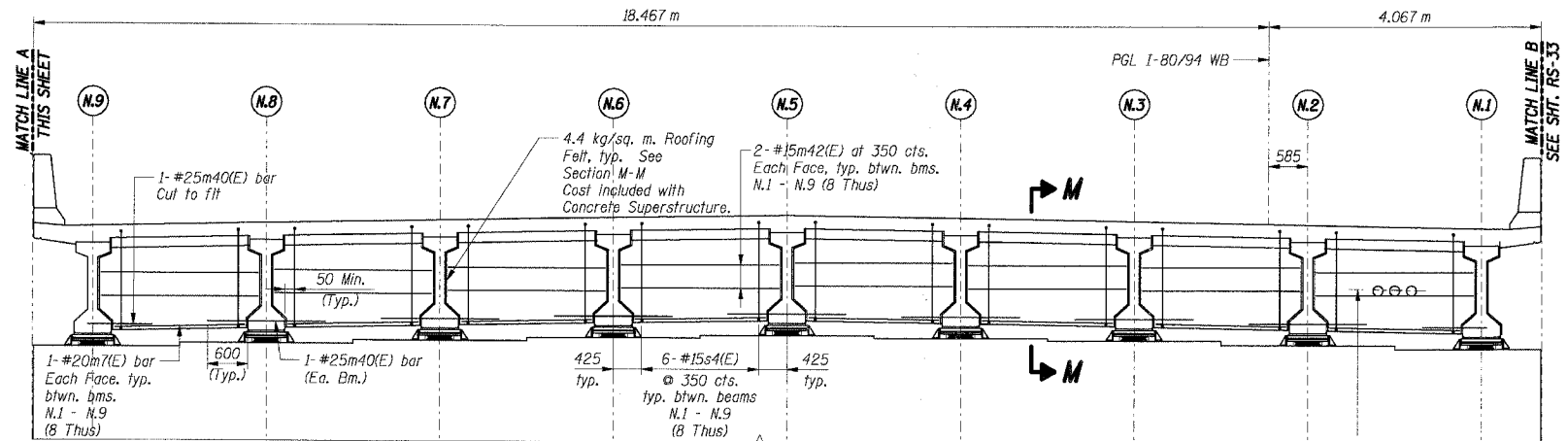


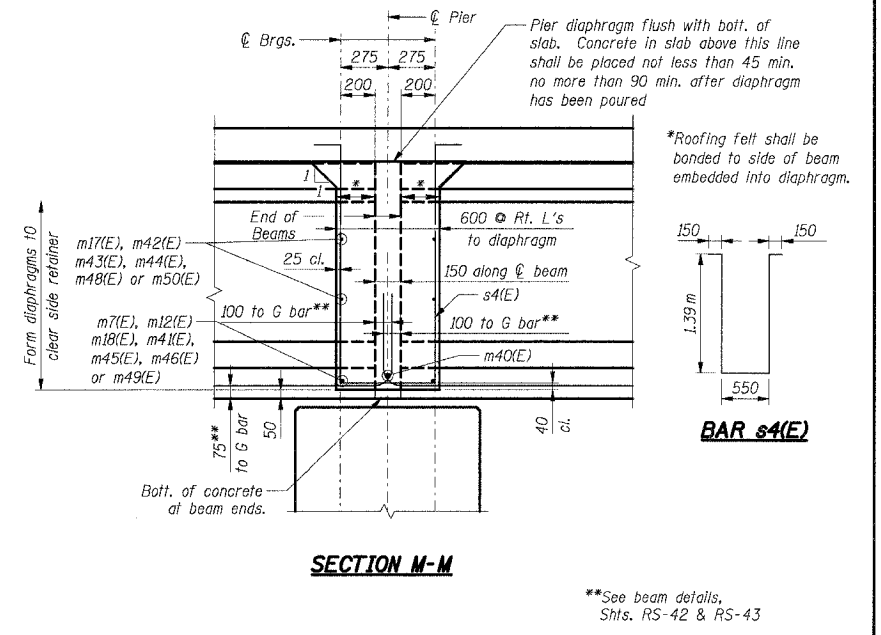
F.A.I. RTE.	SECTION	COUNTY	TOTAL SHEETS	SHEET NO.
80/94		COOK	631	404
STA.	TO STA.			
FED. ROAD DIST. NO.	ILLINOIS	FED. AID PROJECT		
* (2425 & 2626) R-2		CONTRACT NO. 62111		



DIAPHRAGM AT PIER-I
(Looking East)
**FOR INFORMATION ONLY
CONSTRUCTED IN PREVIOUS CONTRACT 62110**



DIAPHRAGM AT PIER-II (THIS CONTRACT)
(Looking East)
(2 Thus)
3-150 mm ϕ PVC Sleeves spaced 250 mm center. Coordinate actual placement with the Electrical Subcontractor. Cost Included with Concrete Superstructure.



SECTION M-M
**See beam details, Shts. RS-42 & RS-43

- Notes:**
- All dimensions are in millimeters (mm) except as noted.
 - Reinforcement bars designated (E) shall be epoxy coated.
 - Bars indicated thus 74x10-#15 etc. indicates 74 lines of bars with 10 lengths per line
 - For Reinforcement Bar List & Bill of Material, see Sht. RS-34.
 - Work this Sheet with Shts. RS-24 thru RS-31 & RS-33 and RS-34.
 - I.F. Denotes Inside Face
O.F. Denotes Outside Face.
 - All edges shall have a 20 mm chamfer unless noted otherwise.

..\AB99001ZADON, ..\SU99R432A.DGN, ..\SU99R432A.DGN, ..\SU99R432A.DGN
 7-12-2005, 04:25:44 F:\DOCUMENT\B317501\STRUCT\ADON\SU99R432A.DGN
 1 2 3 4 5 6 7 8 9 10 11 12 13 14 15 16 17 18 19 20 21 22 23 24 25 26 27 28 29 30 31 32 33 34 35 36 37 38 39 40 41 42 43 44 45 46 47 48 49 50 51 52 53 54 55 56 57 58 59 60 61 62 63



SHT. RS-32 OF 70

REVISIONS	
NAME	DATE

ILLINOIS DEPARTMENT OF TRANSPORTATION
 F.A.I. ROUTE 80/94 (KINGERY EXPRESSWAY)
 EB & WB INSIDE LANES (MAINLINE) CONSTRUCTION
 I-80/94 OVER RAILROAD AVENUE
 STRUCTURE NO. 016-2792 STA. 6+025.000
 SECTION 1977-121-R
 COOK COUNTY

**PIER DIAPHRAGM ELEVATIONS
& SECTIONS - I**

DATE: 7/18/2005
 DRAWN BY: LAR
 CHECKED BY: MIK

TENG
 TENG & ASSOCIATES, INC.
 ENGINEERS/ARCHITECTS/PLANNERS
 CHICAGO, ILLINOIS