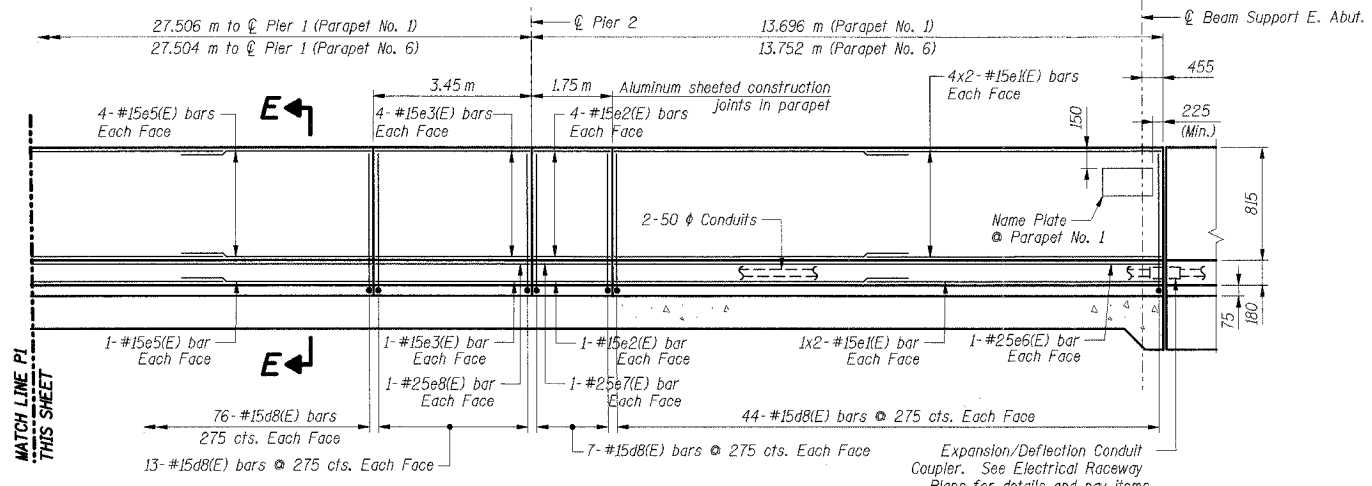
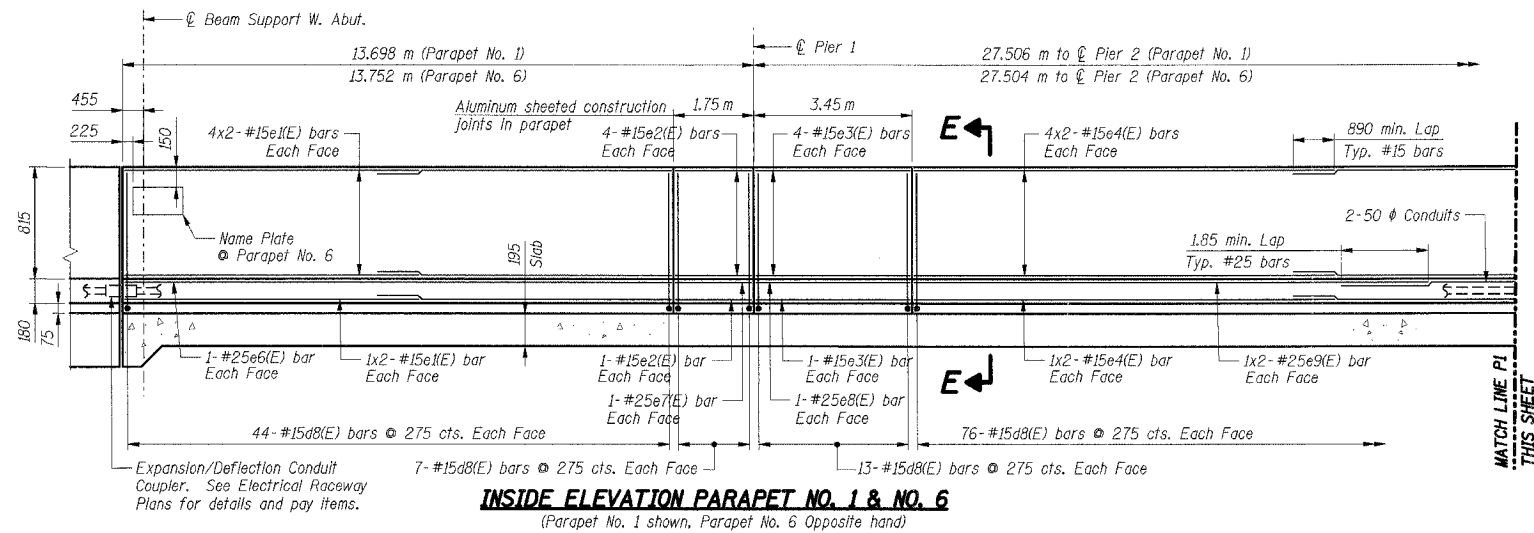


F.A.I. RTE.	SECTION	COUNTY	TOTAL SHEETS	SHEET NO.
80/94	*	COOK	631	407
STA.	TO STA.			
FED. ROAD DIST. NO.	ILLINOIS	FED. AID PROJECT		
* (2425 & 2626) R-2			CONTRACT NO. 62111	

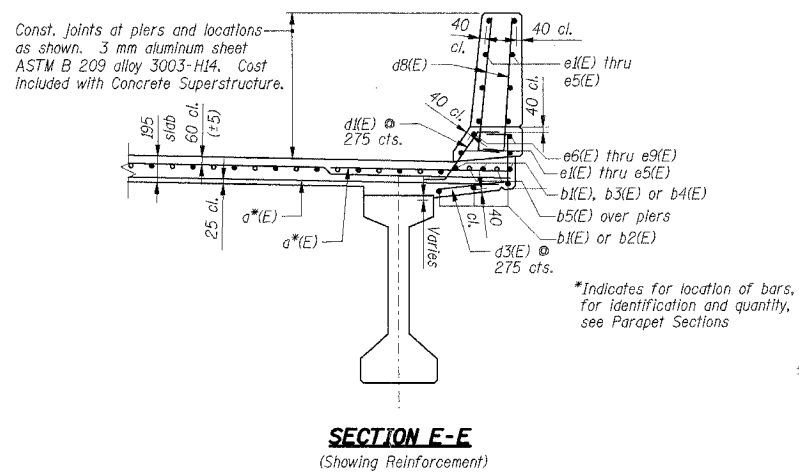
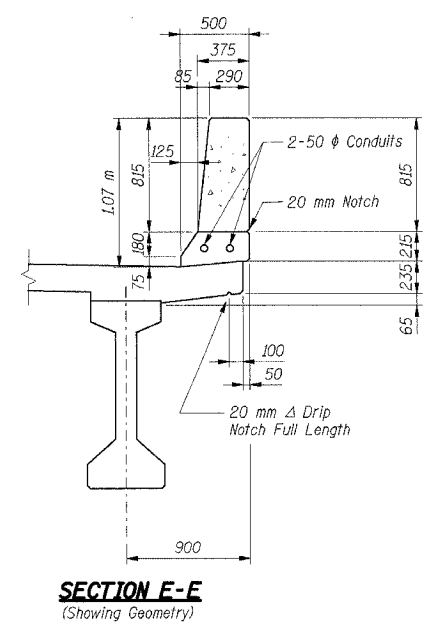
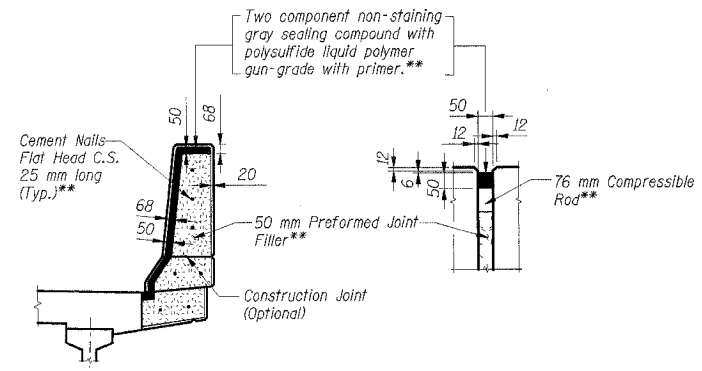


BAR LIST
(For Each Parapet)

Bar	No.	Size	Length (m)	Shape
d8(E)	408	#15	1.10	—
e1(E)	40	#15	6.40	—
e2(E)	20	#15	1.65	—
e3(E)	20	#15	3.35	—
e4(E)	20	#15	9.00	—
e5(E)	10	#15	4.30	—
e6(E)	4	#25	11.90	—
e7(E)	4	#25	1.65	—
e8(E)	4	#25	3.35	—
e9(E)	4	#25	11.20	—

BILL OF MATERIAL
(For Both Parapets)

Item	Unit	Total
Concrete Superstructure	Cu m	55.6
Reinforcement Bars, Epoxy Coated	kg	4100
Name Plates	Each	2



PARAPET EXPANSION JOINT DETAIL AT RETAINING WALL**

- Notes:**
- All dimensions are in millimeters (mm) except as noted.
 - Reinforcement bars designated (E) shall be epoxy coated.
 - Bars indicated thus 74x10-#15 etc. indicates 74 lines of bars with 10 lengths per line.
 - Work this Sheet with Shts. RS-24 thru RS-27.
 - I.F. Denotes Inside Face
O.F. Denotes Outside Face.
 - All edges shall have a 20 mm chamfer unless noted otherwise.

THIS SHEET FOR INFORMATION ONLY

ILLINOIS DEPARTMENT OF TRANSPORTATION
F.A.I. ROUTE 80/94 (KINGERY EXPRESSWAY)
EB & WB INSIDE LANES (MAINLINE) CONSTRUCTION
1-80/94 OVER BURNHAM AVENUE
STRUCTURE NO. 016-2791 STA. 6+772.591
SECTION 1977-121-R
COOK COUNTY

NORTH & SOUTH PARAPET ELEVATIONS & DETAILS

DATE: 9/13/05
DRAWN BY: LAR
CHECKED BY: MJK

TENG
TENGG & ASSOCIATES, INC.
ENGINEERS/ARCHITECTS/PLANNERS
CHICAGO, ILLINOIS

SHT. RS-35 OF 60

REVISIONS	
NAME	DATE

\S:\988302\ADGN... \S:\988022\ADGN... \S:\988022\ADGN... \S:\988022\ADGN...
 9-08-2005 09:29:56 T:\DOCUMENT\981760\STRUCT\ADGN\SU1702\ADGN...
 12 3 4 56 78 9 10 11 12 13 14 15 16 17 18 19 20 21 22 23 24 25 26 27 28 29 30 31 32 33 34 35 36 37 38 39 40 41 42 43 44 45 46 47 48 49 50 51 52 53 54 55 56 57 58 59 60 61 62 63