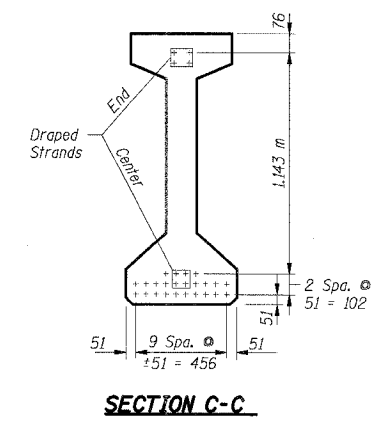
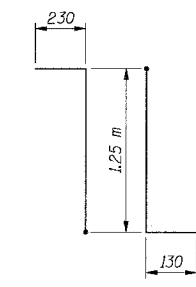
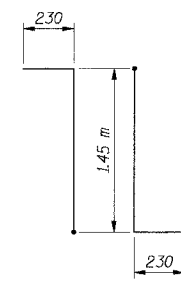
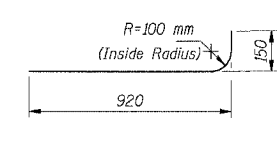
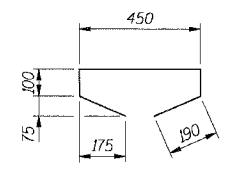
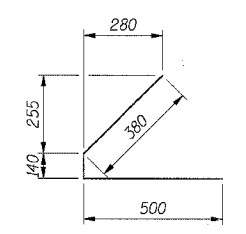
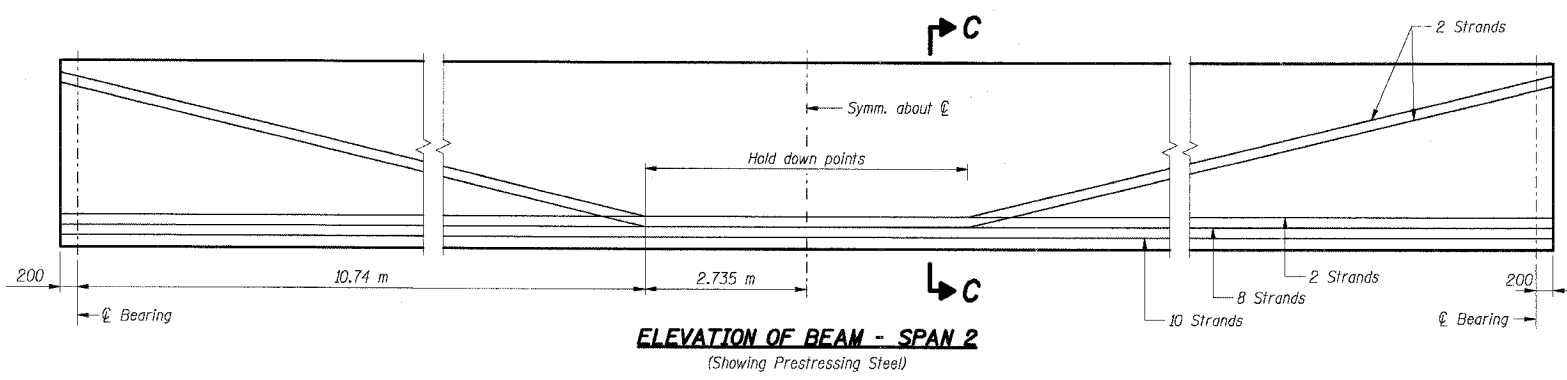
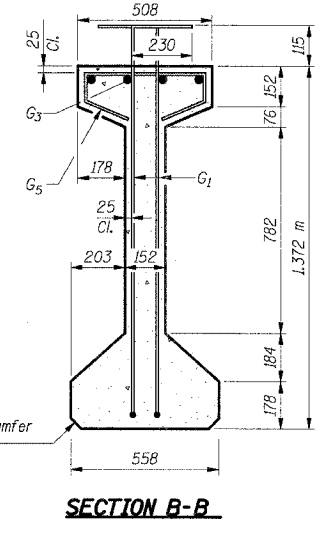
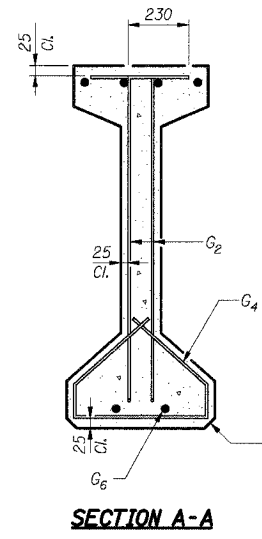
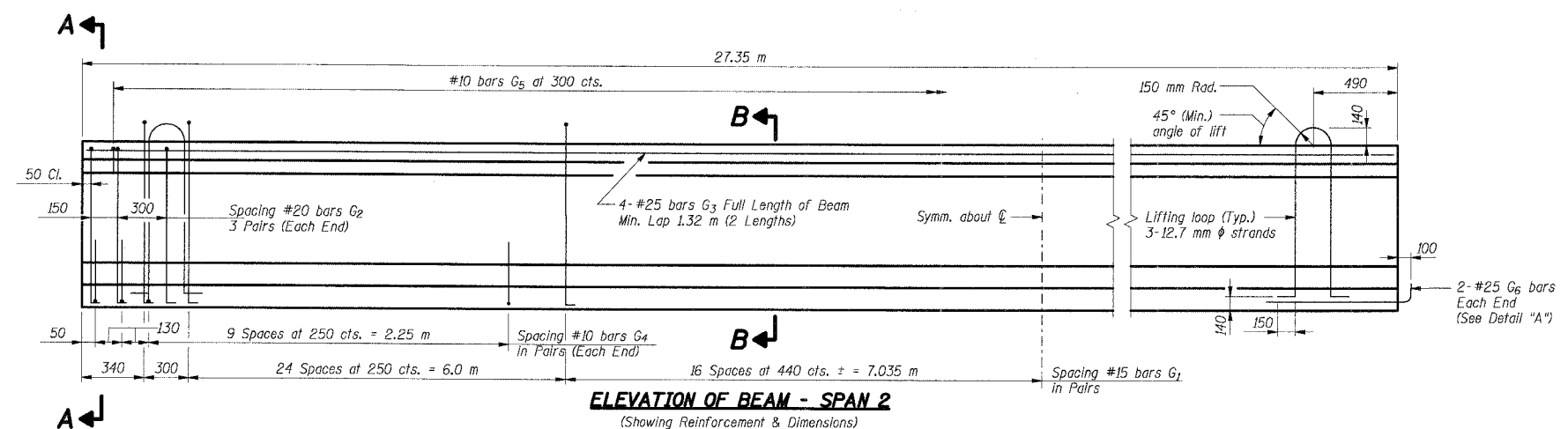


F.A.I. R.T.E.	SECTION	COUNTY	TOTAL SHEETS	SHEET NO.
80/94	*	COOK	631	415
STA.	TO STA.			
FED. ROAD DIST. NO.	ILLINOIS	FED. AID PROJECT		
* (2425 & 2626) R-2		CONTRACT NO. 62111		



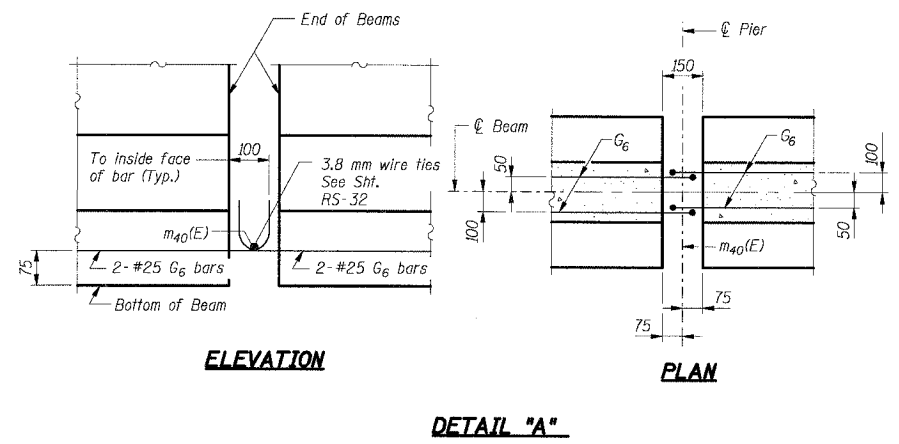
*** BAR LIST**

Bar	No.	Size	Length (m)	Shape
G1	166	#15	1.91	┘┘
G2	12	#20	1.61	┘┘
G3	8	#25	14.29	┘┘
G4	48	#10	1.02	┘┘
G5	91	#10	1.03	┘┘
G6	4	#25	1.07	┘┘

* For one beam only.

BILL OF MATERIAL

Item	Unit	Total
Furnishing and Erecting Precast Prestressed Concrete I-Beams, 1372 mm	m	437.6



Notes:

- All dimensions are in millimeters (mm) except as noted.
- All reinforcing and Prestressing Steel, and other items which are cast into the Precast Concrete I-Beams shall be included in the contract unit price per meter of "Furnishing and Erecting Precast Prestressed Concrete I-Beams, 1372 mm."
- Prestressing steel shall be uncoated high strength, low relaxation 7-wire strand (Fu=1860 MPa).
- The nominal diameter shall be 12.7 mm and the nominal cross-sectional area shall be 98.71 sq. mm.
- Non-prestressing steel shall conform to AASHTO designation M 31M or M 322M, Grade 400.
- Lifting loops shall be 3-12.7 mm ϕ strands (Fu=1860 MPa), as shown.
- Required release strength, f'cl, shall be 34.5 MPa.
- Reinforcement bars designated (E) shall be epoxy coated.
- For bearing plates cast with beam, see Sht. RS-44.

SHT. RS-43 OF 70

REVISIONS	
NAME	DATE

ILLINOIS DEPARTMENT OF TRANSPORTATION
 F.A.I. ROUTE 80/94 (KINGERY EXPRESSWAY)
 EB & WB INSIDE LANES (MAINLINE) CONSTRUCTION
 I-80/94 OVER RAILROAD AVENUE
 STRUCTURE NO. 016-2792 STA. 6+025.000
 SECTION 1977-121-R
 COOK COUNTY

1.372 M PPC I-BEAM ELEVATION - II & DETAILS

DATE: 7/18/2005

DRAWN BY: PA
 CHECKED BY: TCU

TENG
 TENG & ASSOCIATES, INC.
 ENGINEERS/ARCHITECTS/PLANNERS
 CHICAGO, ILLINOIS

..\FP98092A.DGN, ..\MB99002A.DGN
 7-2-2005, 10:25:52
 T:\DOCUMENT\193750\STRUCT\CON\FPT97372A.DGN
 123456789101112131415161718192021222324252627282930313233343536373839404142434445464748495051525354555657585960616263
 BAJZKJKJ