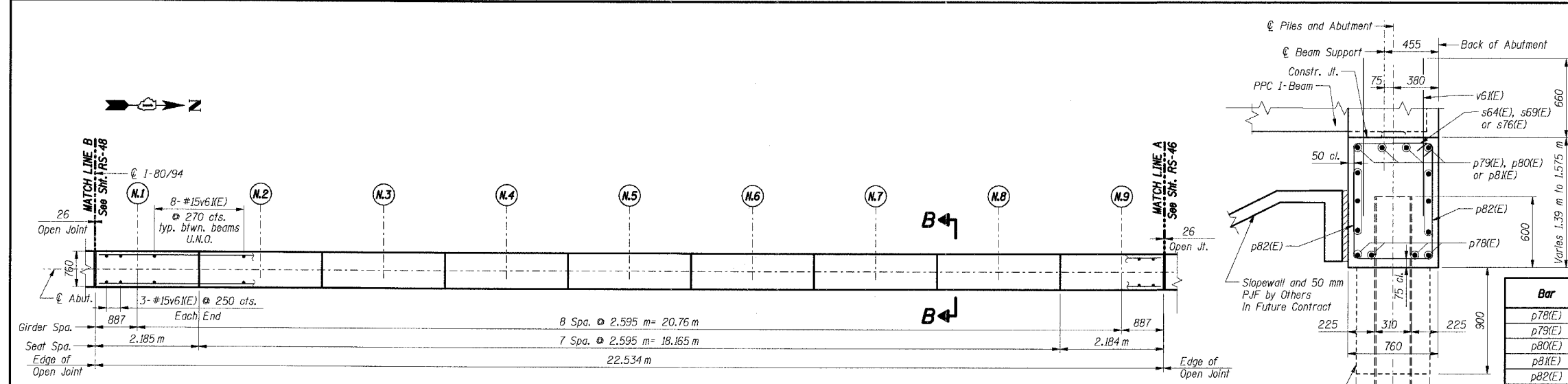
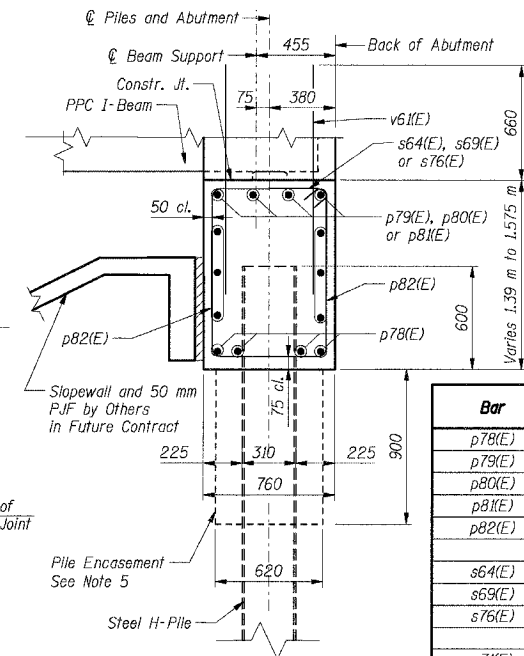


F.A.I. RTE.	SECTION	COUNTY	TOTAL SHEETS	SHEET NO.
80/94		COOK	631	419
STA.	TO STA.			
FED. ROAD DIST. NO.	ILLINOIS	FED. AID PROJECT		
	• (2425 & 2626) R-2			CONTRACT NO. 62111



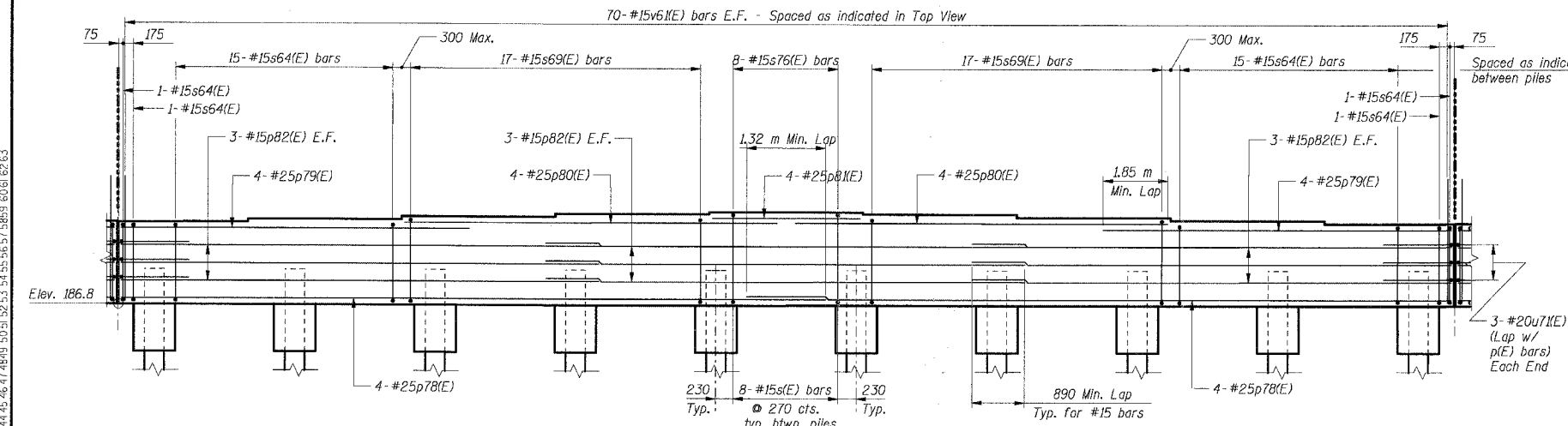
TOP VIEW



SECTION B-B

BAR LIST

Bar	No.	Size	Length (m)	Shape
p78(E)	8	#25	11.88	—
p79(E)	8	#25	6.58	—
p80(E)	8	#25	6.99	—
p81(E)	4	#25	2.49	—
p82(E)	18	#15	8.07	—
s64(E)	34	#15	4.12	□
s69(E)	34	#15	4.32	□
s76(E)	8	#15	4.50	□
u7(E)	6	#20	2.85	L
v6(E)	140	#15	1.32	—



ELEVATION (Looking West)

BEARING SEAT ELEVATIONS

Girder	West Abutment	Steps
N.1	188.190	50
N.2	188.240	50
N.3	188.290	50
N.4	188.340	35
N.5	188.375	35
N.6	188.340	50
N.7	188.290	50
N.8	188.240	50
N.9	188.190	50

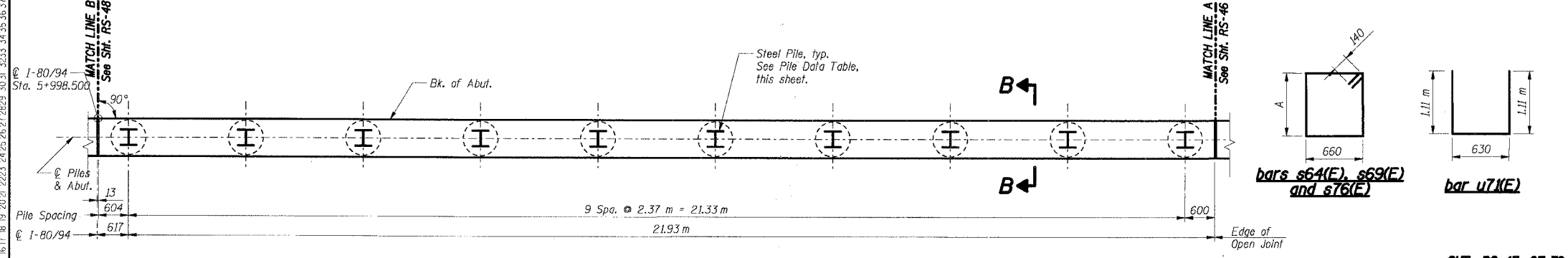
BILL OF MATERIAL

Item	Unit	Total
Concrete Structures	Cu m	25.4
Reinforcement Bars, Epoxy Coated	kg	1,900
Structure Excavation	Cu m	269

PILE DATA

Bar	A (m)
s64(E)	1.26
s69(E)	1.36
s76(E)	1.45

PILE DATA
 Type: HP 310x79
 Design Capacity: 600 kN
 Required Bearing: 900 kN
 Est. Length: 26 m
 No. Required: 9 + 1 Test Pile



FOOTING PLAN

- Notes:**
- All dimensions are in millimeters (mm) except as noted.
 - Reinforcement bars designated (E) shall be epoxy coated.
 - E.F. indicates each face.
 - Work this sheet with sheets RS-46 and RS-48.
 - For Pile Encasement details, see sheet RS-3.

ILLINOIS DEPARTMENT OF TRANSPORTATION
 F.A.I. ROUTE 80/94 (KINGERY EXPRESSWAY)
 EB & WB INSIDE LANES (MAINLINE) CONSTRUCTION
 I-80/94 OVER RAILROAD AVENUE
 STRUCTURE NO. 016-2792 STA. 6+025.000
 SECTION 1977-121-R
 COOK COUNTY

WEST ABUTMENT PLAN, ELEVATION & SECTION - II

DATE: 7/18/2005
 DRAWN BY: LS
 CHECKED BY: TCU

TENG
 TENG & ASSOCIATES, INC.
 ENGINEERS/ARCHITECTS/PLANNERS
 CHICAGO, ILLINOIS

BAJ/ZK/J
 1:1 DOCUMENT 03/31/2005 11:22:23 2425 2626 R-2 2829 30 31 3233 34 35 36 37 3839 40 41 4243 44 45 46 47 4849 50 51 52 53 54 55 56 57 5859 60 61 62 63
 \\AB99R032ADON...AB99R032ADON...AB99R032ADON...AB99R032ADON...AB99R032ADON...AB99R032ADON...AB99R032ADON...AB99R032ADON...AB99R032ADON...AB99R032ADON...
 7-12-2005 10:25:56
 1 2 3 4 5 6 7 8 9 10 11 12 13 14 15 16 17 18 19 20 21 22 23 24 25 26 27 28 29 30 31 32 33 34 35 36 37 38 39 40 41 42 43 44 45 46 47 48 49 50 51 52 53 54 55 56 57 58 59 60 61 62 63

SHT. RS-47 OF 70

REVISIONS	NAME	DATE