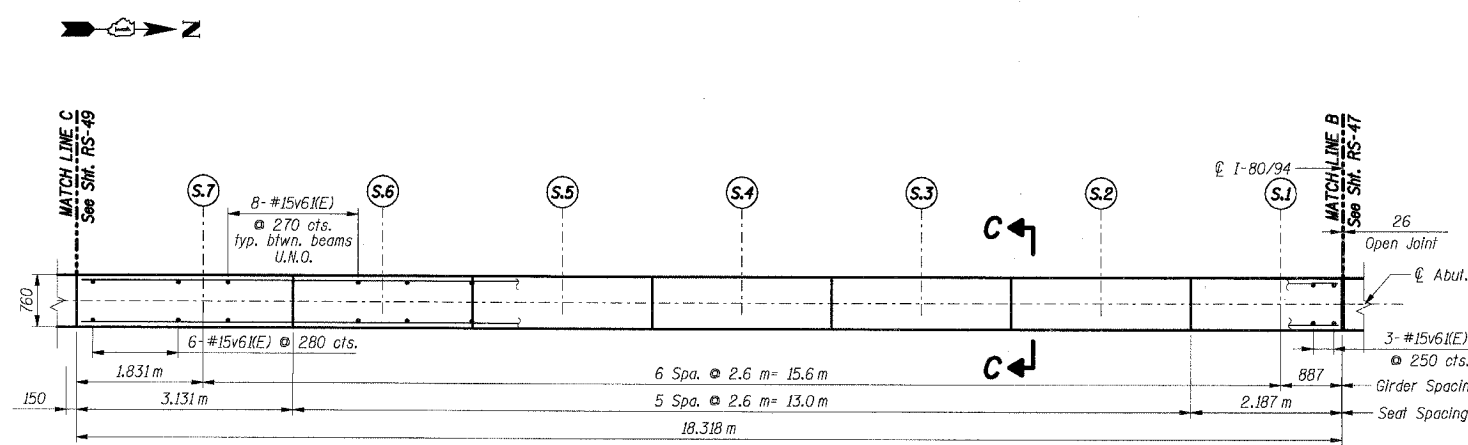
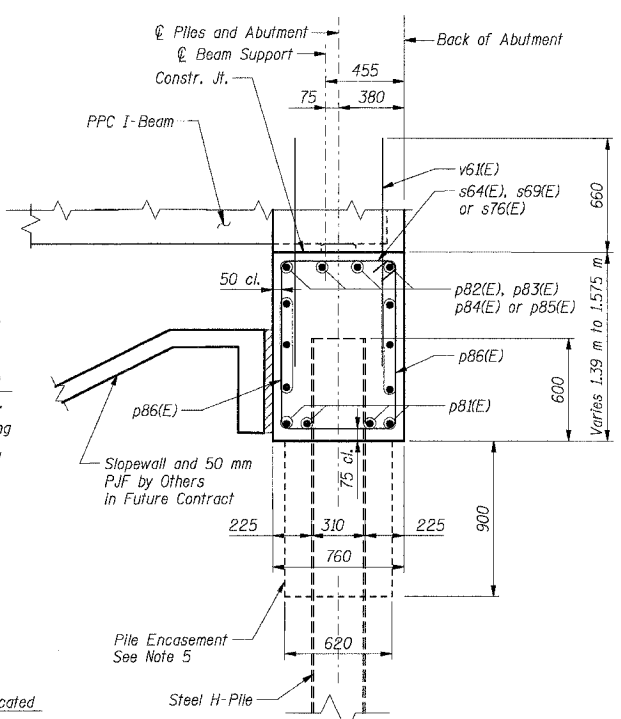


F.A.I. RTE.	SECTION	COUNTY	TOTAL SHEETS	SHEET NO.
80/94		COOK	631	420
STA.	TO STA.			
FED. ROAD DIST. NO.	ILLINOIS	FED. AID PROJECT		
• (2425 & 2626) R-2			CONTRACT NO. 6211	

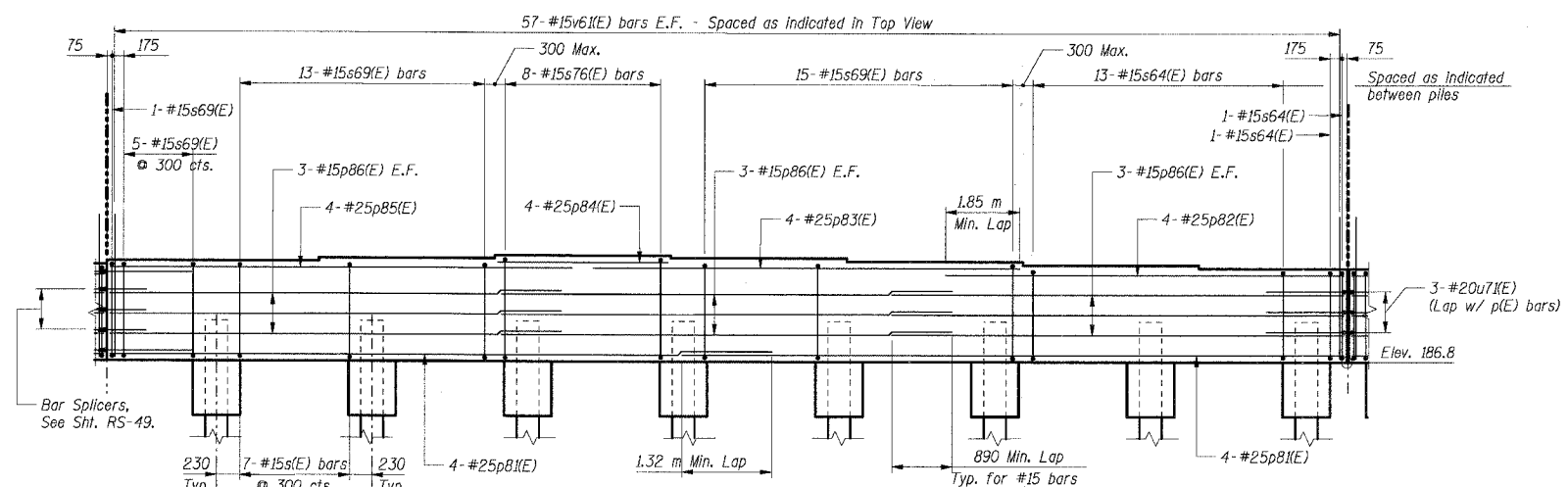


TOP VIEW



SECTION C-C

Bar	No.	Size	Length (m)	Shape
p81(E)	8	#25	9.77	—
p82(E)	4	#25	6.59	—
p83(E)	4	#25	7.00	—
p84(E)	4	#25	2.50	—
p85(E)	4	#25	7.53	—
p86(E)	18	#15	6.67	—
s64(E)	15	#15	4.12	□
s69(E)	34	#15	4.32	□
s76(E)	8	#15	4.50	□
u7(E)	3	#20	2.85	□
v6(E)	114	#15	1.32	—

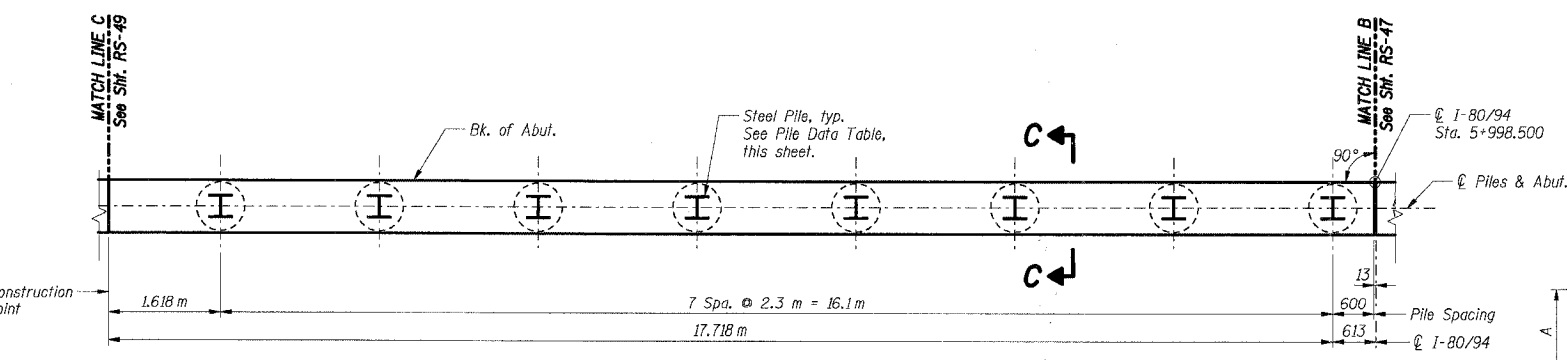


ELEVATION (Looking West)

Girder	West Abutment	Steps
S.7	188.290	45
S.6	188.335	40
S.5	188.375	35
S.4	188.340	50
S.3	188.290	50
S.2	188.240	50
S.1	188.190	50

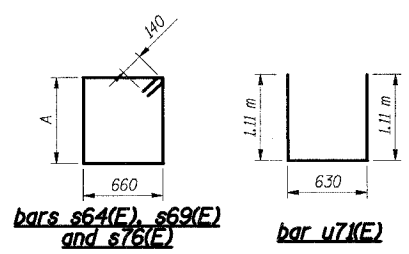
Item	Unit	Total
Concrete Structures	Cu m	20.8
Reinforcement Bars, Epoxy Coated	kg	1,510
Structure Excavation	Cu m	317

Type:	HP 310x79
Design Capacity:	600 kN
Required Bearing:	900 kN
Est. Length:	26 m
No. Required:	8



FOOTING PLAN

Bar	A (m)
s64(E)	1.26
s69(E)	1.36
s76(E)	1.45



- Notes:
- All dimensions are in millimeters (mm) except as noted.
 - Reinforcement bars designated (E) shall be epoxy coated.
 - E.F. indicates each face.
 - Work this sheet with sheets RS-47 and RS-49.
 - For Pile Encasement details, see sheet RS-3.
 - For Bar Splicer details, see sheet RS-66.

ILLINOIS DEPARTMENT OF TRANSPORTATION
 F.A.I. ROUTE 80/94 (KINGERY EXPRESSWAY)
 EB & WB INSIDE LANES (MAINLINE) CONSTRUCTION
 I-80/94 OVER RAILROAD AVENUE
 STRUCTURE NO. 016-2792 STA. 6+025.000
 SECTION 1977-121-R
 COOK COUNTY

WEST ABUTMENT
 PLAN, ELEVATION & SECTION - III

NAME	DATE

DATE: 7/18/2005
 DRAWN BY: LS
 CHECKED BY: TCU
TENG
 TENG & ASSOCIATES, INC.
 ENGINEERS/ARCHITECTS/PLANNERS
 CHICAGO, ILLINOIS

BAJZEKJ
 12.3.56 78.9.10.11.12.13.14.15.16.17.18.19.20.21.22.23.24.25.26.27.28.29.30.31.32.33.34.35.36.37.38.39.40.41.42.43.44.45.46.47.48.49.50.51.52.53.54.55.56.57.58.59.60.61.62.63
 ..\AB99R032A.DGN, ..\AB99M552A.DGN, ..\AB99O02A.DGN, ..\AB99M552A.DGN, ..\SLI99R042A.DGN
 7-12-2005, 10:25:57
 F:\DOCUMENT\993750\STRUCT\CON\AB99M552A.DGN