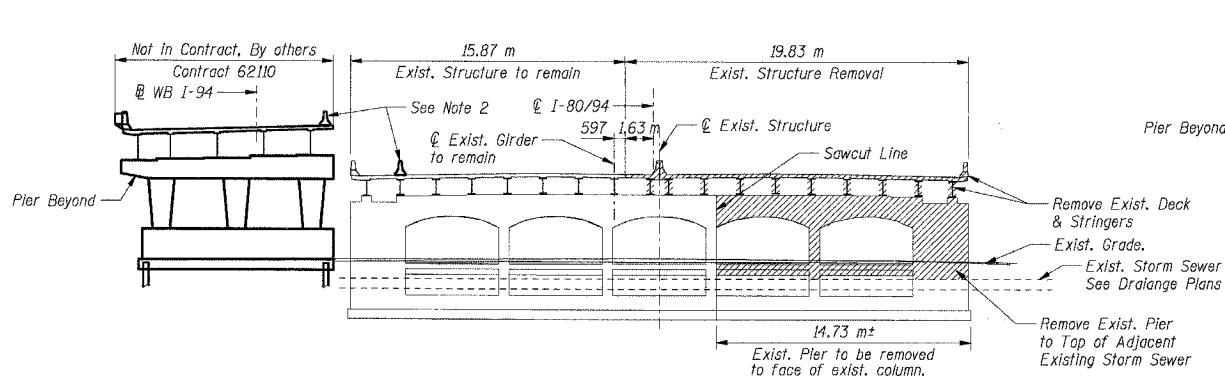
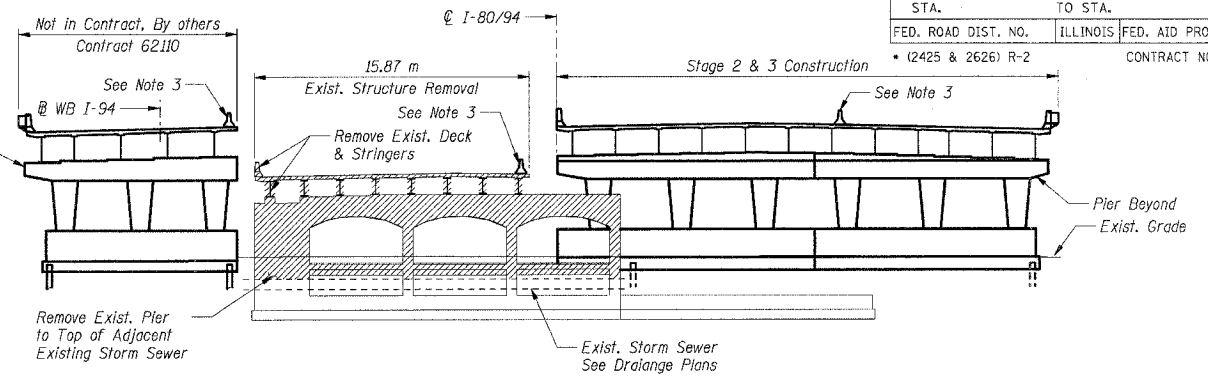


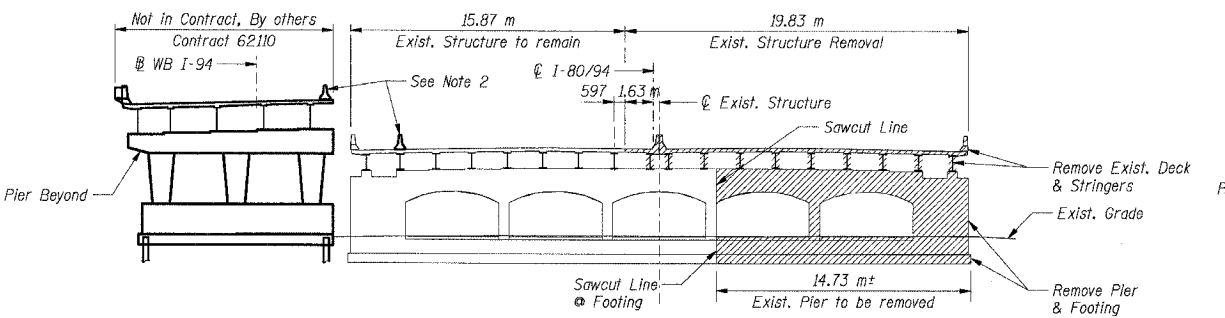
F.A.I. RTE.	SECTION	COUNTY	TOTAL SHEETS	SHEET NO.
80/94	*	COOK	631	448
STA.	TO STA.			
FED. ROAD DIST. NO.	ILLINOIS FED. AID PROJECT			
	(2425 & 2626) R-2		CONTRACT NO. 62111	



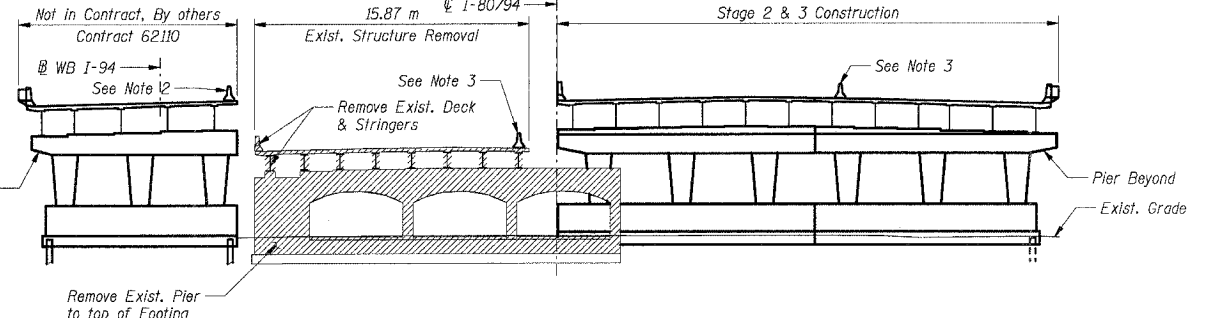
EXISTING PIER 1 ELEVATION - STAGE 2 REMOVAL
(Looking East)



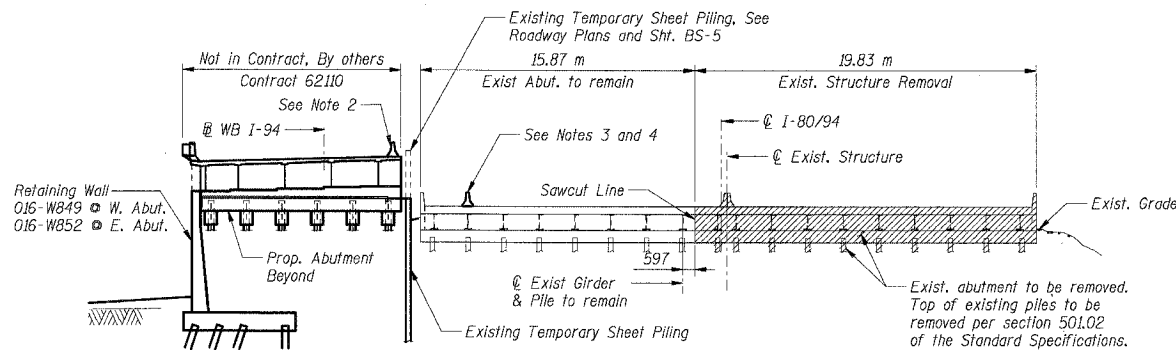
EXISTING PIER 1 ELEVATION - STAGE 4 REMOVAL
(Looking East)



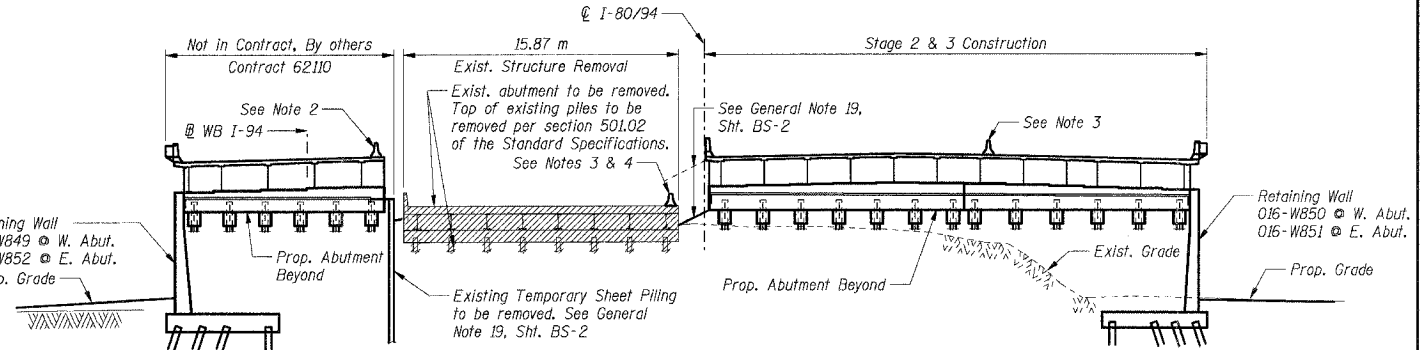
EXISTING PIER 2 ELEVATION - STAGE 2 REMOVAL
(Looking East)



EXISTING PIER 2 ELEVATION - STAGE 4 REMOVAL
(Looking East)



EAST ABUTMENT ELEVATION - STAGE 2 REMOVAL
WEST ABUTMENT SIMILAR
(Looking East)



EAST ABUTMENT ELEVATION - STAGE 4 REMOVAL
WEST ABUTMENT SIMILAR
(Looking East)

LEGEND:

Existing Structure Removal

Notes:

- All dimensions are in millimeters (mm) except as noted.
- Temporary Concrete Barrier installed by others in Previous Contract 62110, to be removed in this Contract. See Roadway Plans for pay items and quantities.
- Temporary Traffic Barrier on Bridge, See Sht BS-57 for installation details. See Roadway Plans for pay items and quantities.
- Temporary Traffic Barrier on Roadway, See Roadway Plans.
- Work this sheet with Sht. BS-5.

SHT. BS-6 OF 60

REVISIONS	
NAME	DATE

ILLINOIS DEPARTMENT OF TRANSPORTATION
F.A.I. ROUTE 80/94 (KINGERY EXPRESSWAY)
EB & WB INSIDE LANES (MAINLINE) CONSTRUCTION
1-80/94 OVER BURNHAM AVENUE
STRUCTURE NO. 016-2791 STA. 6+772.591
SECTION 1977-121-R
COOK COUNTY

EXISTING STRUCTURE REMOVAL ELEVATIONS

DATE: 7/18/2005
DRAWN BY: LG
CHECKED BY: MJK

TENG
TENG & ASSOCIATES, INC.
ENGINEERS/ARCHITECTS/PLANNERS
CHICAGO, ILLINOIS

11-2005, 102626
 123456789101112131415161718192021222324252627282930313233343536373839404142434445464748495051525354555657585960616263
 BAJZEKU
 11-2005, 102626
 123456789101112131415161718192021222324252627282930313233343536373839404142434445464748495051525354555657585960616263