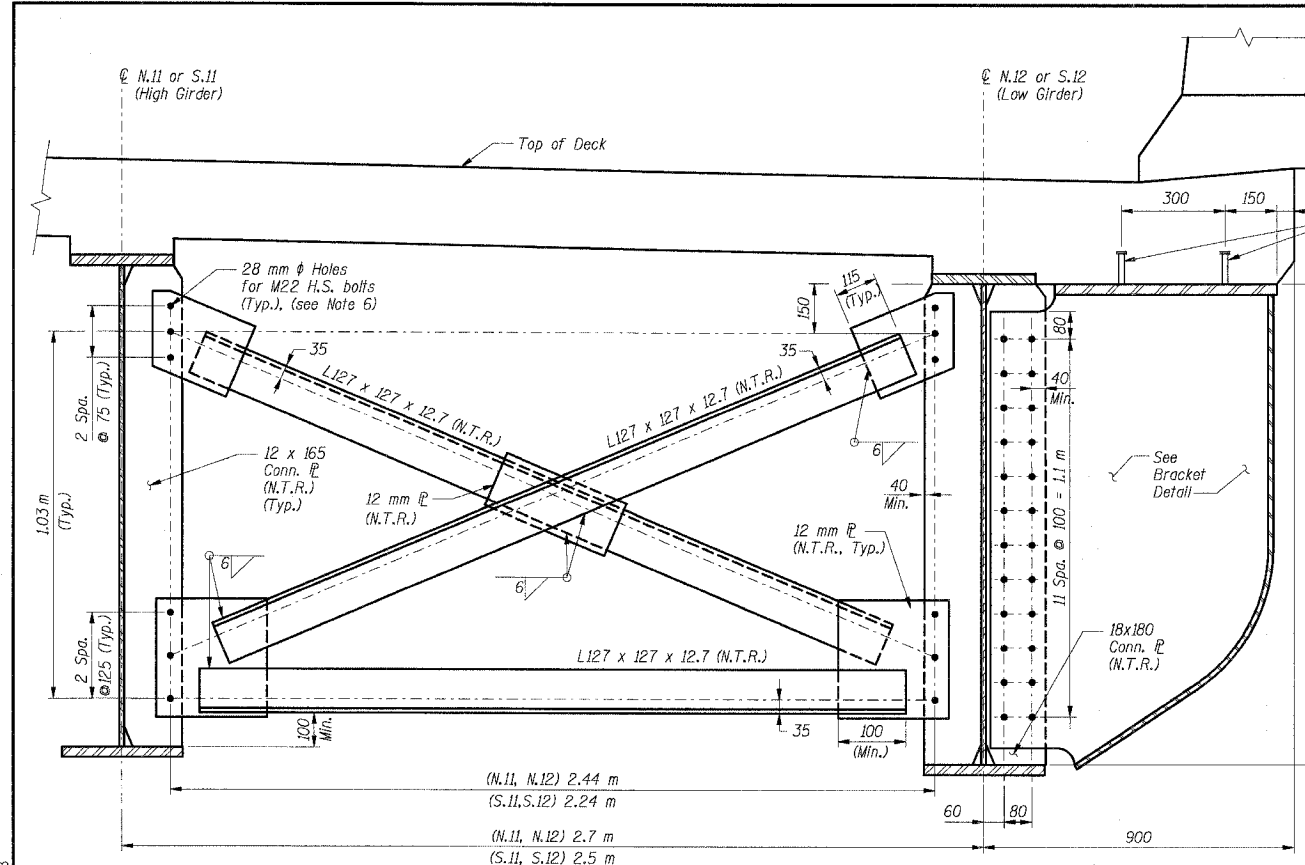
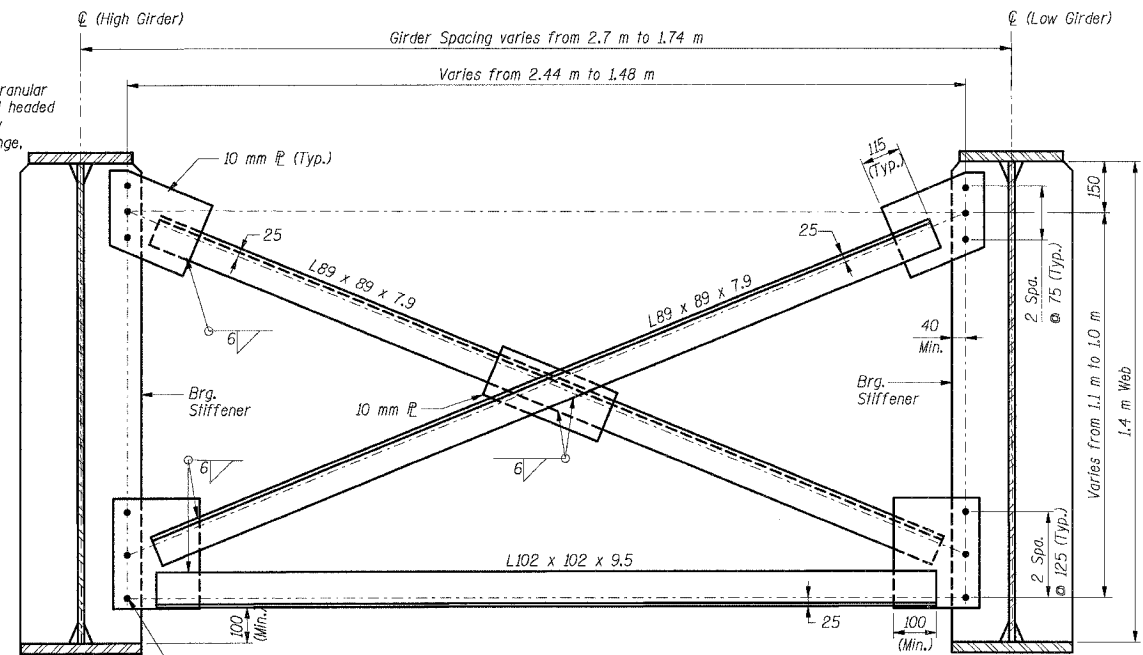


F.A.I. RTE.	SECTION	COUNTY	TOTAL SHEETS	SHEET NO.
80/94	-	COOK	631	474
STA.	TO STA.			
FED. ROAD DIST. NO.	ILLINOIS	FED. AID PROJECT		
• (2425 & 2626) R-2		CONTRACT NO. 62111		



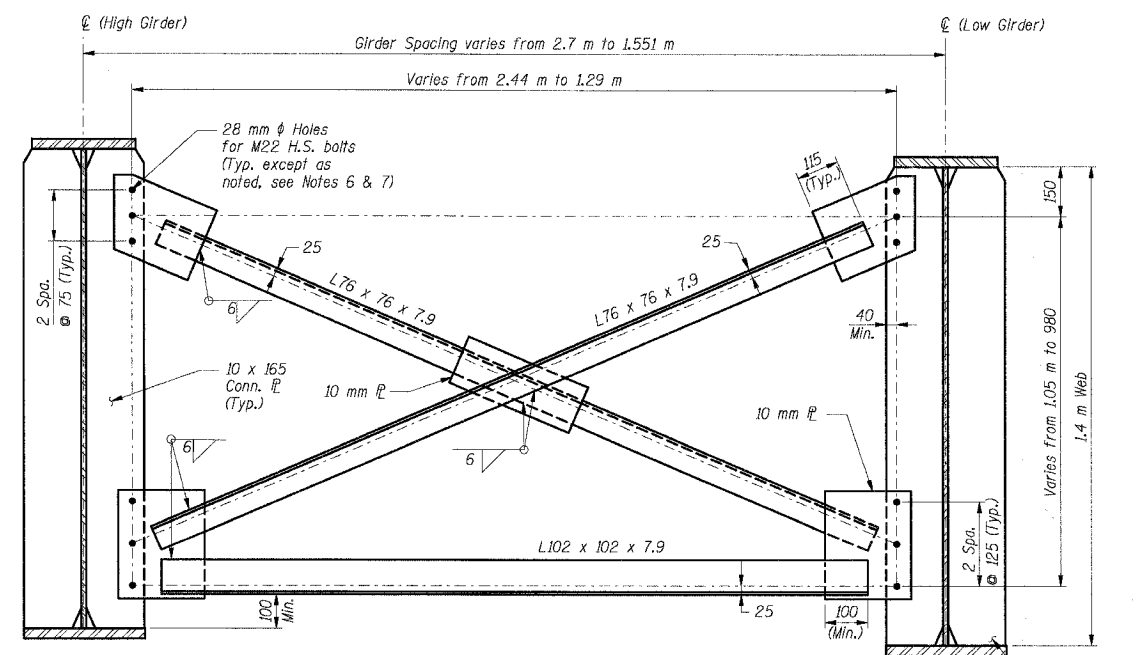
**CROSS FRAME CF1 AND BRACKET**  
 42 Thus  
 (21 erected in Previous Contract 62110)  
 (21 erected in This Contract)



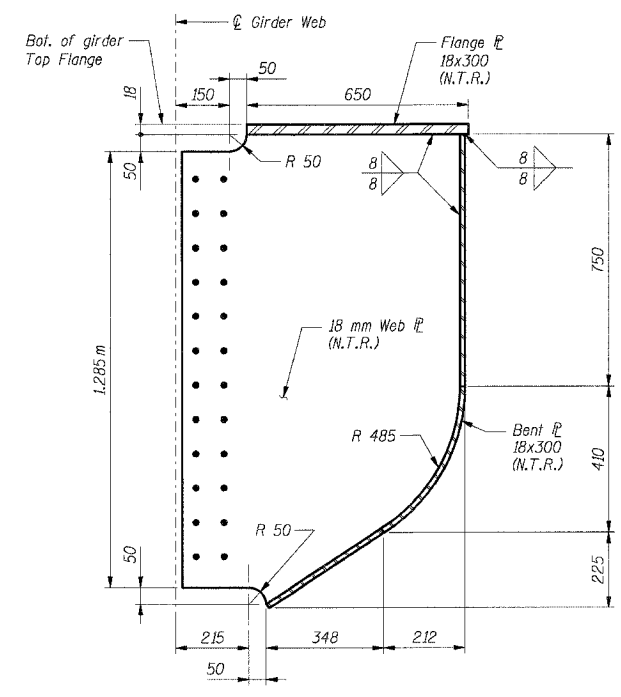
**CROSS FRAME CF3**  
 44 Thus  
 (8 erected in Previous Contract 62110)  
 (36 erected in This Contract)

**BILL OF MATERIAL**

Item	Unit	Total
Stud Shear Connectors	Each	126



**CROSS FRAME CF2**  
 200 Thus  
 (30 erected in Previous Contract 62110)  
 (170 erected in This Contract)



**BRACKET DETAIL**

- Notes:**
- All dimensions are in millimeters (mm) except as noted.
  - N.T.R. denotes steel subject to Supplemental Requirements for Notch Toughness (Zone 2).
  - For Bearing Stiffener and Connection Plate to Girder Weld details, see Sht. BS-33.
  - For Shear Connector details see Sht. BS-33.
  - All steel for cross frame members and gusset plates shall be AASHTO M 270M Grade 250.
  - All bolts for cross frames shall be M22 AASHTO M 164M Bolts with 28 mm oversized holes unless otherwise noted. Two hardened washers shall be provided for all oversized holes.
  - Provide vertical long slotted holes in one of the connected parts of cross frame connections in Span 2, at the stage construction line as follows:  
 north side of N.7 / south side of N.8  
 south side of S.6 / north side of S.7  
 Provide oversized holes in the matching connected part. Provide one hardened washer for the oversized hole, and a 8 mm fillet washer or 8 mm bar with standard holes to fully cover the long slotted holes.
  - At girder bays encompassing deck stage construction lines, install cross frame connection bolts finger tight prior to deck casting. Finish torquing bolts after deck casting.

SHT. BS-32 OF 60

REVISIONS	
NAME	DATE

ILLINOIS DEPARTMENT OF TRANSPORTATION  
 F.A.I. ROUTE 80/94 (KINGERY EXPRESSWAY)  
 EB & WB INSIDE LANES (MAINLINE) CONSTRUCTION  
 I-80/94 OVER BURNHAM AVENUE  
 STRUCTURE NO. 016-2791 STA. 6+772.591  
 SECTION 1977-121-R  
 COOK COUNTY

DATE: 7/18/2005

DRAWN BY: NK  
 CHECKED BY: TCU

**TENG**  
 TENG & ASSOCIATES, INC.  
 ENGINEERS/ARCHITECTS/PLANNERS  
 CHICAGO, ILLINOIS

**STEEL DETAILS - I**

\S19902A.DGN, ...AB99002A.DGN  
 7-12-2005, 10:26:45  
 I:\DOCUMENT\9317501\STRUCT\ADON\ST1676032A.DGN  
 2 3 4 5 6 7 8 9 10 11 12 13 14 15 16 17 18 19 20 21 22 23 24 25 26 27 28 29 30 31 32 33 34 35 36 37 38 39 40 41 42 43 44 45 46 47 48 49 50 51 52 53 54 55 56 57 58 59 60 61 62 63