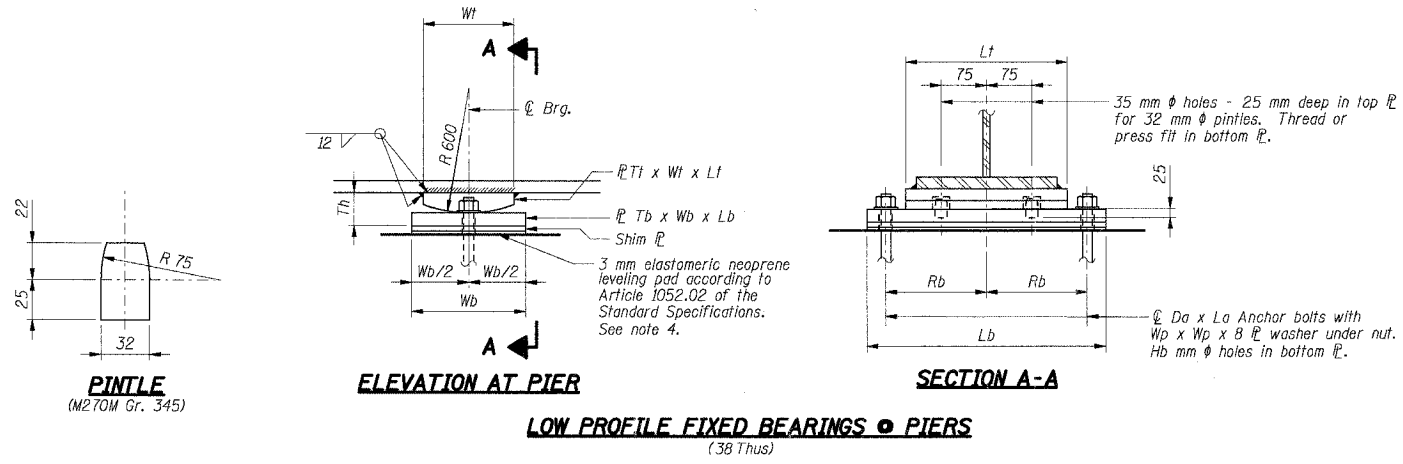


F.A.I. RTE.	SECTION	COUNTY	TOTAL SHEETS	SHEET NO.
80/94	-	COOK	631	476
STA.	TO STA.			
FED. ROAD DIST. NO.	ILLINOIS	FED. AID PROJECT		
• (2425 & 2626) R-2			CONTRACT NO. 62111	



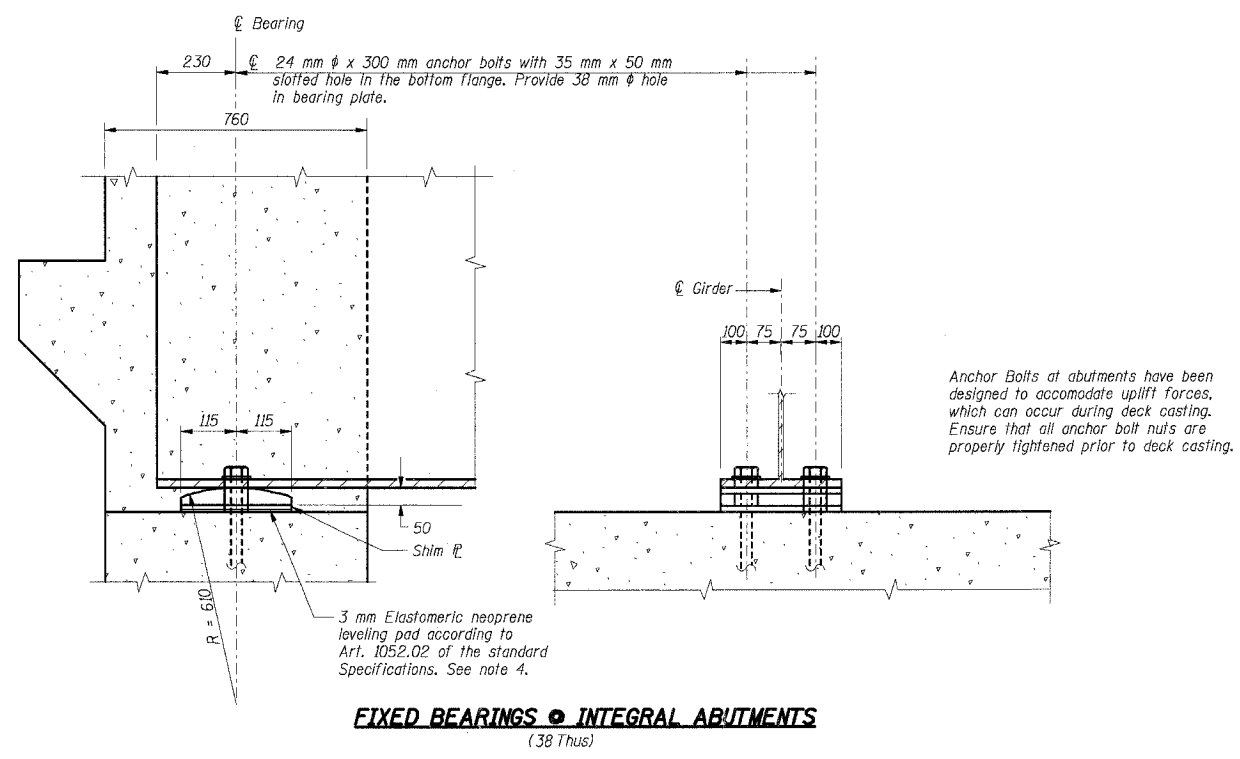
LOW PROFILE FIXED BEARINGS • PIERS
(38 Thus)

BEARING SEAT ELEVATIONS
(For Information Only)

Girder	W. Abut.	Pier 1	Pier 2	E. Abut.
N.12	187.555	187.485	187.430	187.455
N.11	187.645	187.595	187.540	187.540
N.10	187.710	187.660	187.605	187.605
N.9	187.815	187.765	187.710	187.710
N.8	187.870	187.820	187.760	187.745
N.7	187.930	187.880	187.820	187.805
N.6	187.980	187.930	187.870	187.855
N.5	188.020	187.970	187.910	187.895
N.4	187.995	187.945	187.885	187.870
N.3	187.945	187.895	187.835	187.820
N.2	187.890	187.840	187.780	187.765
N.1	187.830	187.780	187.720	187.705
S.1	187.830	187.780	187.720	187.705
S.2	187.890	187.840	187.780	187.765
S.3	187.940	187.890	187.830	187.815
S.4	187.980	187.930	187.870	187.855
S.5	188.020	187.970	187.910	187.895
S.6	187.995	187.945	187.885	187.870
S.7	187.955	187.905	187.845	187.830
S.8	187.905	187.855	187.795	187.780
S.9	187.840	187.790	187.730	187.715
S.10	187.745	187.695	187.650	187.645
S.11	187.685	187.635	187.585	187.580
S.12	187.600	187.530	187.480	187.500

Bearing Location	Girders	No. Req'd.	Th mm	Top Plate			Bottom Plate			Anchor Bolts				
				Wf mm	Lt mm	Tf mm	Wb mm	Lb mm	Tb mm	Da mm	La mm	Rb mm	Hb mm	Wp mm
* Pier 1 & Pier 2	N.12	2	115	350	400	50	380	640	65	M30	380	260	46	65
* Pier 1 & Pier 2	N.8 thru N.11	8	100	300	380	50	300	570	50	M24	300	240	40	60
* Pier 1 & Pier 2	N.1 thru N.7	14	100	300	380	50	300	570	50	M24	300	240	40	60
* Pier 1 & Pier 2	S.1 thru S.11	22	100	300	380	50	300	570	50	M24	300	240	40	60
* Pier 1 & Pier 2	S.12	2	115	350	400	50	380	640	65	M30	380	260	46	65

* For Information Only. Erected in previous Contract 62110.



FIXED BEARINGS • INTEGRAL ABUTMENTS
(38 Thus)

Notes:

- All dimensions are in millimeters (mm) except as noted.
- Anchor bolts shall be furnished and installed under the pay item Furnishing and Erecting Structural Steel. See Sht. BS-35 for details.
- All steel bearing plates shall conform to the requirements of AASHTO M 270M Grade 345, unless otherwise noted.
- Fixed bearing assemblies including pintles, shim plates, adjusting shims, and elastomeric neoprene leveling pads will be furnished by the Fabrication Contractor and shall be installed under the pay item Erecting Structural Steel.
- Adjusting shim plates shall be placed as required during erection, see General Notes on Sht. BS-2.

SHT. BS-34 OF 60

REVISIONS	
NAME	DATE

ILLINOIS DEPARTMENT OF TRANSPORTATION
F.A.I. ROUTE 80/94 (KINGERY EXPRESSWAY)
EB & WB INSIDE LANES (MAINLINE) CONSTRUCTION
I-80/94 OVER BURNHAM AVENUE
STRUCTURE NO. 016-2791 STA. 6+772.591
SECTION 1977-121-R
COOK COUNTY

BEARING DETAILS

DATE: 7/18/2005

DRAWN BY: NK
CHECKED BY: TCU

TENG
TENG & ASSOCIATES, INC.
ENGINEERS/ARCHITECTS/PLANNERS
CHICAGO, ILLINOIS

\NBS99012A.DGN, ... \NBS99012A.DGN
 7-12-2005, 10:26:47
 T:\DOCUMENT\1937\501\STRUCT\UDN\BR7602A.DGN
 1 2 3 4 5 6 7 8 9 10 11 12 13 14 15 16 17 18 19 20 21 22 23 24 25 26 27 28 29 30 31 32 33 34 35 36 37 38 39 40 41 42 43 44 45 46 47 48 49 50 51 52 53 54 55 56 57 58 59 60 61 62 63