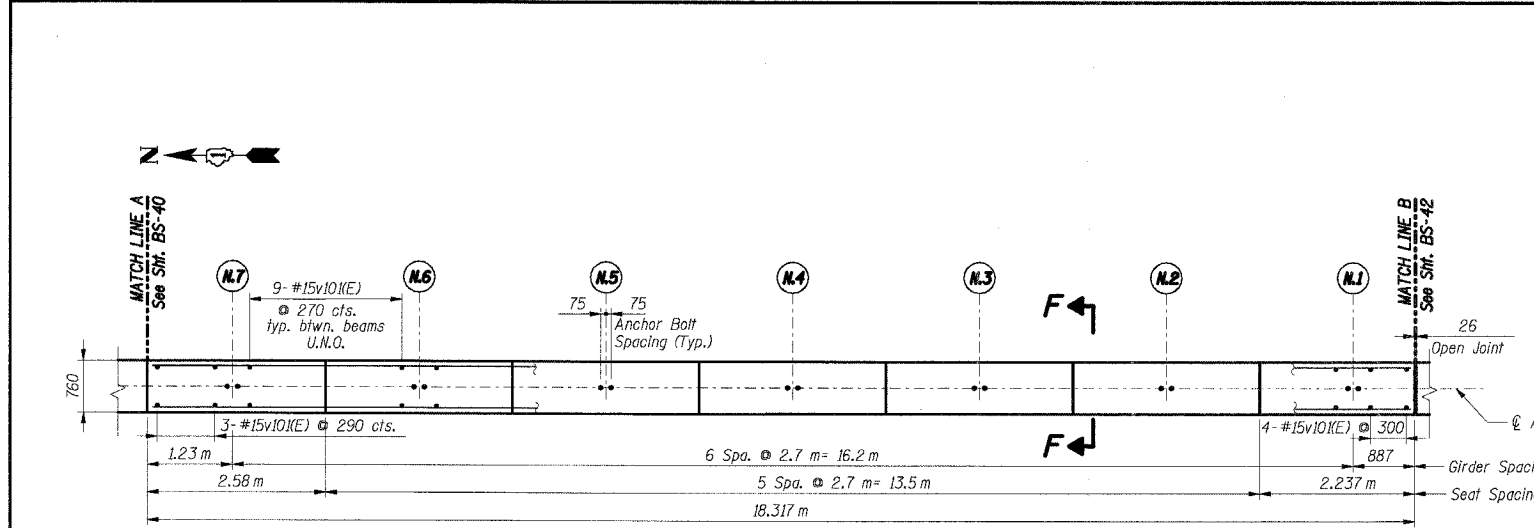
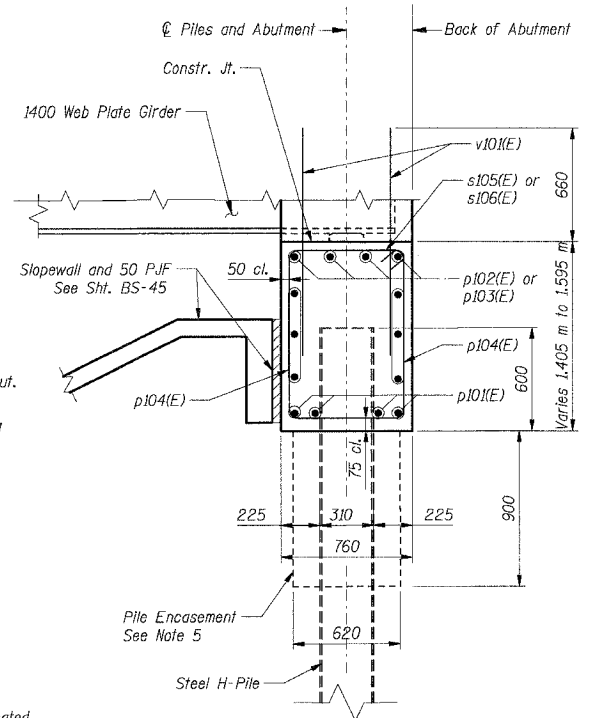


F.A.I. RTE.	SECTION	COUNTY	TOTAL SHEETS	SHEET NO.
80/94		COOK	631	483
STA.	TO STA.			
FED. ROAD DIST. NO.	ILLINOIS	FED. AID PROJECT		
12425 & 2626 R-2		CONTRACT NO. 62111		



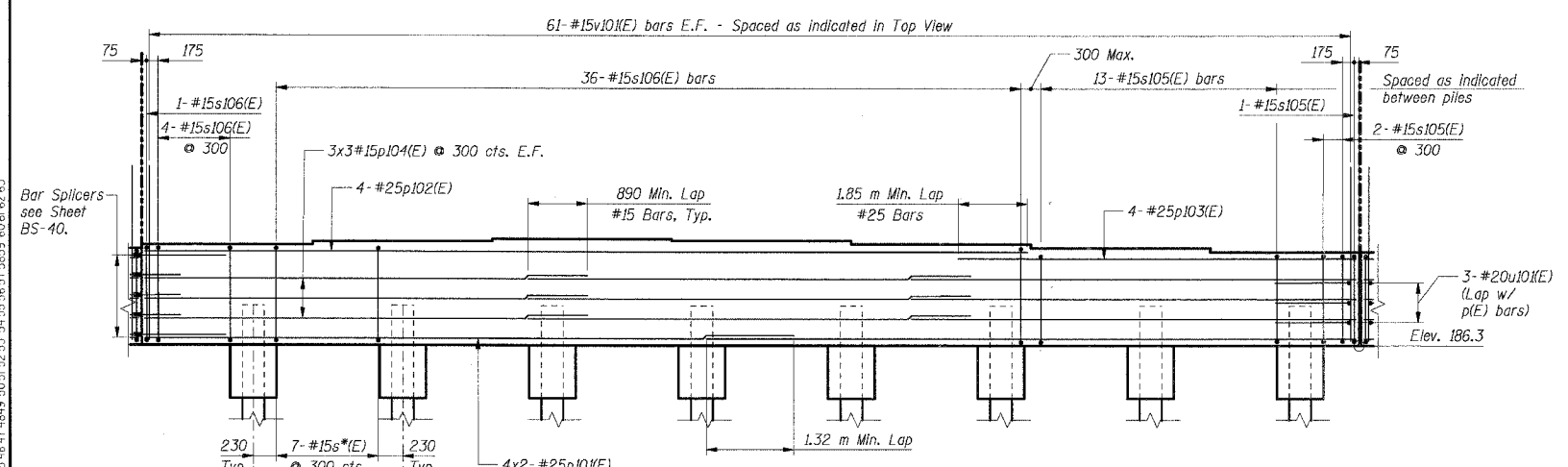
TOP VIEW



SECTION F-F

BAR LIST

Bar	No.	Size	Length (m)	Shape
p101(E)	8	#25	9.77	—
p102(E)	4	#25	13.28	—
p103(E)	4	#25	6.79	—
p104(E)	18	#15	6.67	—
s105(E)	16	#15	4.14	□
s106(E)	41	#15	4.34	□
v101(E)	3	#20	2.85	┌
v101(E)	122	#15	1.32	—



ELEVATION (Looking East)

BEARING SEAT ELEVATIONS

Girder	East Abutment	Steps
N.7	187.805	50
N.6	187.855	40
N.5	187.895	25
N.4	187.870	50
N.3	187.820	55
N.2	187.765	60
N.1	187.705	60

BILL OF MATERIAL

Item	Unit	Total
Concrete Structures	Cu m	21.2
Reinforcement Bars, Epoxy Coated	kg	1,470
Structure Excavation	Cu m	34

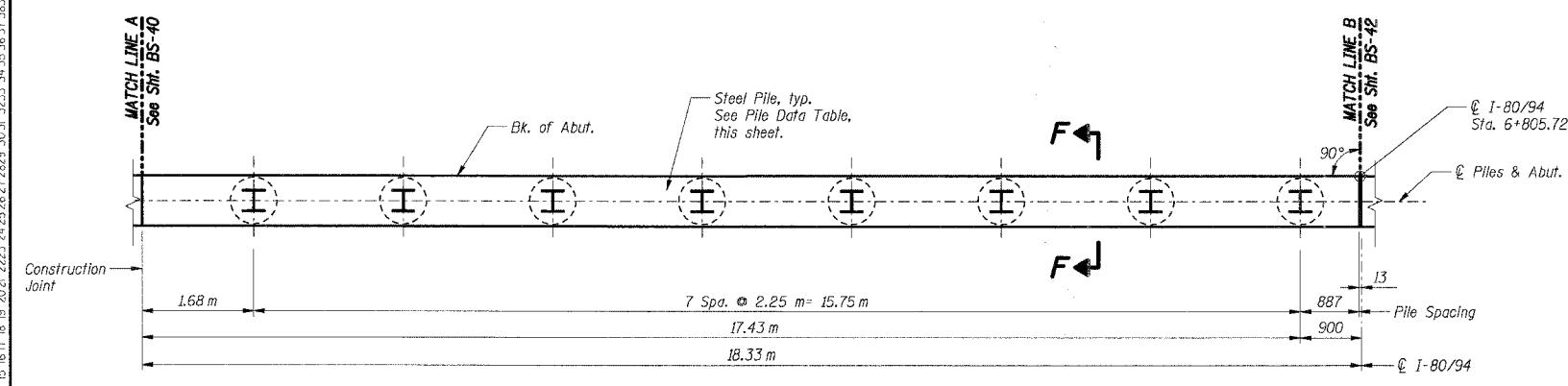
PILE DATA

Type: HP 310x79
 Design Capacity: 600 kN
 Required Bearing: 900 kN
 Est. Length: 29 m
 No. Required: 8

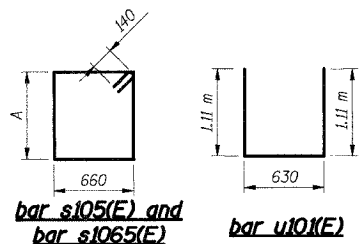


KEY PLAN

Bar	A (m)
s105(E)	1.27
s106(E)	1.37



FOOTING PLAN



- Notes:**
- All dimensions are in millimeters (mm) except as noted.
 - Reinforcement bars designated (E) shall be epoxy coated.
 - E.F. Indicates each face.
 - Work this sheet with sheets BS-40 and BS-42.
 - For Bar Splicer details, see sheet BS-56.
 - For Pile Encasement details, see sheet BS-3.
 - Bars indicated thus 4x2-#15 etc. indicates 4 lines of bars with 2 lengths per line.

ILLINOIS DEPARTMENT OF TRANSPORTATION
 F.A.I. ROUTE 80/94 (KINGERY EXPRESSWAY)
 EB & WB INSIDE LANES (MAINLINE) CONSTRUCTION
 I-80/94 OVER BURNHAM AVENUE
 STRUCTURE NO. 016-2791 STA. 6+772.591
 SECTION 1977-121-R
 COOK COUNTY

SHT. BS-41 OF 60

REVISIONS	
NAME	DATE

EAST ABUTMENT PLAN, ELEVATION & SECTION - II

DATE: 7/18/2005
 DRAWN BY: LS
 CHECKED BY: TCU

TENG
 TENG & ASSOCIATES, INC.
 ENGINEERS/ARCHITECTS/PLANNERS
 CHICAGO, ILLINOIS

BAJZEKKI
 01/26/05 08:46:55
 13099002A.DGN, 13099002A.DGN, 13099002A.DGN, 13099002A.DGN, 13099002A.DGN
 7-2-2005, 08:26:55
 13099002A.DGN, 13099002A.DGN, 13099002A.DGN, 13099002A.DGN, 13099002A.DGN
 13099002A.DGN, 13099002A.DGN, 13099002A.DGN, 13099002A.DGN, 13099002A.DGN