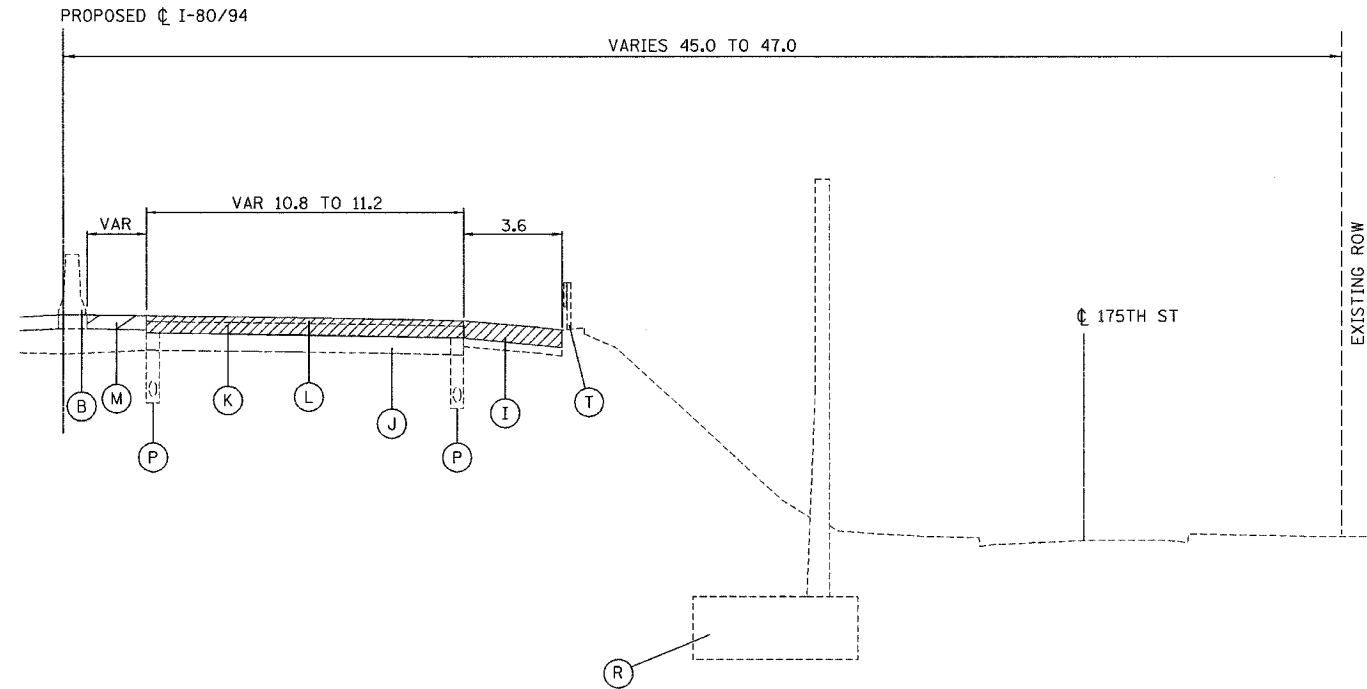


ALL DIMENSIONS IN METERS EXCEPT PAY ITEMS AND UNLESS NOTED OTHERWISE

F.A.I. RTE.	SECTION	COUNTY	TOTAL SHEETS	SHEET NO.
80/94	2626.2-R-2	COOK/LAKE	1207	20
STA.		TO STA.		
FED. ROAD DIST. NO.	ILLINOIS	FED. AID PROJECT		
CONTRACT NO. 62114	INDOT DES. NO. 0100987			



ILLINOIS  
EXISTING TYPICAL SECTION - I-80/94  
STA. 6+814 TO STA. 7+125  
GUARDRAIL TO STA. 7+068

EXISTING LEGEND (ILLINOIS & INDIANA)

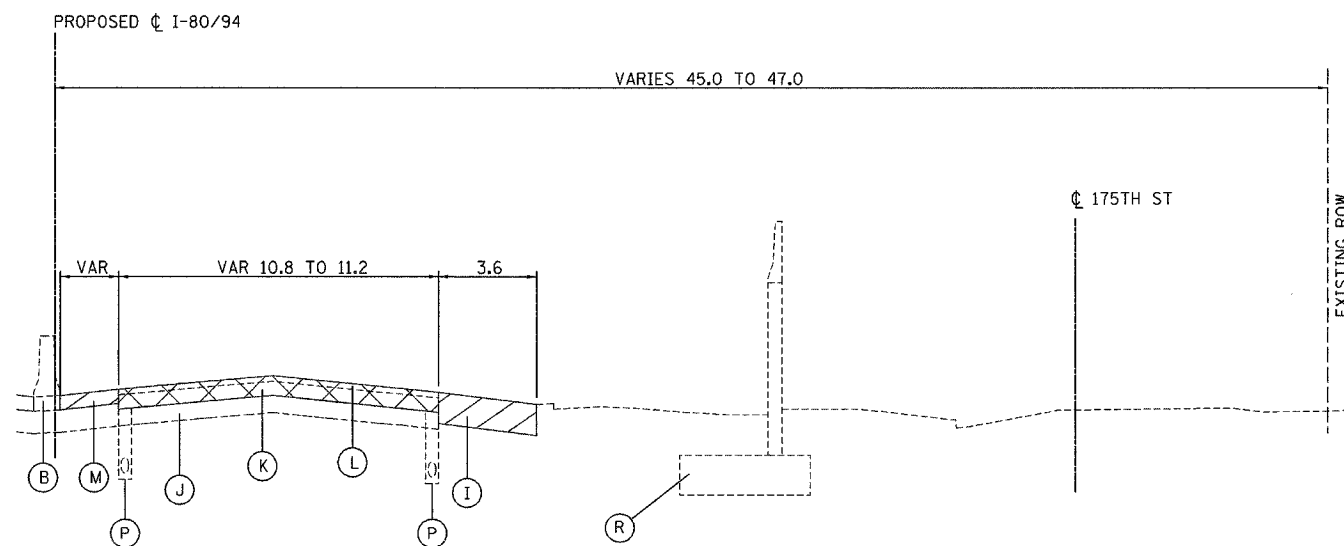
- (A) STEEL SHEET PILING REMOVAL
- (B) CONCRETE BARRIER REMOVAL
- (C) PORTLAND CEMENT CONCRETE SHOULDERS - 360MM
- (D) CONTINUOUSLY REINFORCED PORTLAND CEMENT CONCRETE PAVEMENT 360MM
- (E) BITUMINOUS PAVEMENT 360MM, TEMPORARY
- (F) SUB-BASE GRANULAR MATERIAL
- (G) STABILIZED SUB-BASE 150MM
- (H) CONCRETE BARRIER
- (I) BITUMINOUS SHOULDERS (SEE TABLE)
- (J) AGGREGATE SUBGRADE (300MM & VAR)
- (K) PORTLAND CEMENT CONCRETE PAVEMENT (275MM & VAR)
- (L) BITUMINOUS OVERLAY (115MM & VAR)
- (M) BITUMINOUS SHOULDER PAVEMENT (250MM & VAR)
- (N) TEMPORARY CONCRETE BARRIER
- (O) CONTROLLED LOW STRENGTH MATERIAL
- (P) PAVEMENT UNDERDRAIN
- (R) RETAINING WALL BUILT BY OTHERS
- (S) REINFORCED CONCRETE SHOULDERS
- (T) SINGLE PLATE BEAM GUARDRAIL
- (U) NOISE ABATEMENT WALL GROUND MOUNT
- (V) NOISE ABATEMENT WALL STRUCTURE MOUNT

- PAVEMENT REMOVAL
- PAVED SHOULDER REMOVAL
- CONCRETE REMOVAL
- PAVEMENT BREAKING

SHOULDER THICKNESS TABLE

TYPE	OFFSET	STATIONS	ESTIMATED THICKNESS
BITUMINOUS	RIGHT	6+814.72 TO 8+300.00	400 mm
BITUMINOUS	RIGHT	8+300.00 TO 9+045.00	175 mm
CONCRETE	RIGHT	9+045.00 TO 9+275.00	300 mm

NOTE: THE TABLE PRESENTS THICKNESS OF ORIGINAL I-80/94 SHOULDERS REMAINING TO BE REMOVED IN PHASE III (2006). OTHER SHOULDERS REMOVED AND REPLACED WITH TEMPORARY PAVEMENT IN PREVIOUS PHASES ARE LABEL (E).



ILLINOIS  
EXISTING TYPICAL SECTION - I-80/94  
STA. 7+125 TO STA. 7+600  
TEMPORARY CONCRETE BARRIER FROM STA. 7+068

REVISIONS	
NAME	DATE

ILLINOIS DEPARTMENT OF TRANSPORTATION  
I-80/94/US 6  
KINGERY-BORMAN EXPRESSWAY  
BURNHAM ROAD TO US 41  
EXISTING TYPICAL SECTIONS  
STA. 6+814 to STA. 7+600  
EASTBOUND I-80/94/US 6

SCALE NTS  
DATE 07/05

DRAWN BY ACE/CAD  
CHECKED BY TAE

**AMERICAN**  
CONSULTING ENGINEERS