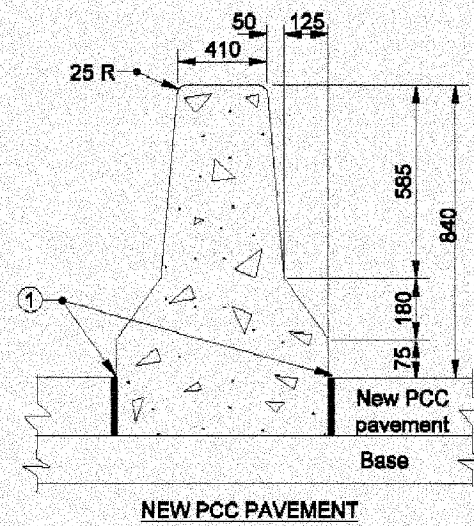
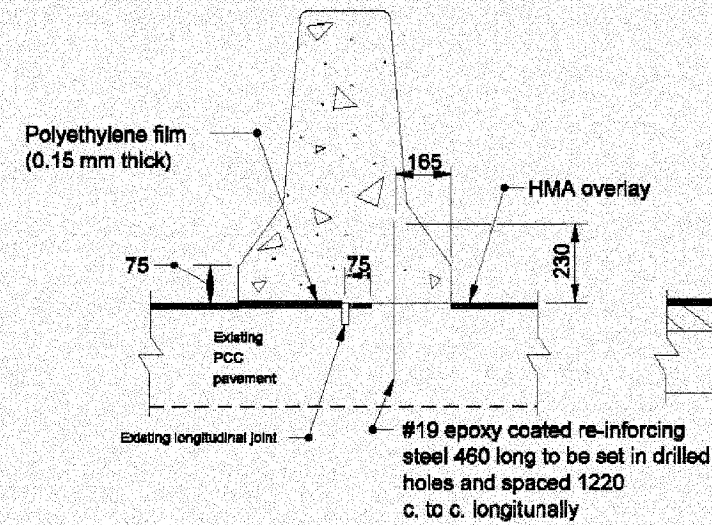


F.A.I. RTE.	SECTION	COUNTY	TOTAL SHEETS	SHEET NO.
80/94	2626.2-R-2	COOK/LAKE	1207	1240
STA.	TO STA.			
FED. ROAD DIST. NO.	ILLINOIS	FED. AID PROJECT		
CONTRACT NO. 62114		INDOT DES. NO. 0100987		

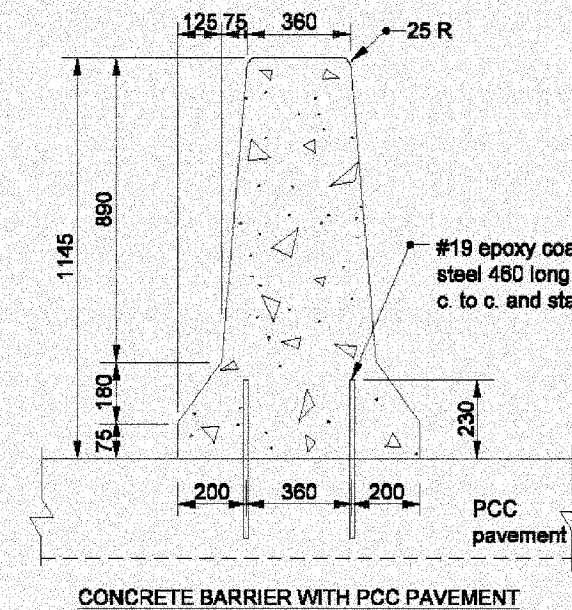


NEW PCC PAVEMENT



NEW HMA OVERLAY OVER EXISTING PCC PAVEMENT

840 HEIGHT CONCRETE BARRIER WALL



CONCRETE BARRIER WITH PCC PAVEMENT

1145 HEIGHT CONCRETE BARRIER WALL

NOTES:

- ① 13 Preformed Joint Filler.

All dimensions are in mm unless otherwise specified

INDIANA DEPARTMENT OF TRANSPORTATION

CONCRETE BARRIER DETAILS

602-R-494d

4-21-05