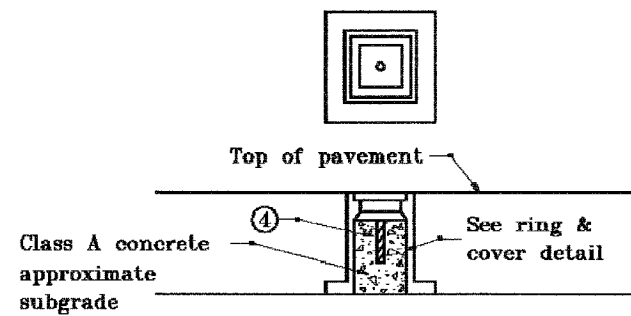
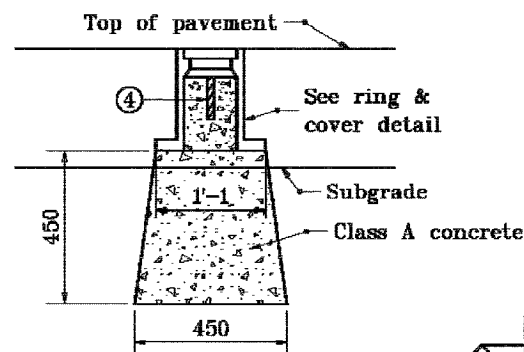


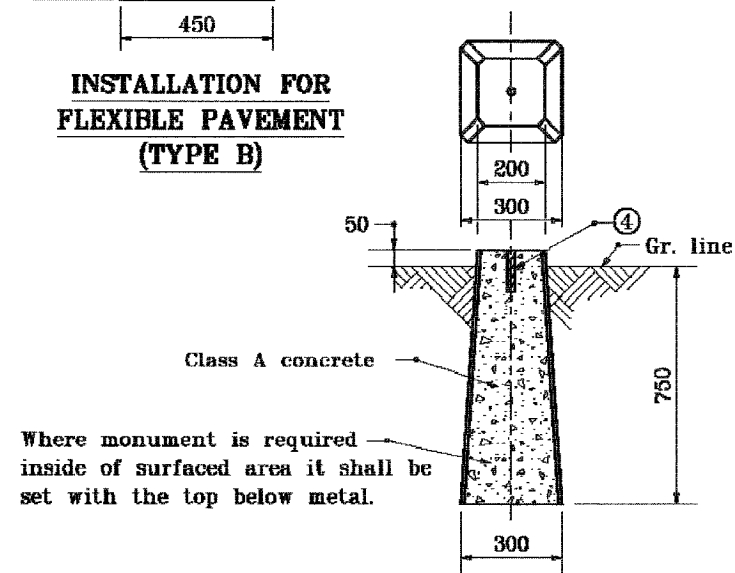
F.A.I. RTE.	SECTION	COUNTY	TOTAL SHEETS	SHEET NO.
80/94	2626.2-R-2	COOK/LAKE	1207	129
STA.	TO STA.			
FED. ROAD DIST. NO.	ILLINOIS	FED. AID PROJECT		
CONTRACT NO. 62114	INDOT DES. NO.	0100987		



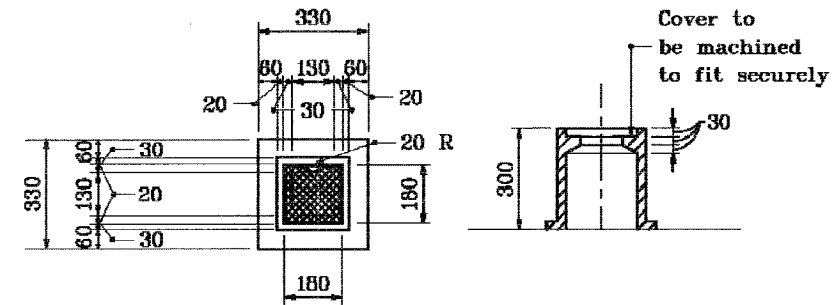
INSTALLATION FOR VITRIFIED BRICK OR BITUMINOUS SURFACE ON CONCRETE BASE (TYPE A)



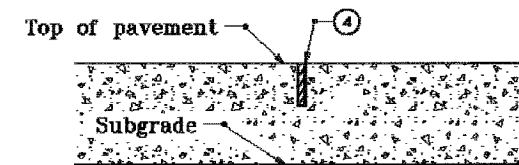
INSTALLATION FOR FLEXIBLE PAVEMENT (TYPE B)



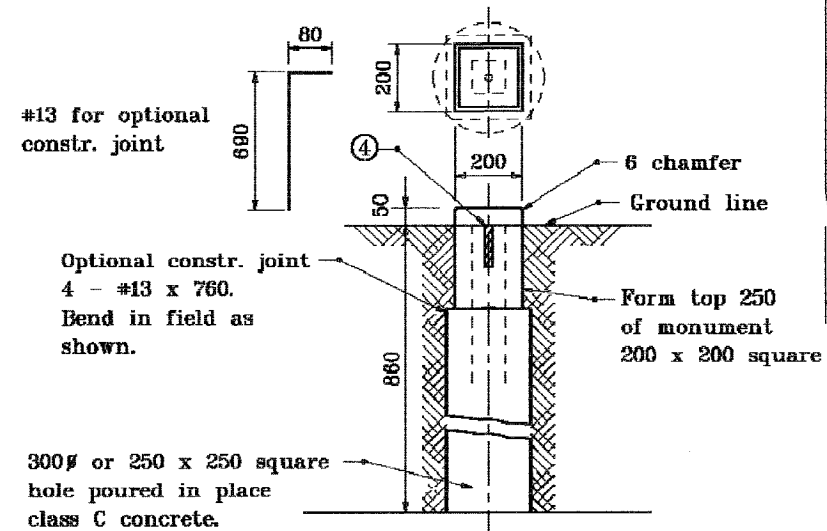
INSTALLATION OUTSIDE OF PAVEMENT (TYPE C)



SURVEY LINE MONUMENT RING & COVER



INSTALLATION FOR CONCRETE PAVEMENT (TYPE D)

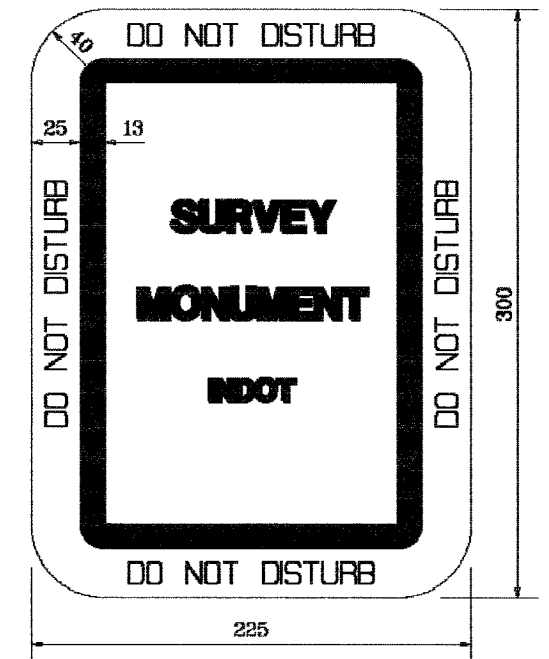


OPTIONAL INSTALLATION FOR TYPE C MONUMENT

Source Sheet: DET 3A
Source Sheet: MA

GENERAL NOTES

1. Sign shall be white background with black copy.
2. One steel type A or 100 x 100 wood post required.
3. Letter height shall be as follows:
Border: 13 series D
Line 1: 25 series B
Line 2: 25 series B
Line 3: 25 series B
4. 25# x 125 steel rod



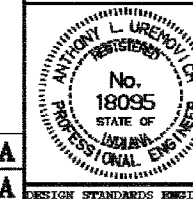
All dimensions are in mm unless otherwise specified.

INDIANA DEPARTMENT OF TRANSPORTATION

SURVEY LINE MONUMENTS

SEPTEMBER 1997

STANDARD DRAWING NO. 615-SLMN-01



/s/ Anthony L. Uremovich 9-01-97
DESIGN STANDARDS ENGINEER DATE

/s/ Donald W. Lucas 9-01-97
CHIEF HIGHWAY ENGINEER DATE