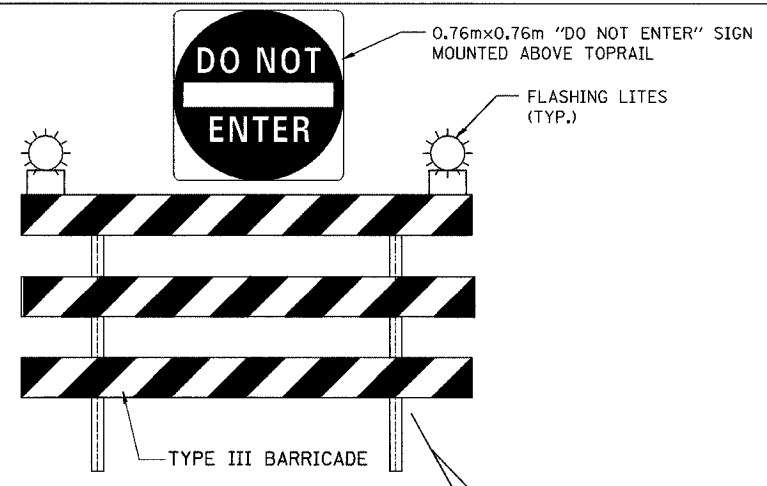
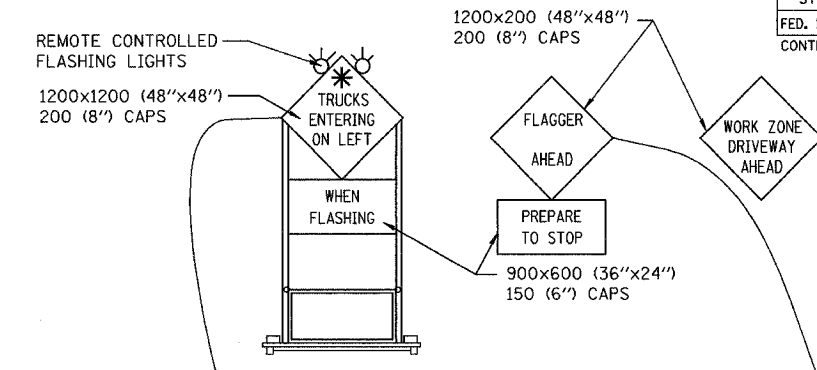


F.A.I. RTE.	SECTION	COUNTY	TOTAL SHEETS	SHEET NO.
80/94	2626.2-R-2	COOK/LAKE	1207	222
STA.	TO STA.			
FED. ROAD DIST. NO.	ILLINOIS	FED. AID PROJECT		
CONTRACT NO. 62114	INDOT DES. NO. 0100987			

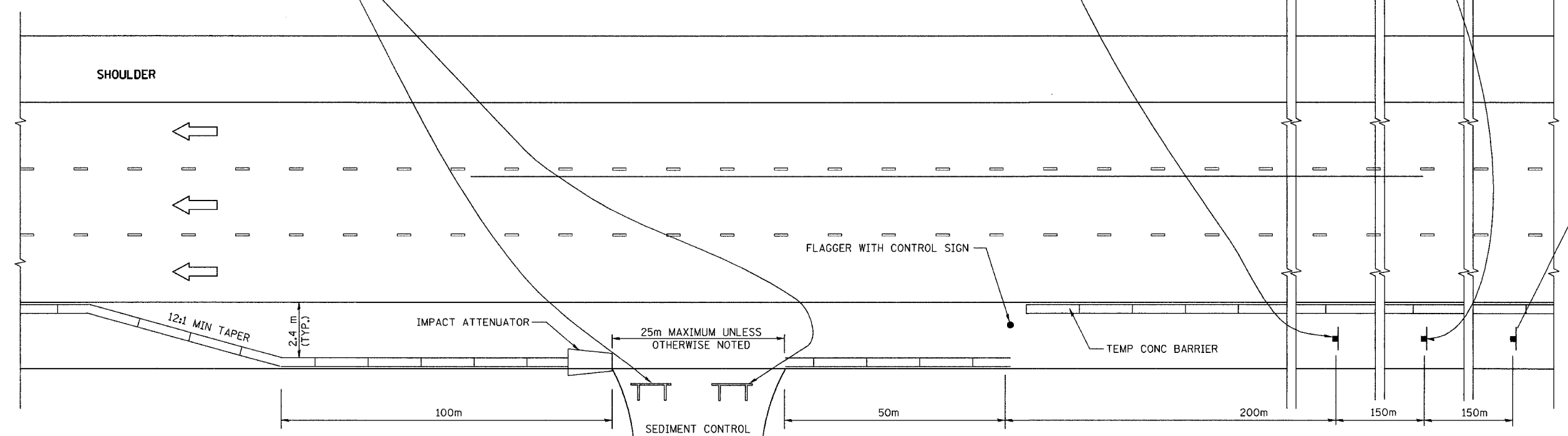


* SIGNS ARE TO READ "TRUCK ENTERING ON LEFT/RIGHT" "TRUCK LEAVING LEFT/RIGHT" AS APPLICABLE.

ALL DIMENSIONS IN METERS EXCEPT PAY ITEMS AND UNLESS NOTED OTHERWISE



WARNING SIGNS SHALL HAVE BLACK LEGEND ON ORANGE BACKGROUND



NOTES

1. THE "FLAGGER AHEAD" AND "TRUCKS ENTERING ON LEFT/RIGHT" SIGNS SHALL BE MOVED OR TURNED AWAY FROM TRAFFIC WHEN THE FLAGGING OPERATION CEASES.
2. WORK ZONE DRIVEWAYS SHALL BE LOCATED AS PER TABLE A OR AT LOCATIONS AS REQUESTED BY THE CONTRACTOR AND APPROVED BY THE ENGINEER.
3. THE FLASHING LIGHT ON THE "TRUCKS ENTERING ON LEFT" SIGN SHALL BE OPERATED BY THE FLAGGER REMOTELY. THE LIGHTS SHALL BE FLASHING ONLY WHEN A VEHICLE IS ENTERING THE EXPRESSWAY.
4. EXITING THE WORK ZONE AT ANY PLACE OTHER THAN AT A WORK ZONE DRIVEWAY WILL BE PROHIBITED.
5. ALL VEHICLES SHALL ENTER THE WORK ZONE AT THESE OPENINGS. USING THEIR TURN SIGNALS TO WARN MOTORISTS.
6. INSTALL A MINIMUM OF 2 TYPE III BARRICADES WITH FLASHING LIGHTS AND 1 DO NOT ENTER SIGN AT ALL TIMES WHEN NO WORK IS PERFORMED AT THE SITE. THE COSTS OF INSTALLING, MAINTAINING AND REMOVING ALL BARRICADES AND SIGNS SHOWN ON THIS SHEET SHALL BE INCLUDED IN THE UNIT BID PRICE FOR "TRAFFIC CONTROL AND PROTECTION (EXPRESSWAYS)"

MAINTENANCE OF TRAFFIC LEGEND AND SYMBOLS

- FLAGGER WITH CONTROL SIGN
- ← DIRECTION OF TRAFFIC
- SIGN ON SUPPORT

**TABLE A
WORK ZONE DRIVEWAY LOCATIONS**

DIRECTION OF TRAFFIC	STATION	STAGES	IMPACT ATTENUATOR, TEMP (NON-REDIRECTIVE)	IMPACT ATTENUATOR, RELOCATE (NON-REDIRECTIVE)
EB	7+050 RT	1, 2A	X	
EB	7+050 LT	2B		X
EB	7+750 RT	1	X	
EB	8+650 RT	1	X	
EB	8+350 LT	2A	X	
WB	9+100 LT	2A	X	
WB	8+650 LT	2A		X
WB	7+750 LT	2A		X
WB	7+050 RT	3		X
WB	7+750 RT	3		X
WB	8+375 RT	3		X
WB	8+900 RT	3		X

REVISIONS	
NAME	DATE

ILLINOIS DEPARTMENT OF TRANSPORTATION
1-80/94/US 6
KINGERY-BORMAN EXPRESSWAY
BURNHAM ROAD TO US 41
**TRAFFIC CONTROL FOR
STABILIZED CONSTRUCTION
ENTRANCE/EXIT**

SCALE NTS
DATE 07/05

DRAWN BY ACE/CAD
CHECKED BY TAE

AMERICAN
CONSULTING ENGINEERS