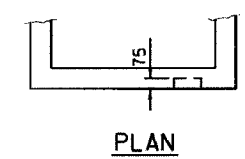
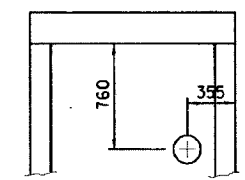


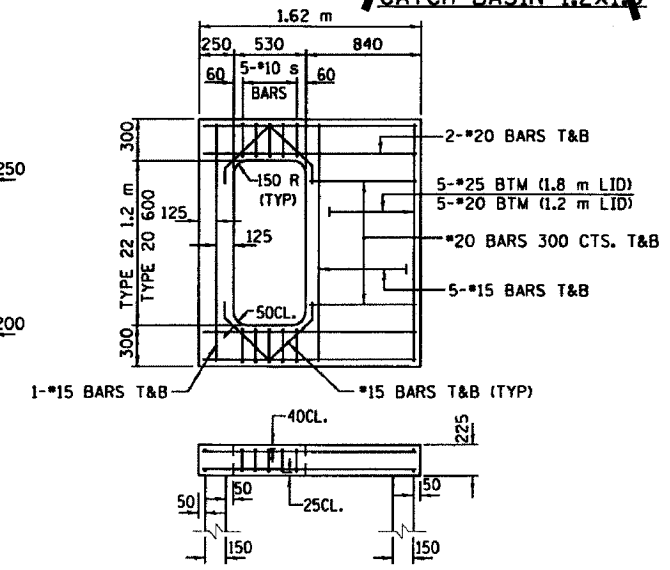
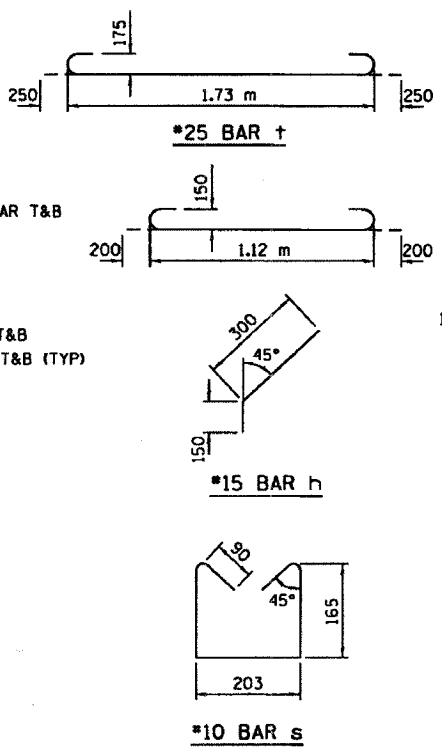
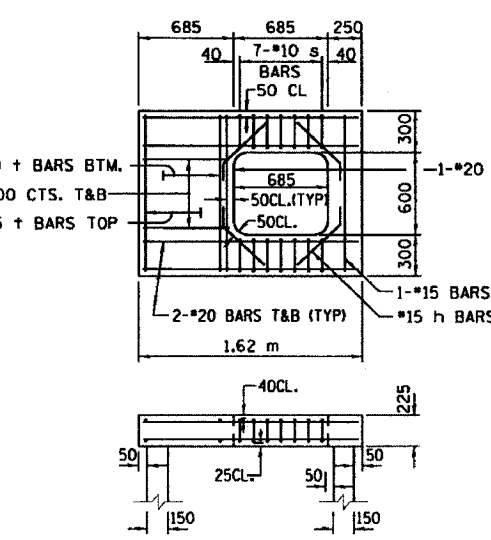
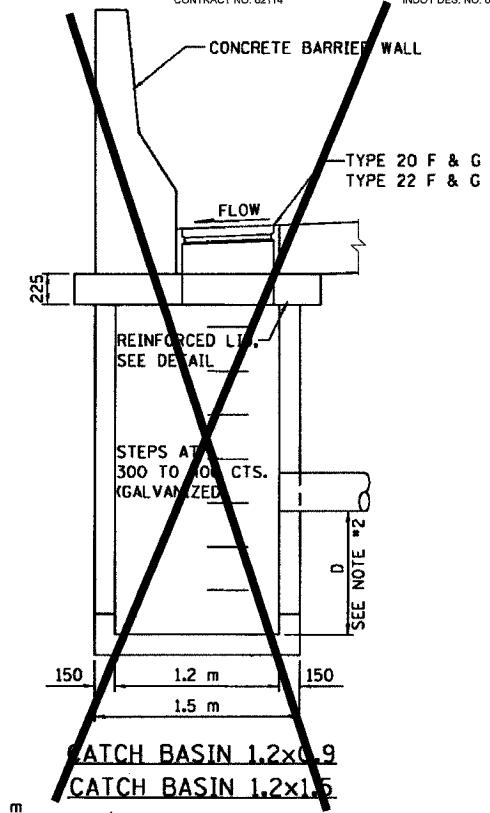
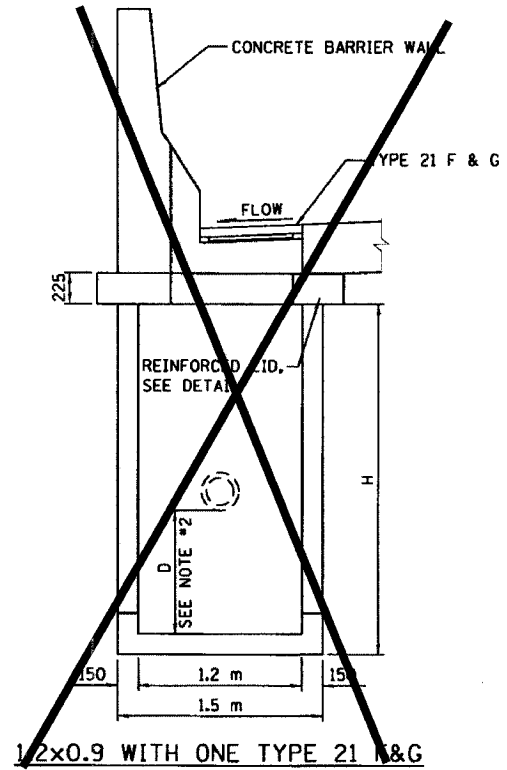
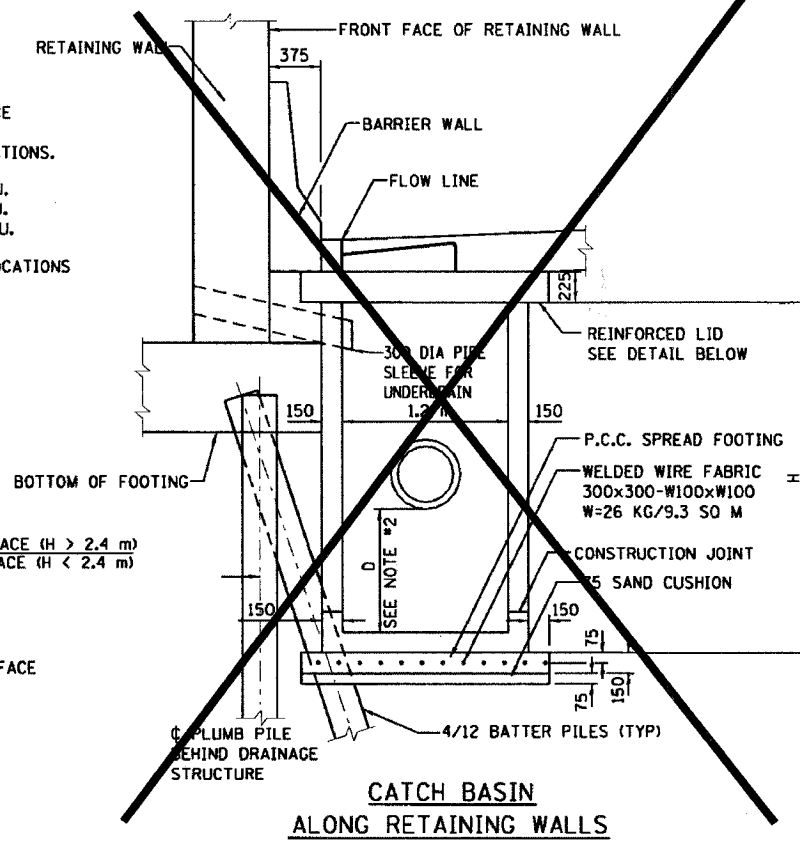
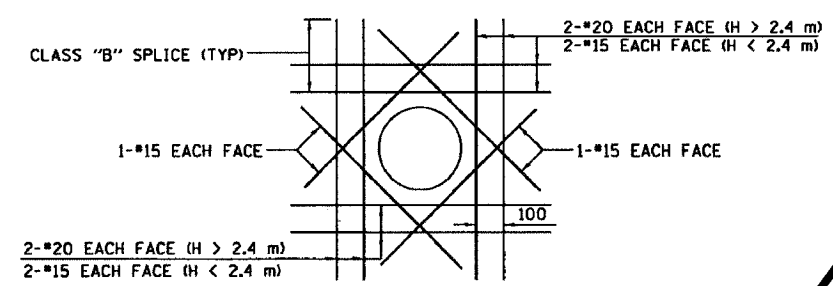
F.A.I. RTE.	SECTION	COUNTY	TOTAL SHEETS	SHEET NO.
8094	2626.2-R-2	COOKLAKE	1207	293
STA.	TO STA.			
FED. ROAD DIST. NO.	ILLINOIS	FED. AID PROJECT		
CONTRACT NO. 62114			INDOT DES. NO. 0100987	

**DRAINAGE STRUCTURES ALONG BARRIER WALL**



AS SHOWN PROVIDE ON EACH FACE ONE (1) 75 DEEP DEPRESSION FOR USE AS UNDERDRAIN CONNECTIONS.  
 USE: 125 DIAMETER FOR 100 P.U.  
 175 DIAMETER FOR 150 P.U.  
 225 DIAMETER FOR 200 P.U.  
 REFER TO PLANS FOR SIZE & LOCATIONS OF UNDERDRAIN

**PIPE UNDERDRAIN CONNECTION DETAIL**



**REINFORCED LID FOR TYPE 20 AND 22 F&G**

REVISIONS	
NAME	DATE
ACE	02/04

ILLINOIS DEPARTMENT OF TRANSPORTATION  
 F.A.I. ROUTE 80/94 (KINGERY EXPRESSWAY)

**CATCH BASIN AND INLET**  
 1.2 x 0.9 AND 1.2 x 1.5  
 FOR H ≤ 2.4

SCALE NONE  
 DATE 09/03

DRAWN BY ACE/CAD  
 CHECKED BY

F:\Project\2010\8094\Contract & Structure Information\Detail\25\_7.dwg Thu Feb 26 07:02:54 2004