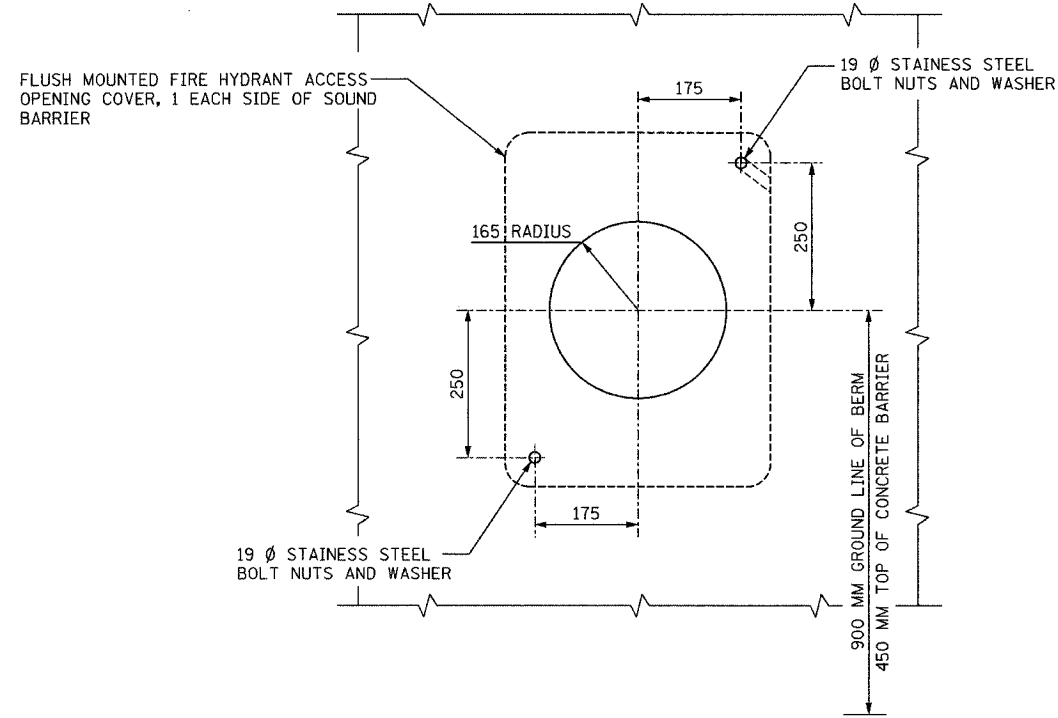
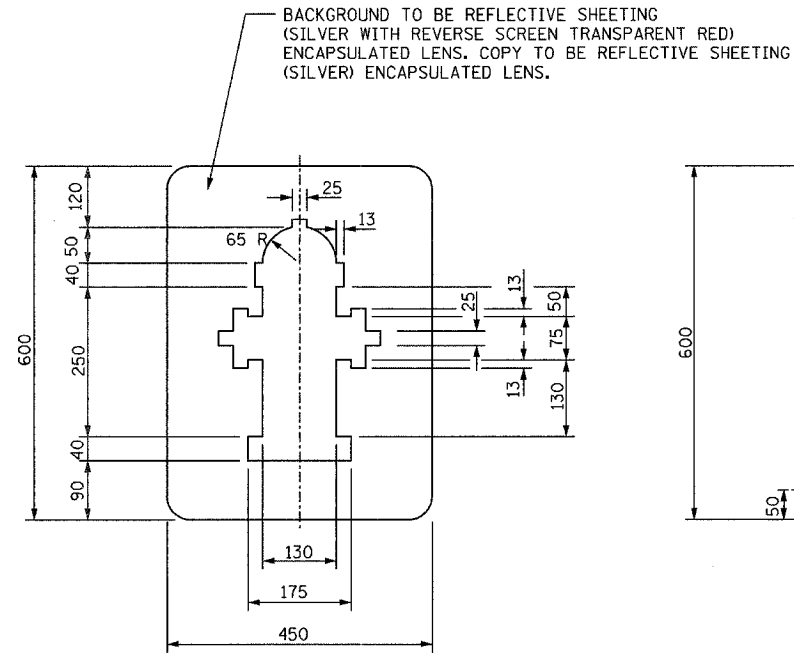


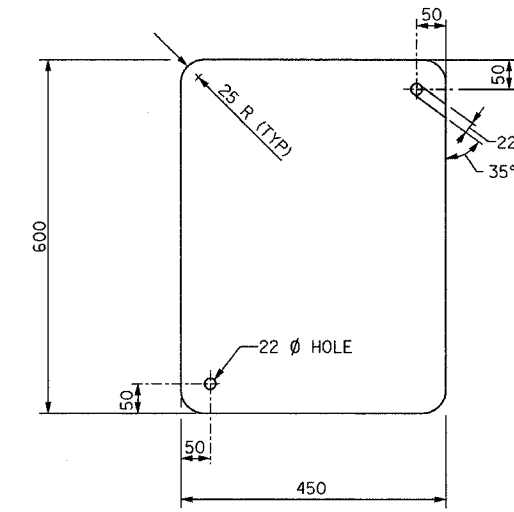
F.A.I. RTE.	SECTION	COUNTY	TOTAL SHEETS	SHEET NO.
80/94	2626.2-R-2	COOK/LAKE	1207	370
STA.	TO STA.			
FED. ROAD DIST. NO.	ILLINOIS	FED. AID PROJECT		
CONTRACT NO. 62114	INDOT DES. NO. 0100987			



FIRE HYDRANT ACCESS HOLE DETAIL

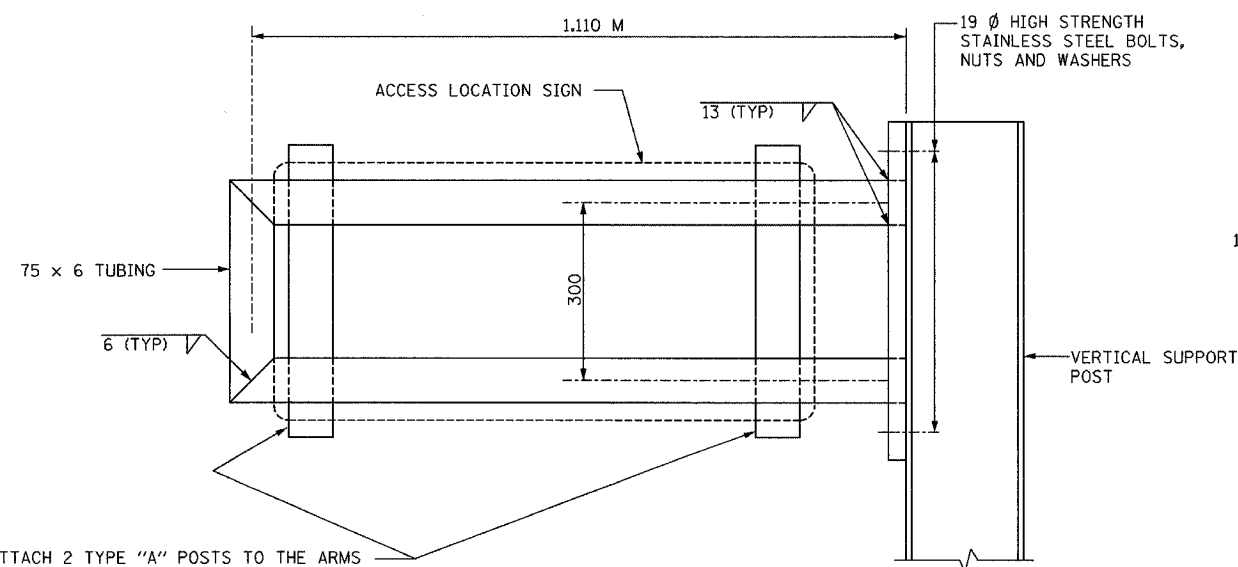


FIRE HYDRANT ACCESS OPENING COVER DETAIL

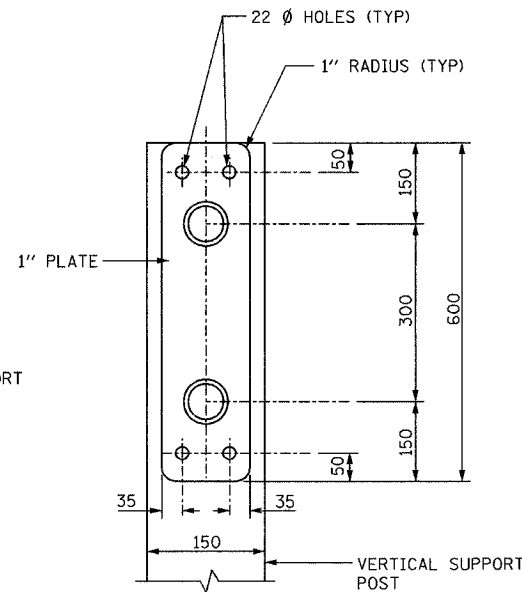


FIRE HYDRANT ACCESS OPENING COVER DETAIL

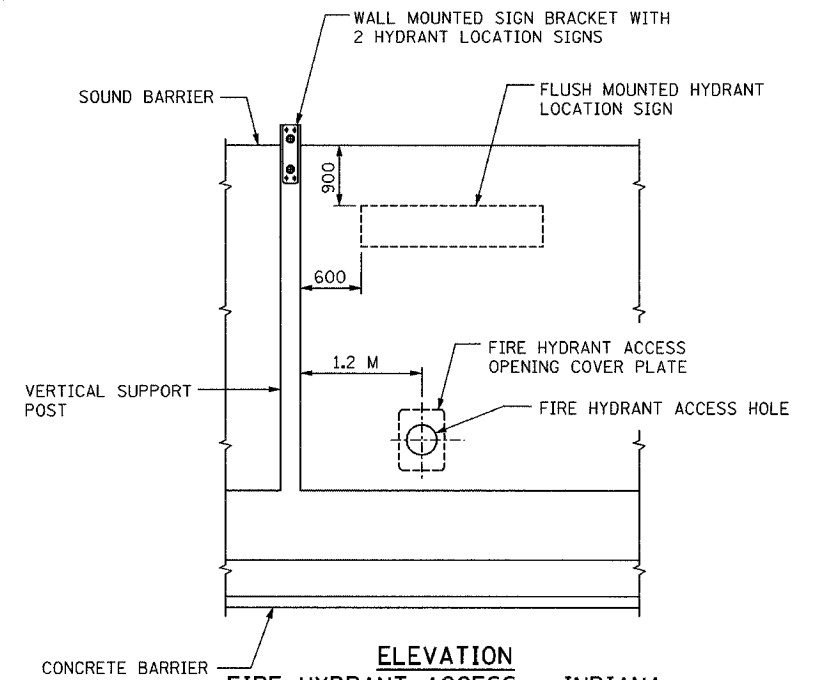
NOTES: TUBING AND PLATES FOR WALL MOUNTED SIGN BRACKET TO BE ALUMINUM 6061-T6 CONFORMING TO ASTM B 221.
FIRE HYDRANT ACCESS OPENING COVER PLATES TO BE ENCAPSULATED LENS SHEET SIGNS (2 MM THICK).
PROVIDE 4.27 M (MIN) CLEARANCE FROM SHOULDER TO BOTTOM OF SIGN.



WALL MOUNTED SIGN BRACKET - INDIANA



SECTION A-A



ELEVATION FIRE HYDRANT ACCESS - INDIANA

ATTACH 2 TYPE "A" POSTS TO THE ARMS W/STAINLESS STEEL U-BOLTS

ALL DIMENSIONS IN MILLIMETERS UNLESS NOTED OTHERWISE

REVISIONS	
NAME	DATE

ILLINOIS DEPARTMENT OF TRANSPORTATION
I-80/94/US 6
KINGERY-BORMAN EXPRESSWAY
BURNHAM ROAD TO US 41

FIRE HYDRANT ACCESS

SCALE NONE
DATE 07/05

DRAWN BY ACE/CAD
CHECKED BY TAE

AMERICAN
CONSULTING ENGINEERS