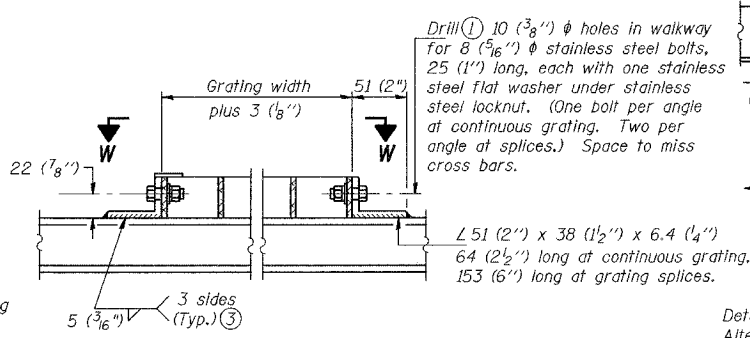
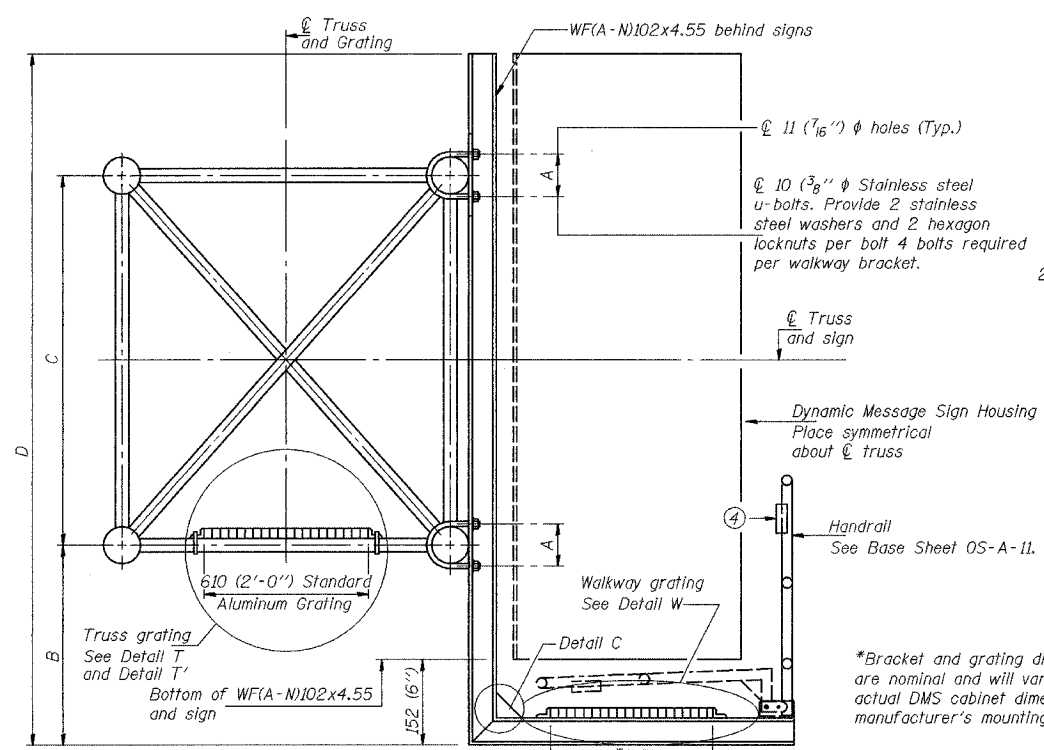


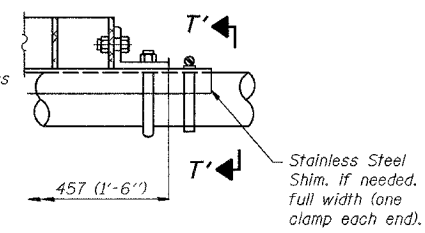
STATE OF ILLINOIS
DEPARTMENT OF TRANSPORTATION

ALL DIMENSIONS IN MILLIMETERS EXCEPT
PAY ITEMS AND UNLESS NOTED OTHERWISE

F.A.I. RTE.	SECTION	COUNTY	TOTAL SHEETS	SHEET NO.
80/94	2626.2-R-2	COOK/LAKE	1207	385
STA.	TO STA.			
FED. ROAD DIST. NO.	ILLINOIS	FED. AID PROJECT		
CONTRACT NO. 62114	INDOT DES. NO. 0100987			

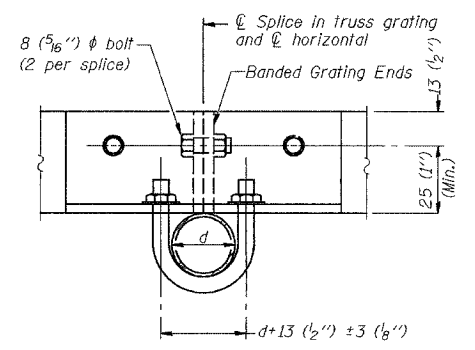


DETAIL W
(Walkway grating)

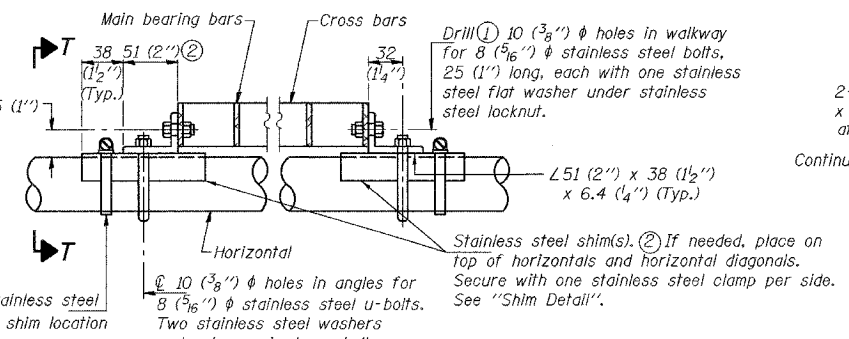


DETAIL T'
(Truss grating splice)

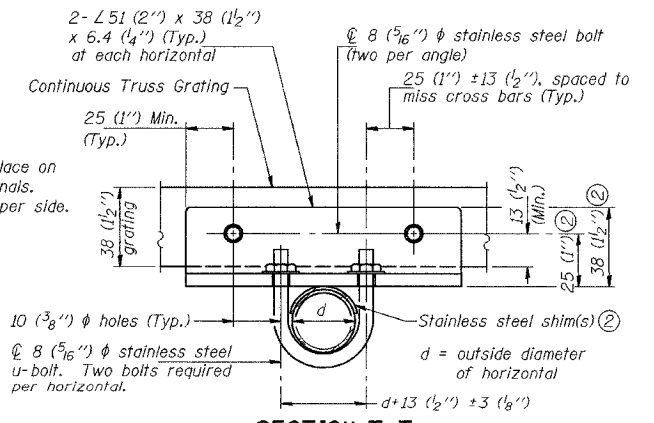
Details not shown same as Detail T. Alternate materials may be used subject to the Engineer's review and approval.



SECTION T'-T'



DETAIL T
(Continuous Truss grating)



SECTION T-T

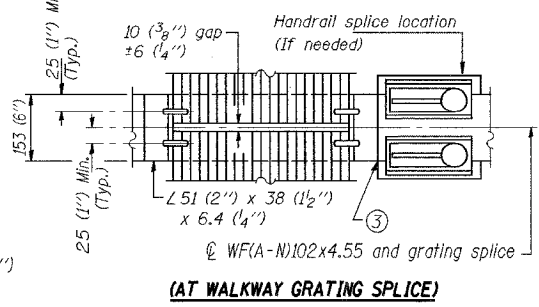
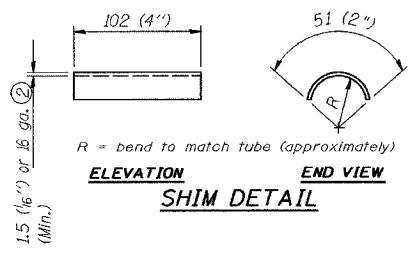
SPECIFICATIONS FOR STANDARD ALUMINUM GRATING

Main Bearing Bars shall be 5 (3/16") x 38 (1 1/2") on 30 (1 3/16") centers and conform to ASTM B211 Alloy 6061-T6.
Cross bars shall be 5 (3/16") x 38 (1 1/2") on 102 (4") centers and conform to ASTM B211 Alloy 6063-T5 or 6061-T6.

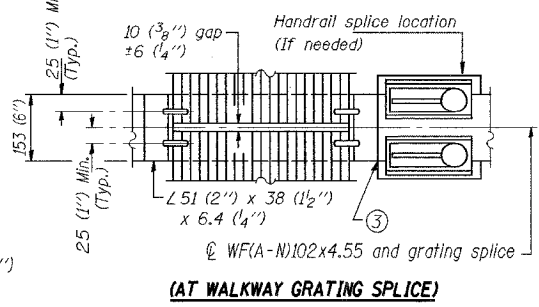
OR

Aluminum Grating with modified "I" sections for main bearing bars shall meet the following requirements:
Main bars shall conform to ASTM B221 Alloy 6061-T6 and have a minimum section modulus equal to 1.16x10³ (0.0705 in.) per bar, a depth of 38 (1 1/2"), spaced on 30 (1 3/16") centers.
Cross bars shall conform to ASTM B221 Alloy 6063-T5 or T-42 and spaced on 102 (4") centers.

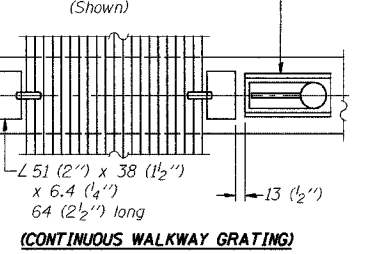
Structure Number	Station	A	B	C	D
ISO161080L163.5	7+948.045	191	0.508 m	2.13 m	2.791 m



SECTION B-B

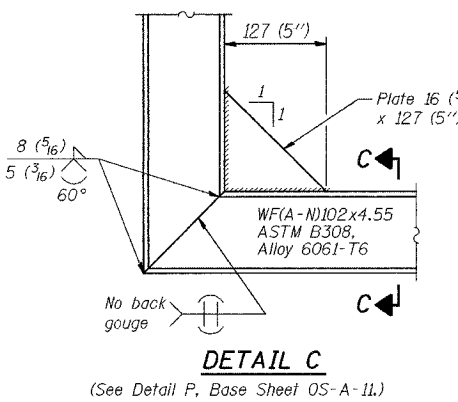


DETAIL C



SECTION C-C

SECTION W-W



DESIGNED	19
CHECKED	EXAMINED
DRAWN	PASSED
CHECKED	

DESIGNED	19
CHECKED	EXAMINED
DRAWN	PASSED
CHECKED	

NUMBER	REVISION	DATE

REVISIONS	
NAME	DATE

ILLINOIS DEPARTMENT OF TRANSPORTATION
I-80/94/US 6
KINGERY-BORMAN EXPRESSWAY
BURNHAM ROAD TO US 41
OVERHEAD SIGN STRUCTURES
ALUMINUM WALKWAY DETAILS

SCALE NONE
DATE 07/05
DRAWN BY
CHECKED BY

