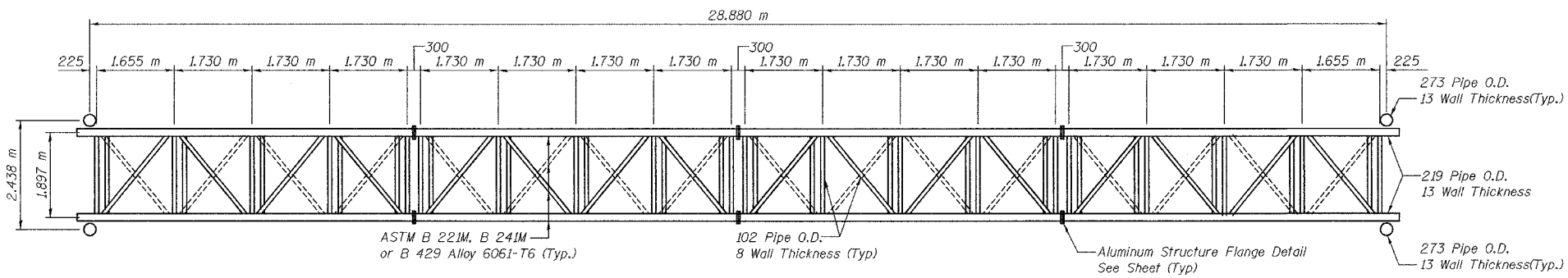
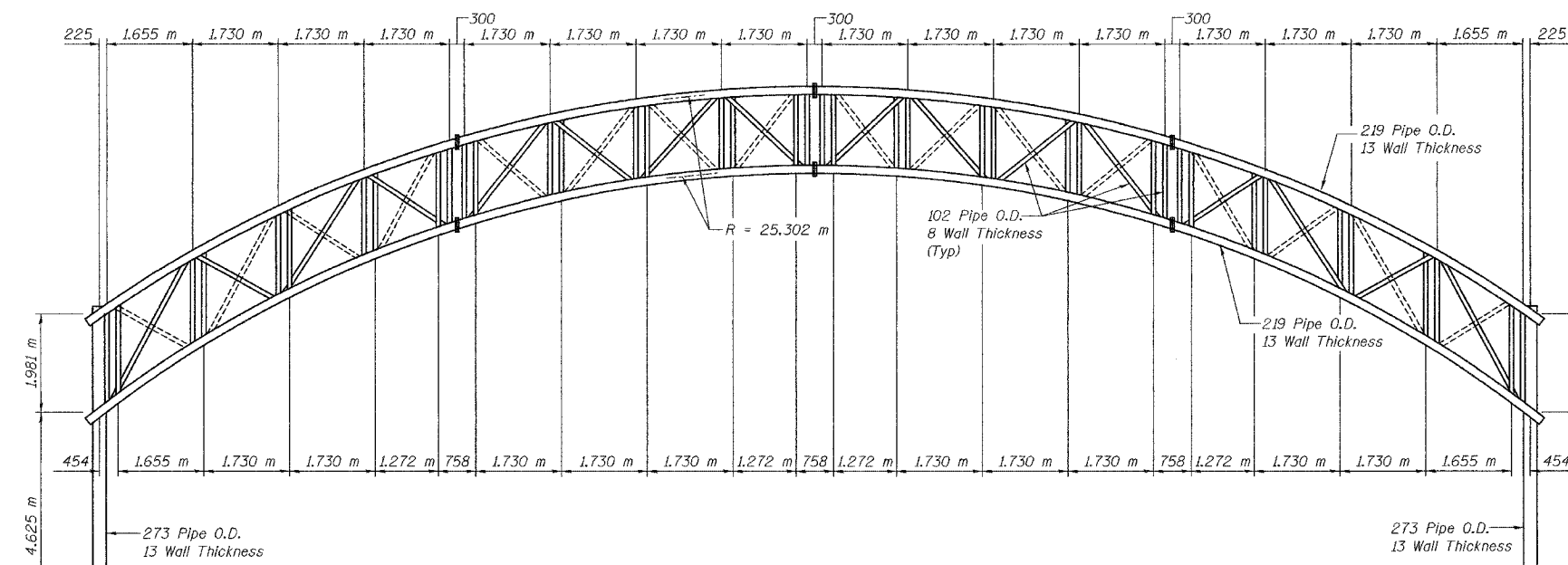


ROUTE NO.	SECTION	COUNTY	SHEET	TOTAL SHEETS
P.A.1	28242-R-2	LAKE COUNTY, INDIANA	1207	399

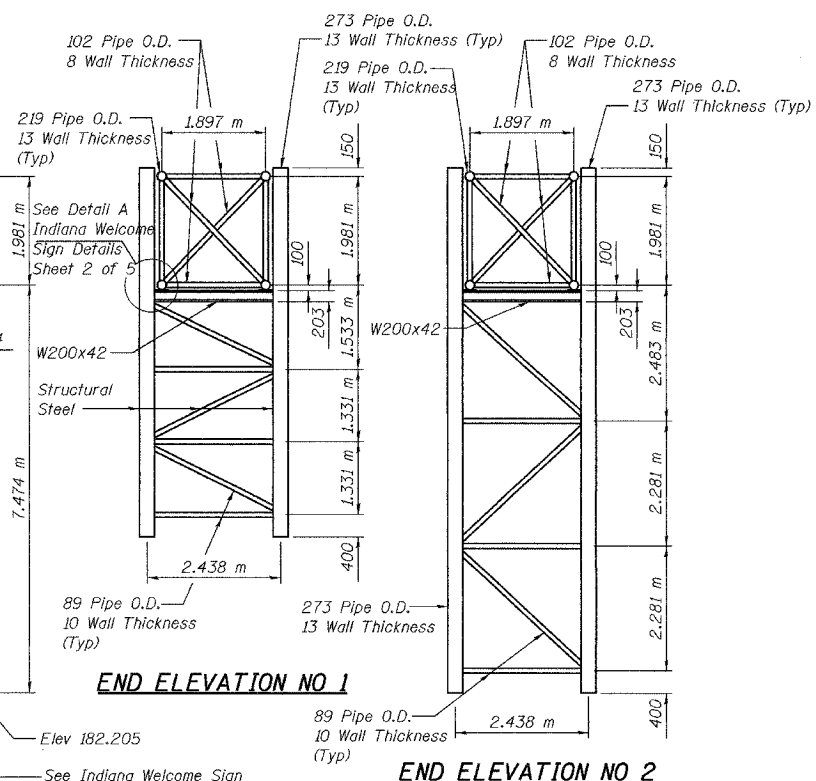
CONTRACT NO. 62114 INDOT DES. NO. 0100987



PLAN



ELEVATION
(Looking East)



END ELEVATION NO 1

END ELEVATION NO 2

See Indiana Welcome Sign Details - Sheet 4 of 5

DESIGNED	BPS
CHECKED	KFA
DRAWN	MJB
CHECKED	GSP

ILLINOIS DEPARTMENT OF TRANSPORTATION
1-80/94/US 6
KINCERY-BORMAN EXPRESSWAY
BURNHAM ROAD TO US 41
INDIANA WELCOME SIGN DETAILS
SHEET 1 OF 5

SCALE NTS
DATE 07/05
DRAWN BY ACE/CAD
CHECKED BY



Sign Structures & Steelwork, Inc. 311/471-2000 FAX 311/471-2074