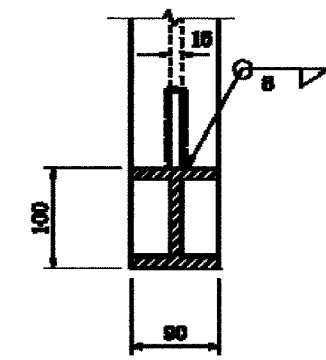
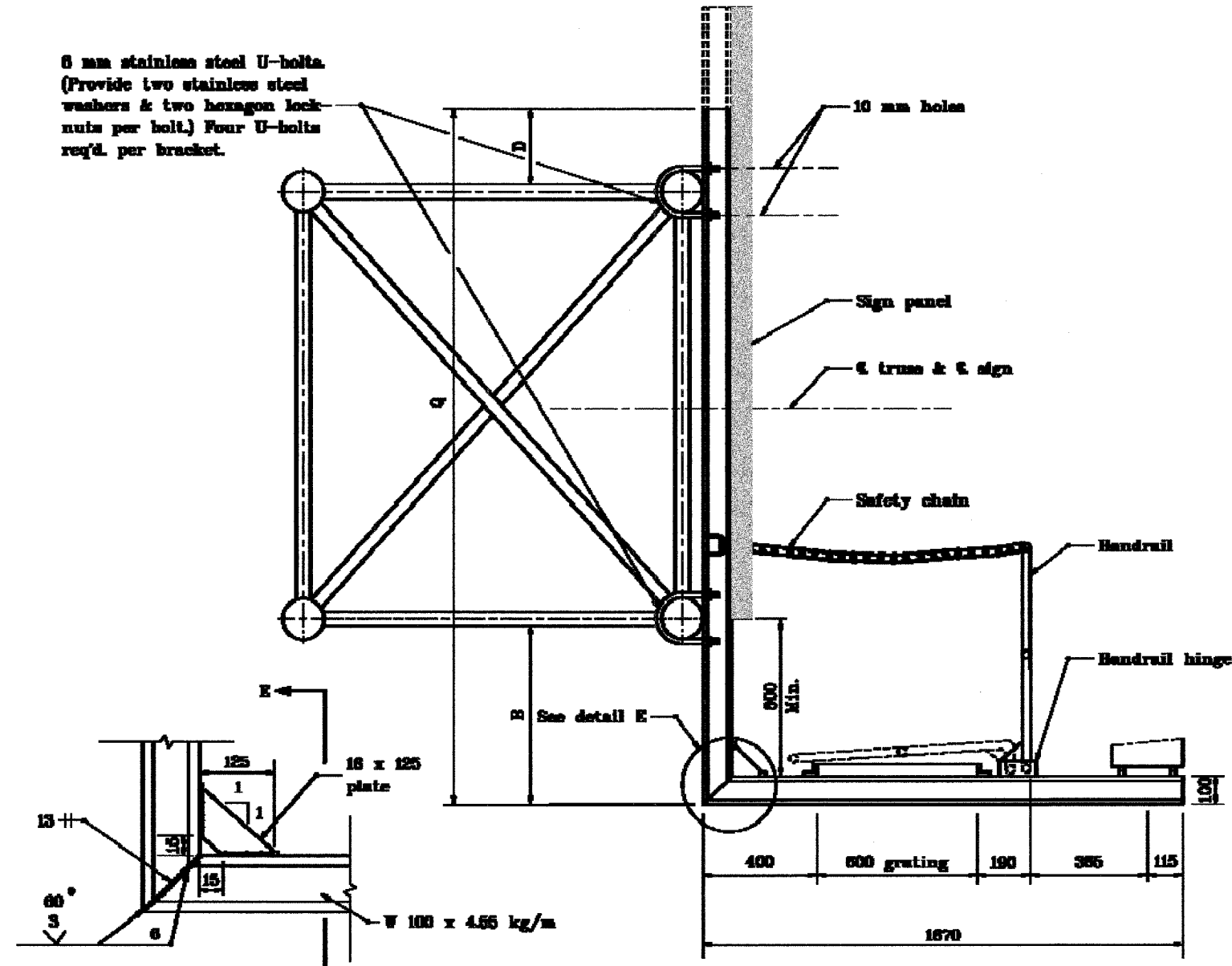


F.A.I. RTE.	SECTION	COUNTY	TOTAL SHEETS	SHEET NO.
80/94	2626.2-R-2	COOK/LAKE	1207	435
STA.		TO STA.		
FED. ROAD DIST. NO.		ILLINOIS FED. AID PROJECT		
CONTRACT NO. 62114		INDOT DES. NO. 0100987		

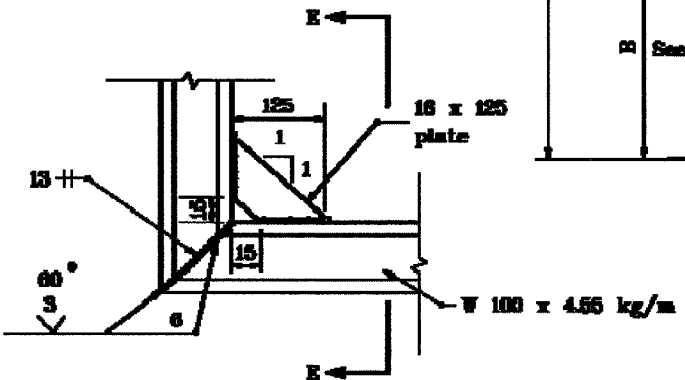
GENERAL NOTES

1. Dimensions B, D and Q to be determined by contractor to fit signs involved.
2. Sign panel shall be placed symmetrically about C truss & sign.

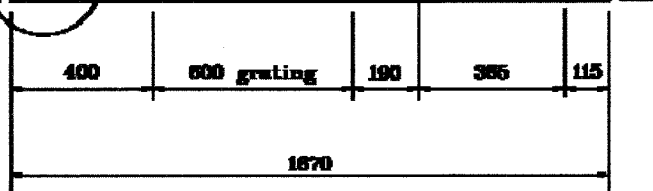
6 mm stainless steel U-bolts.
(Provide two stainless steel washers & two hexagon lock nuts per bolt.) Four U-bolts req'd. per bracket.



SECTION E-E



DETAIL E



SECTION A-A

All dimensions are in mm unless otherwise specified.

INDIANA DEPARTMENT OF TRANSPORTATION

SIGN TRUSS DETAILS

SEPTEMBER 2001

STANDARD DRAWING NO. 602-SNWW-03

Anthony L. Brumback 2-01-01
REGISTERED PROFESSIONAL ENGINEER

John P. Bond 2-01-01
REGISTERED PROFESSIONAL ENGINEER