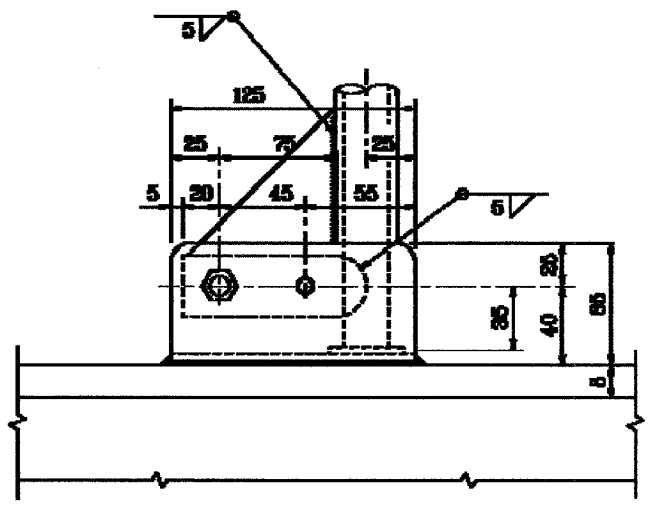
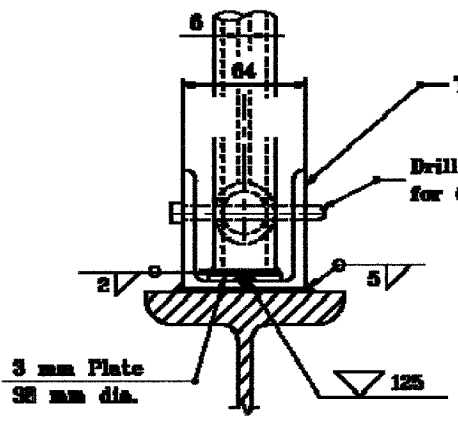


| | | | | |
|---------------------|------------|------------------------|------------------|-----------|
| F.A.I. RTE. | SECTION | COUNTY | TOTAL SHEETS | SHEET NO. |
| 80/94 | 2626.2-R-2 | COOK/LAKE | 1207 | 437 |
| STA. | | TO STA. | | |
| FED. ROAD DIST. NO. | | ILLINOIS | FED. AID PROJECT | |
| CONTRACT NO. 62114 | | INDOT DES. NO. 0100987 | | |



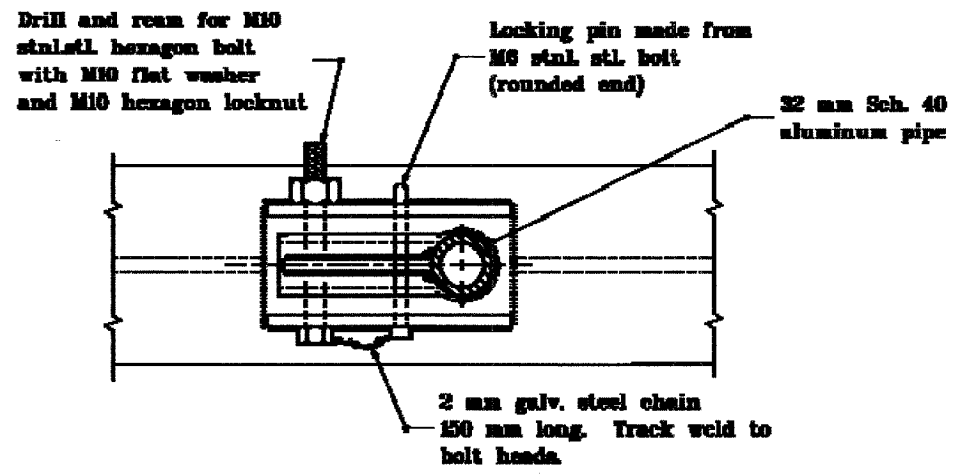
SIDE ELEVATION



FRONT ELEVATION

Two - L 64 x 32 x 6.4, 125 mm long
 Drill 6 mm hole for 6 mm locking pin

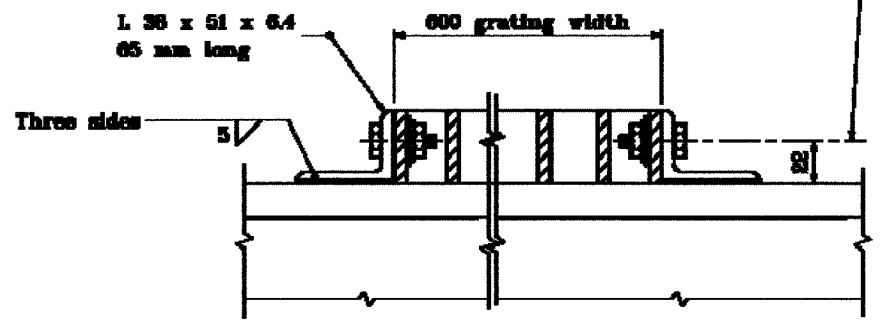
Field drill 12 mm holes for M10 x 25 stnl. stl. hexagon bolts with M10 flat washer, M10 lock washer and M10 hexagon nut



PLAN

DETAILS OF HANDRAIL HINGE

Drill and ream for M10 stnl. stl. hexagon bolt with M10 flat washer and M10 hexagon locknut
 Locking pin made from M6 stnl. stl. bolt (rounded end)
 32 mm Sch. 40 aluminum pipe
 2 mm galv. steel chain 150 mm long. Track weld to bolt heads



GRATING TIE DOWN
 (Two req'd per walkway bracket)

All dimensions are in mm unless otherwise specified.

INDIANA DEPARTMENT OF TRANSPORTATION
**SIGN WALKWAY
 HANDRAIL DETAILS**
 SEPTEMBER 2001
 STANDARD DRAWING NO. 602-SNWW-05

| | |
|--|---|
| | <i>/s/ Anthony L. Emanuel</i> 9-01-01 REGISTERED PROFESSIONAL ENGINEER DATE |
| | <i>/s/ Firm Stamp</i> 9-01-01 CHECKED BY: DATE |